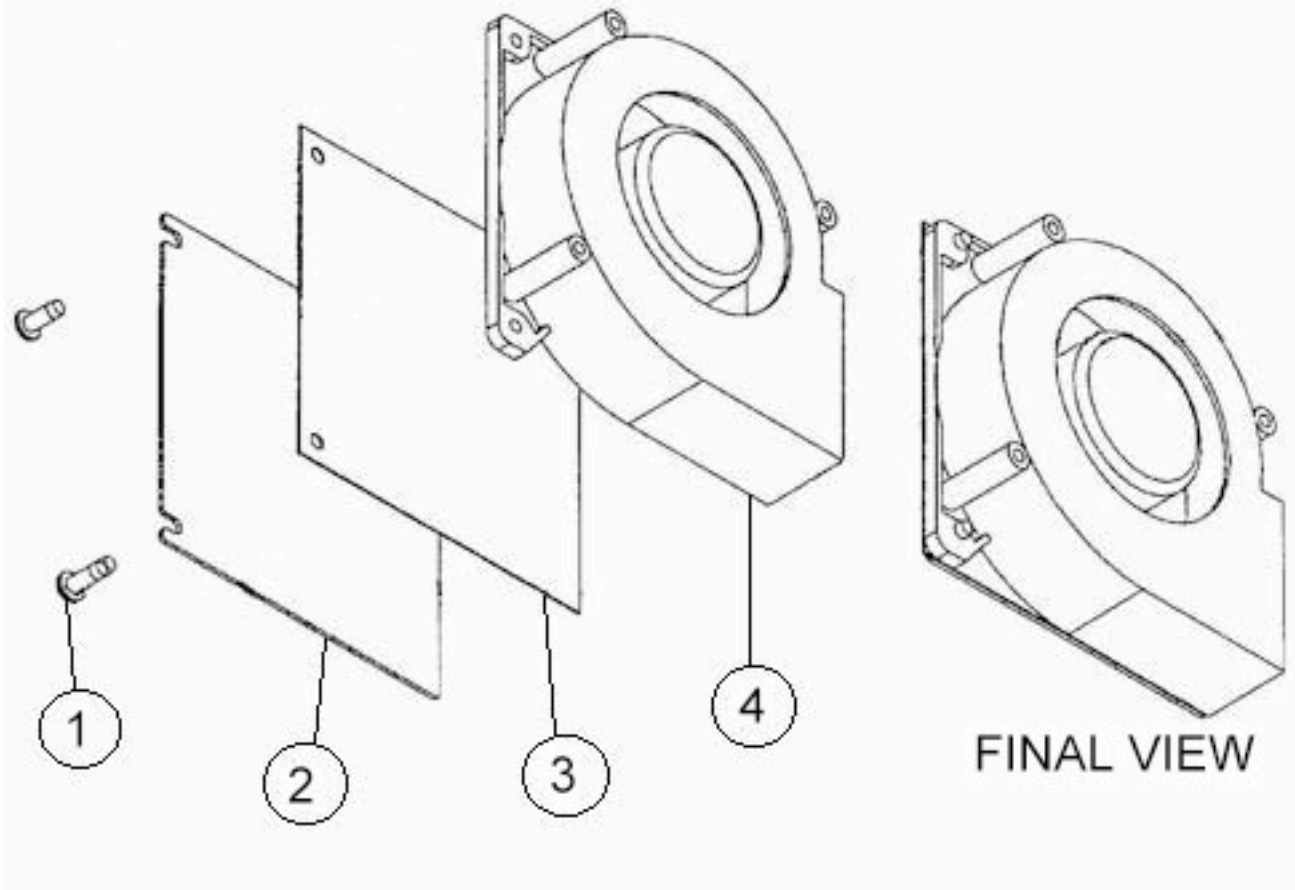


Studio Beam® Support



- 1. 90709062 Screw, Phil Pan #10 x 1/2
- 2. 80071442 Bracket, Blower Cover
- 3. 90411051 Insulator, Blower Studio Beam
- 4. 80270015 Fan, Centrifugal Blower Assy. Studio Beam