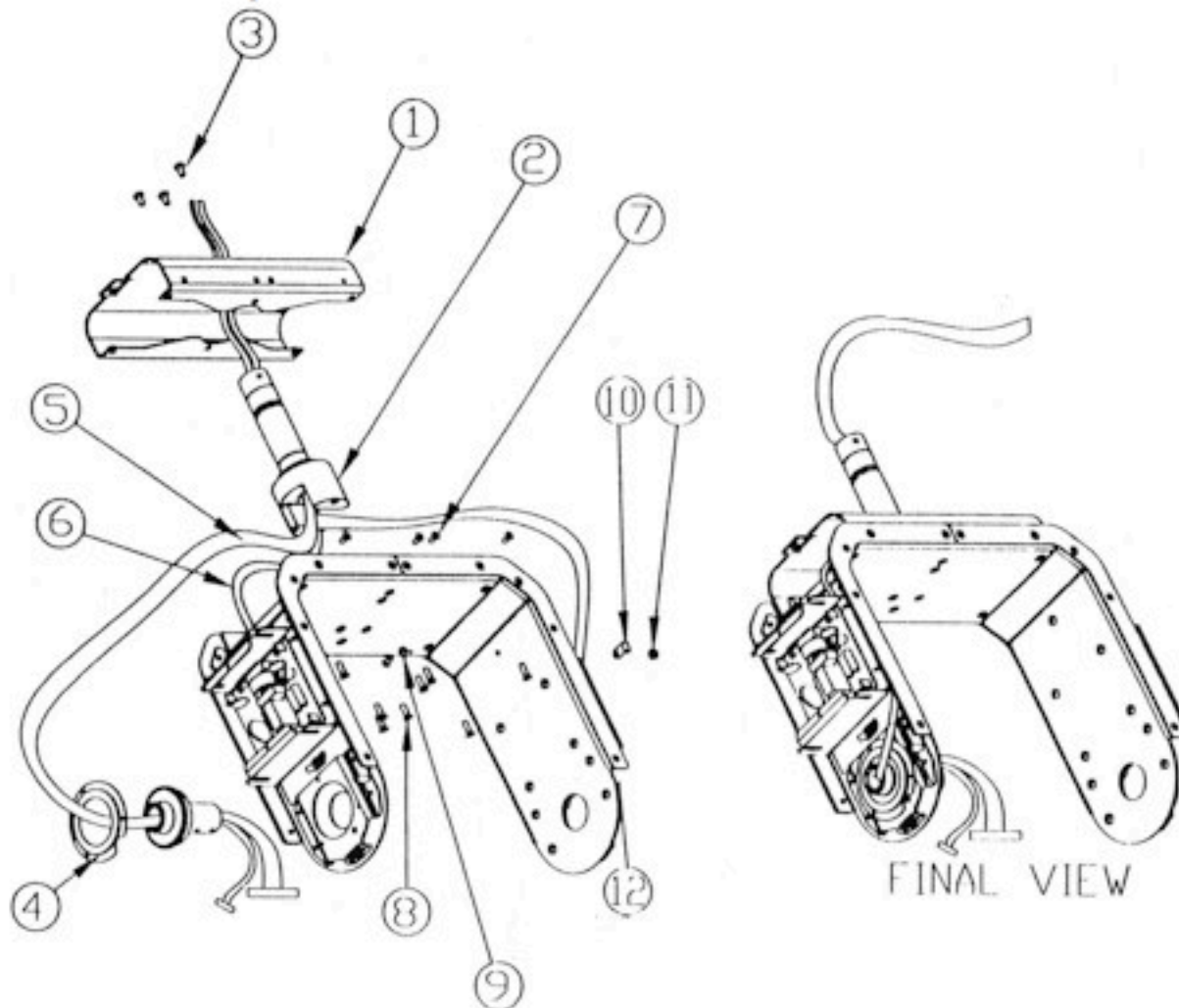


575 Series Yoke Pan Assy.



- | | | |
|-----|----------|--------------------------------------|
| 1. | 80071239 | Bracket, Top Yoke |
| 2. | 99260259 | Shaft, Pan Tube |
| 3. | 90709020 | Screw, Phil Pan 10 - 32 x 3/8 |
| 4. | 99260250 | Cap, Bearing Support |
| 5. | 80470161 | Wire Harness, Main Electrical Board |
| 6. | 80470150 | Wire Harness, Ignitor |
| 7. | 90708005 | Screw, Socket Flathead 8 - 32 x 3/8 |
| 8. | 90708009 | Screw, Socket Flathead 10 - 32 x 1/2 |
| 9. | 90709121 | Screw, Phil Truss Head 8 - 32 x 3/8 |
| 10. | 90410023 | Cable Clamp, 3/16" Nylon |
| 11. | 90703023 | Nut, Keps 8 - 32 |
| 12. | 99330007 | Tie Wrap |