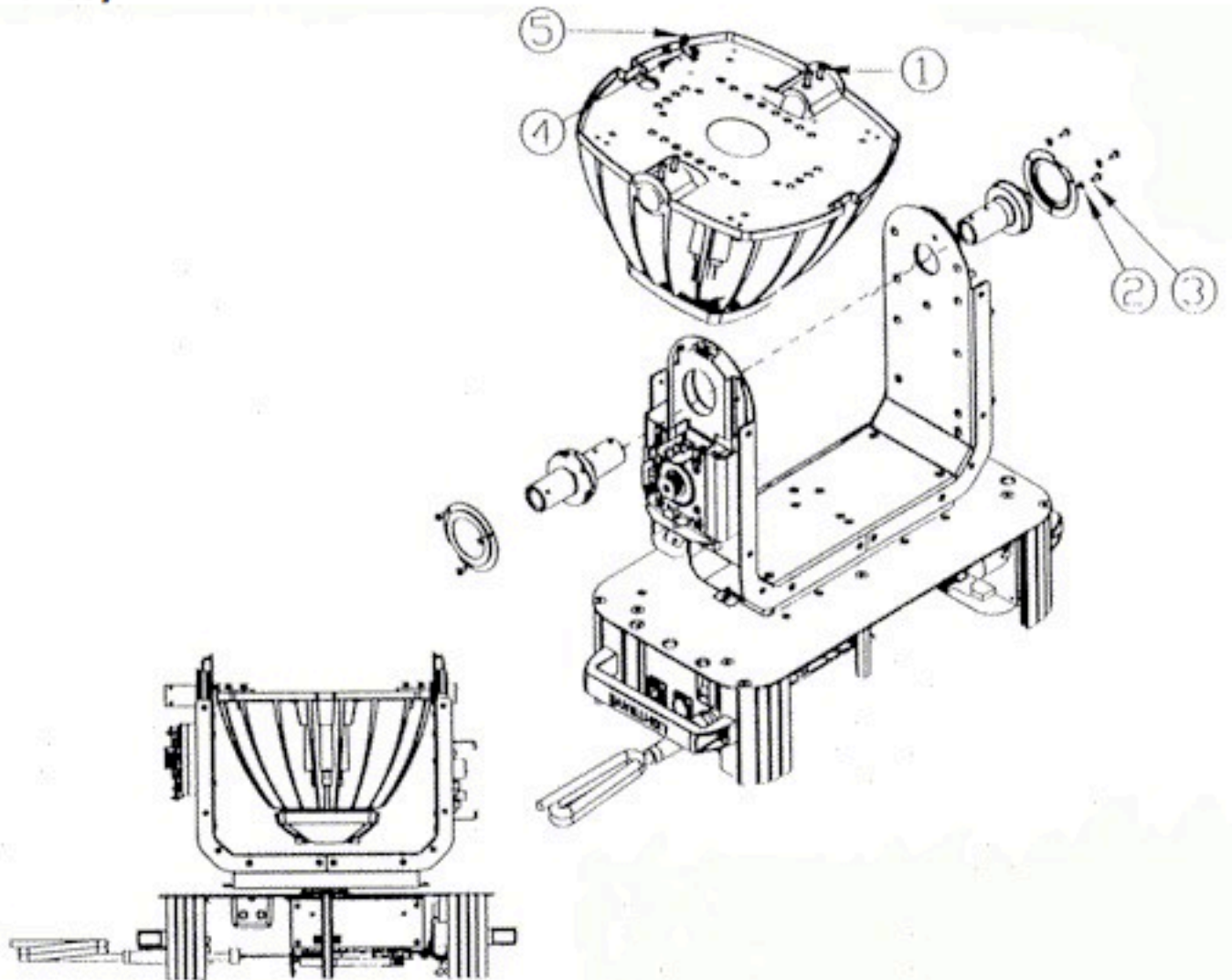


575 Series

Tilt Assy.



FINAL VIEW

- | | | |
|----|----------|------------------------------------|
| 1. | 90707033 | Socket Cap 10 - 32 x 1/2 BZ Patch |
| 2. | 90706017 | Washer, Lock #8 Int Tooth |
| 3. | 90709043 | Screw, Phil Pan #8 x 3/8 |
| 4. | 85000082 | Strain Relief, Aluminum With Wings |
| 5. | 90703005 | Keps Nut, 6 - 32 |