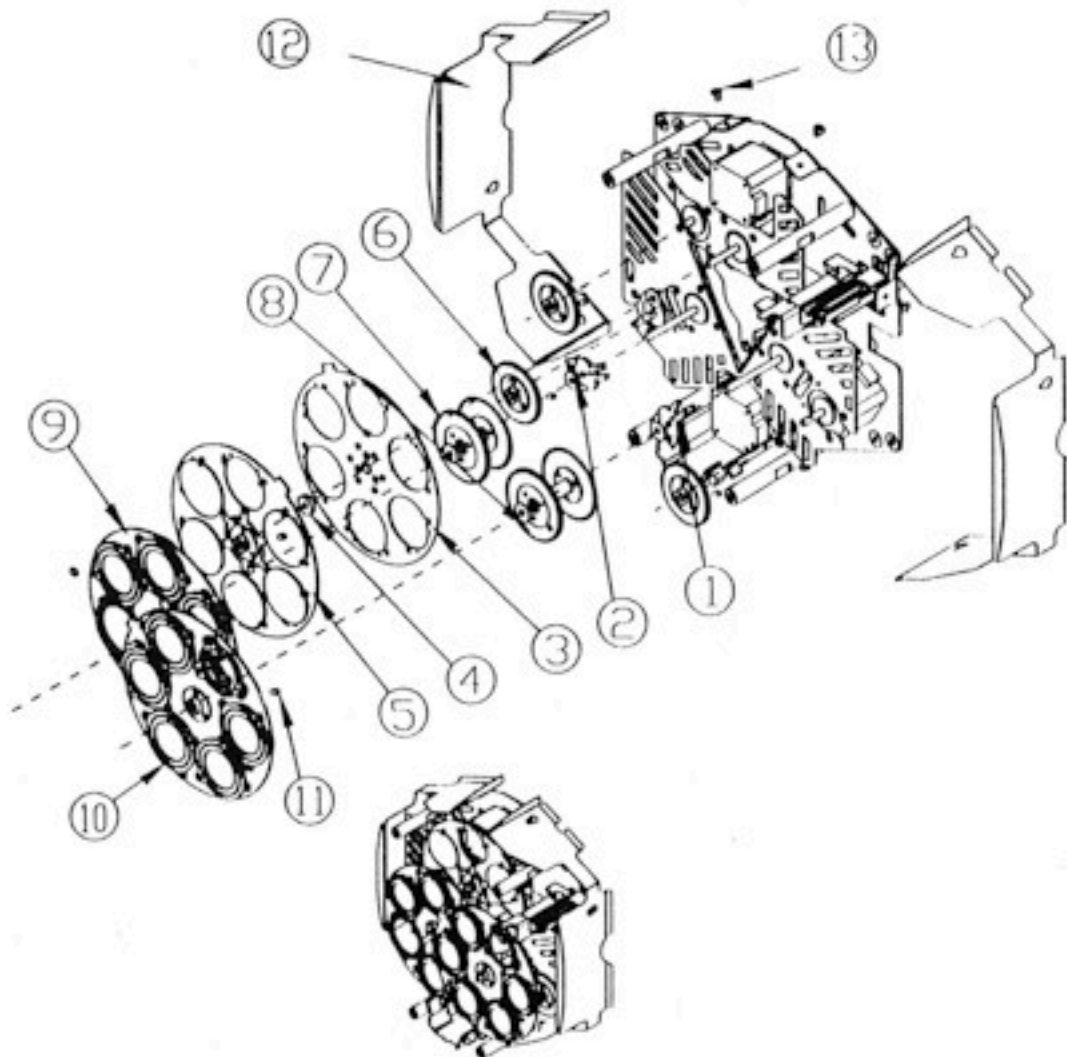


575 Series

Spot: Optical Module Wheels



FINAL VIEW

- | | | |
|-----|----------|--------------------------------|
| 1. | 80140026 | Damper, Motor Brake Assy. |
| 2. | 90706083 | Washer, Thrust .050 |
| 3. | 80190041 | Wheel, Color Assy. Lower |
| 4. | 90706086 | Washer, Thrust .140 |
| 5. | 80190040 | Wheel, Color Assy. Upper |
| 6. | 99430018 | Gear, 45 Tooth With Hub |
| 7. | 99430019 | Gear, Drive Assy. Litho Lower |
| 8. | 99430020 | Gear, Drive Assy. Litho Upper |
| 9. | 80190038 | Wheel, Litho Assy. Lower |
| 10. | 80190039 | Wheel, Litho Assy. Upper |
| 11. | 90707090 | Set Screw, Socket 8 - 32 x 1/8 |
| 12. | 80071243 | Light Block, Optical Module |
| 13. | 90709024 | Screw, Phil Pan #8 x 1/4 |