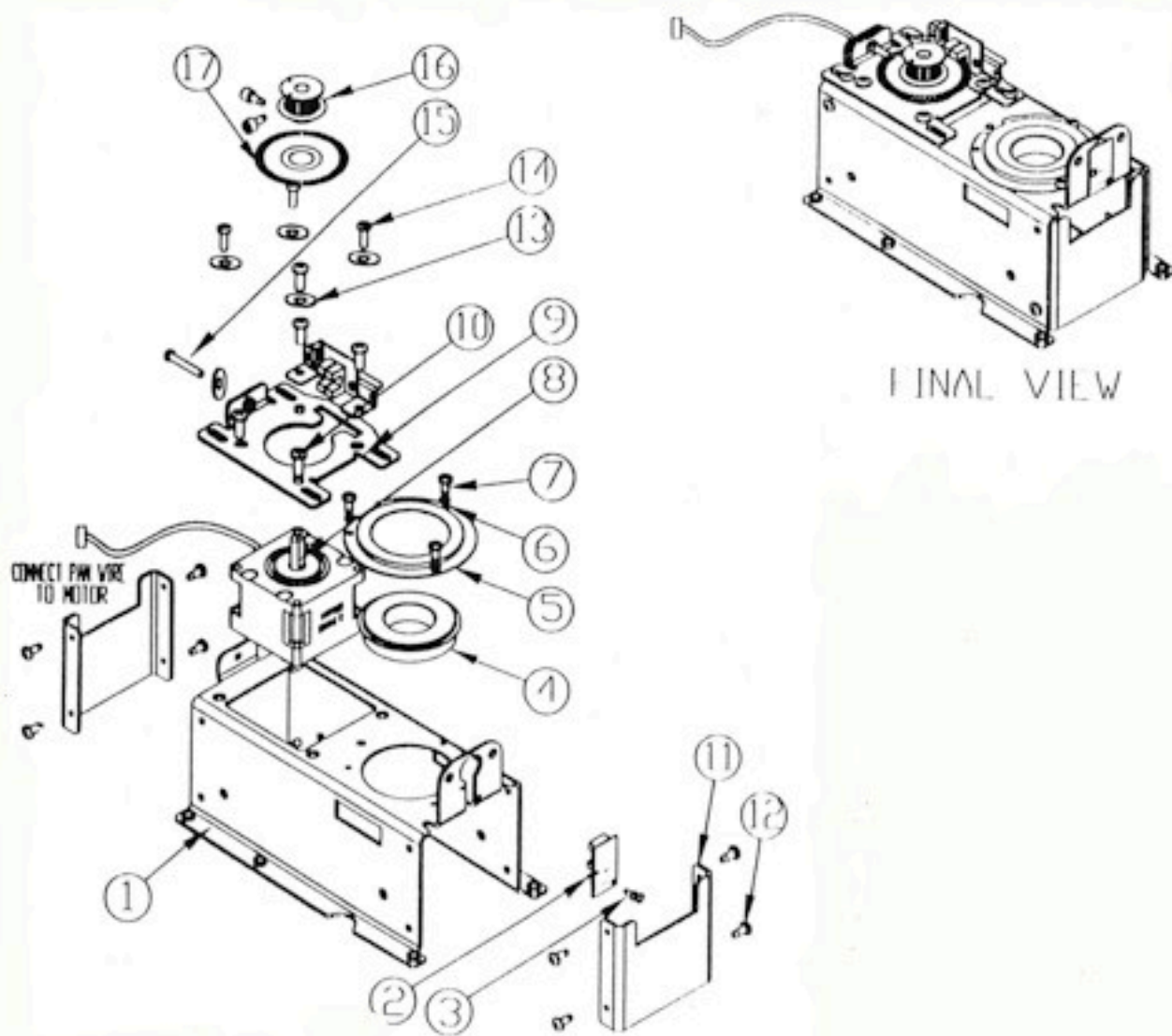


# 575 Series

## Pan Assy.



- |     |           |                                     |
|-----|-----------|-------------------------------------|
| 1.  | 99260262  | Bracket, Pan Bearing                |
| 2.  | 80040017T | Board, Sensor Pan/Tilt              |
| 3.  | 90709030  | Screw, Phil Pan #4 x 1/4            |
| 4.  | 90719068  | Bearing                             |
| 5.  | 99260250  | Cap, Bearing Support                |
| 6.  | 90706017  | Lock Washer, #8 Int Tooth           |
| 7.  | 90709043  | Screw, Phil Pan #8 x 3/8            |
| 8.  | 99270028  | Motor                               |
| 9.  | 85000184  | Plate, Pan/Tilt Motor               |
| 10. | 90709124  | Screw, Phil Pan 10 - 14 x 3/8       |
| 11. | 99080065  | Plate, Support Pan Motor Bracket    |
| 12. | 90709024  | Screw, Phil Pan #8 x 1/4            |
| 13. | 90709090  | Screw, Phil Pan 8 - 32 x 1/2        |
| 14. | 90706012  | Washer, Flat #10                    |
| 15. | 90704023  | Bolt, Hex 8 - 32 x 5/8              |
| 16. | 80150010  | Gear with Encoder (included screws) |
| 17. | 99180029  | Encoder wheel                       |