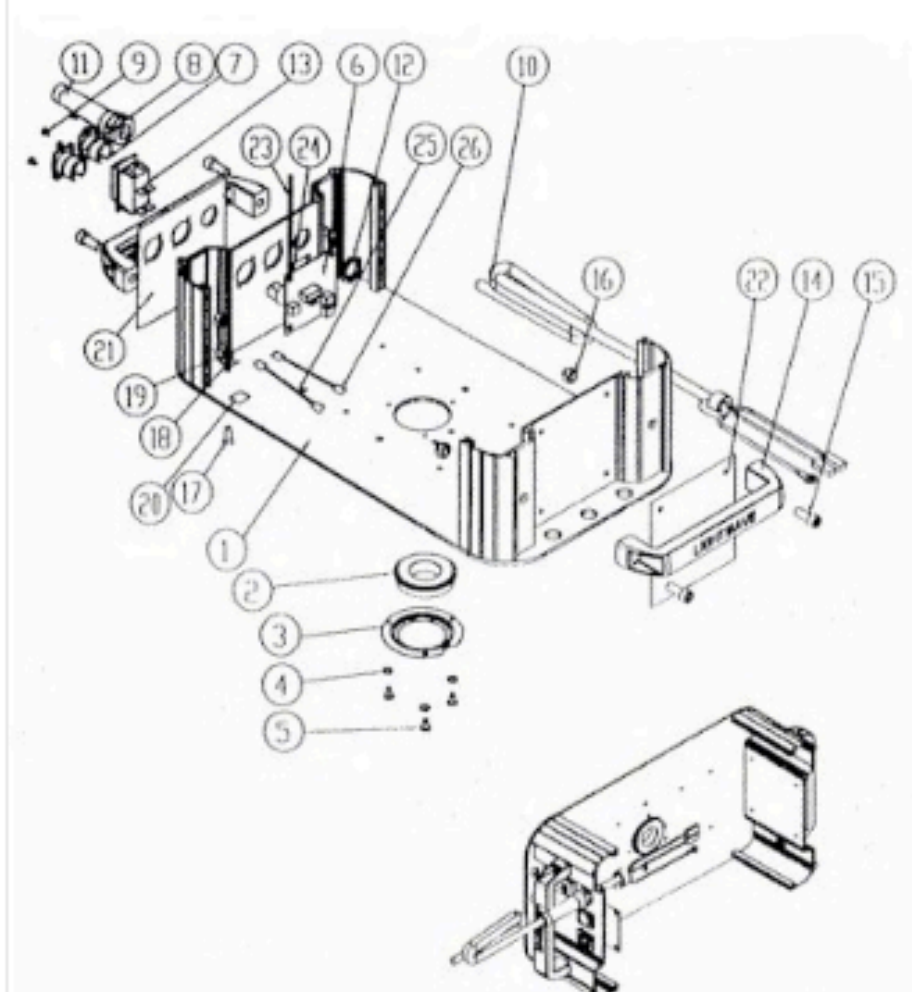


# 575 Series

## Box Exterior



1. 80071218 Top Box Assy.
2. 90719007 Bearing, Tech 6006-2RSNR StC
3. 99260250 Cap, Bearing Support
4. 90709043 Screw, Phil Pan #8 x 3/8 Type B SS
5. 90706017 Washer, Lock #8 Int Tooth
6. 80010062 Board, Link Comm
7. 90404002 Connector, DHNF Male Housing (XLR)
8. 90404001 Connector, DHNF Female Housing (XLR)
9. 90711010 Screw, Phil Flat #4 x 1/4
10. 80470181 Cord, AC 16 ga.
11. 90414008 Strain Relief, Powergrip
12. 90703030 Nut, 1/2 NPT Strain Relief
13. 90405140 Breaker, Circuit 16 Amp
14. 90720006 Handle, Large W/Logo
15. 90707057 Socket Cap 5/16-18 x 3/4 Nickel Alloy
16. 90703033 Nut, Lock 5/16-18 Nylon Insert
17. 90711033 Screw, Phil Flat 8-32 x 5/8
18. 90408010 Terminal Block, Molex
19. 90703023 Nut, Keps 8-32
20. 99410036 Label ETL Side
21. 99310280 Label, Side Data In/Out
22. 99410006 Label, CE/UL Ground Wire
23. 80470116 Cable, Link Comm
24. 99330007 Tie Wrap
25. 80470125 Wire, Ground Logic PCB
26. 80470128 Wire, Ground Lamp Power Supply