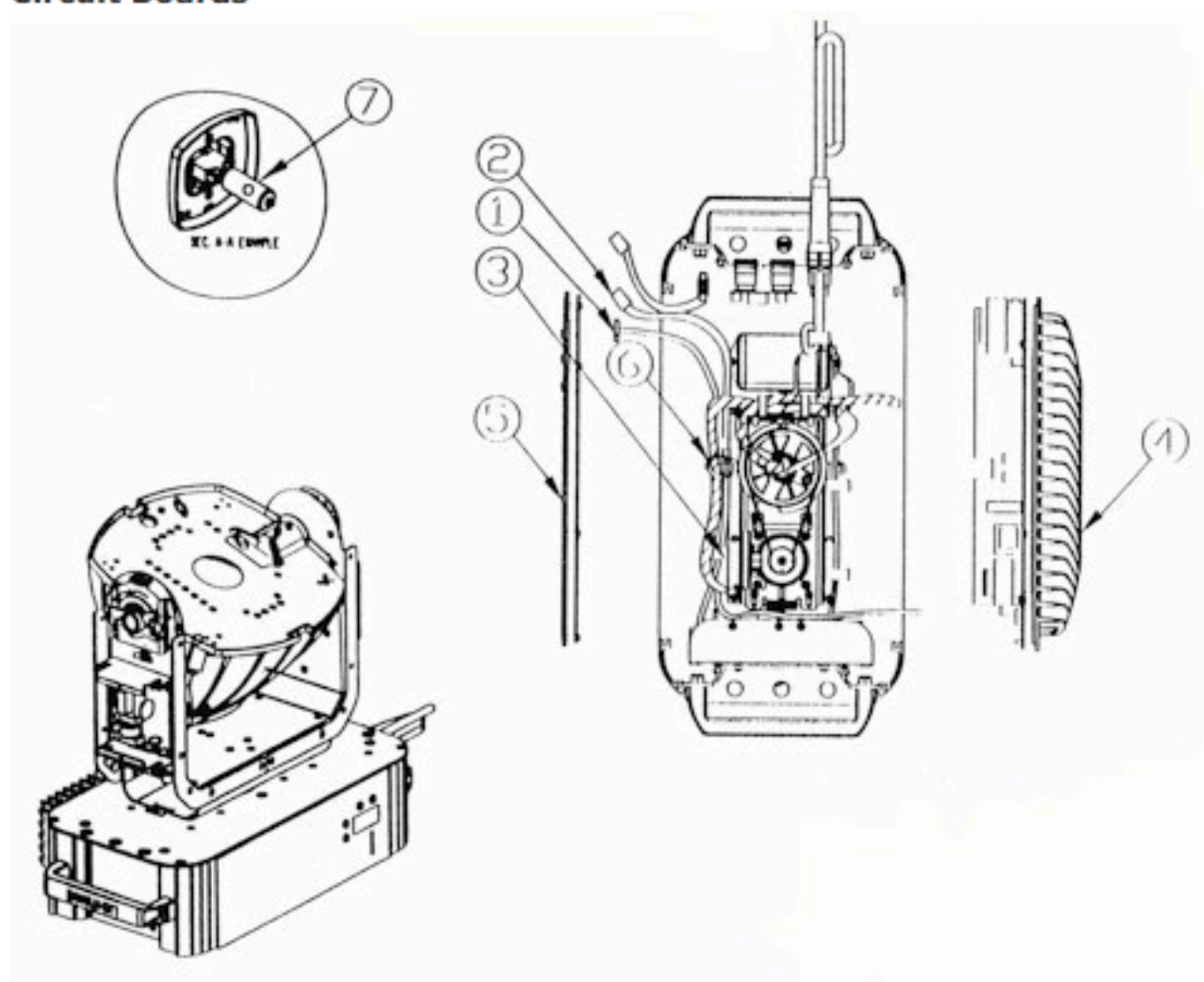


575 Series Circuit Boards



- | | | |
|----|----------|-----------------------------|
| 1. | 80470117 | Cable, Lamp-Logic |
| 2. | 80470118 | Cable, 40V Motor Power |
| 3. | 90701082 | Clip, Snap |
| 4. | 80050034 | Lamp Switching Power Supply |
| 5. | 80010124 | Board, Logic |
| 6. | 99330007 | Tie Wrap |
| 7. | 55030052 | Lamp, MSR 575/2 |