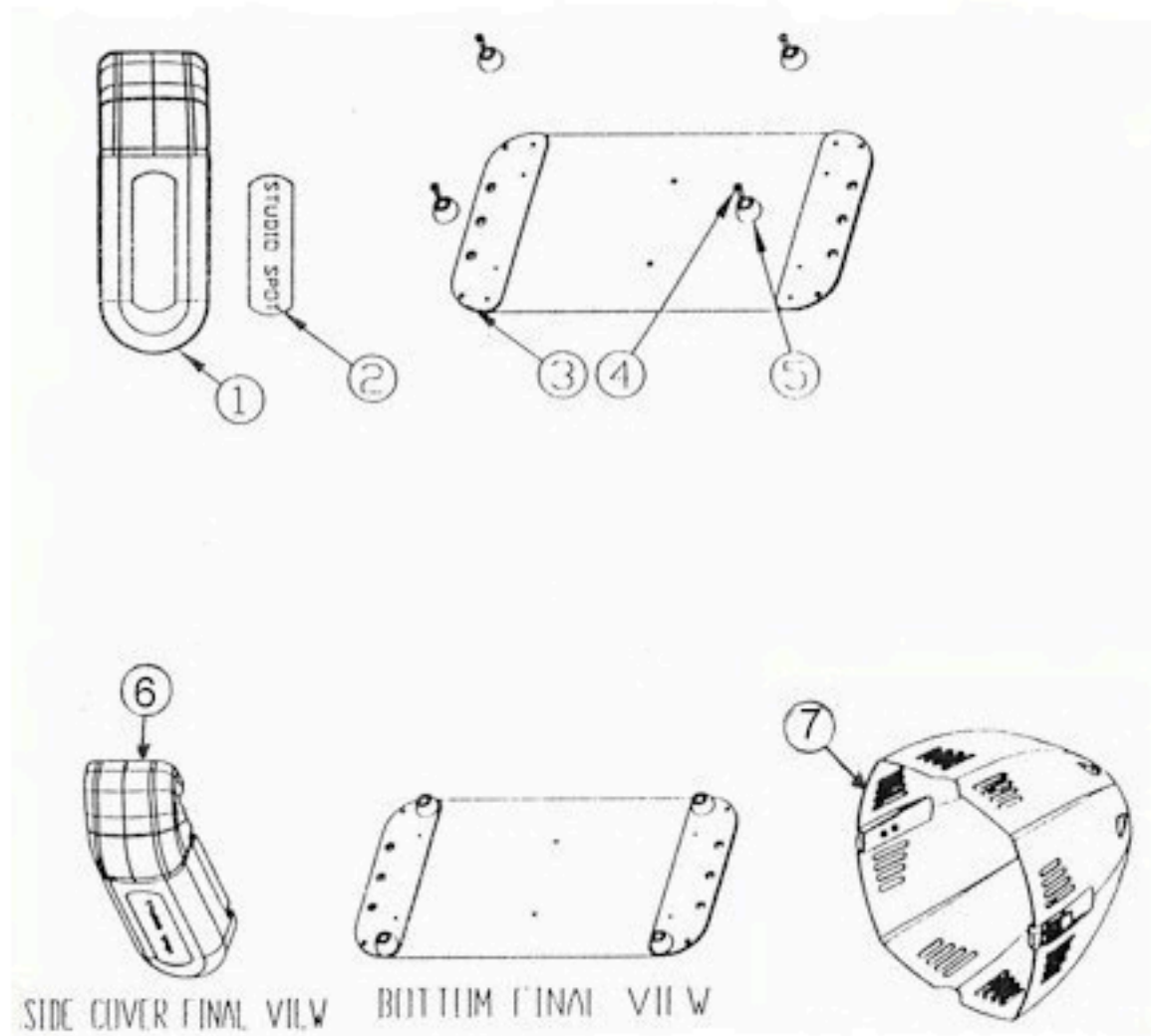


575 Series

Bezel, Box Cover, Yoke Arm Cover



- | | | |
|----|----------|---------------------------|
| 1. | 99240017 | Yoke Arm Cover |
| 2. | 99310312 | Label, Yoke Arm 575 |
| 3. | 80070366 | Cover With Support |
| 4. | 90709062 | Screw, Phil Pan #10 x 1/2 |
| 5. | 90410089 | Foot, Rubber |
| 6. | 99240021 | Yoke Arm Cover Assy. |
| 7. | 80450056 | Bezel Assy. |