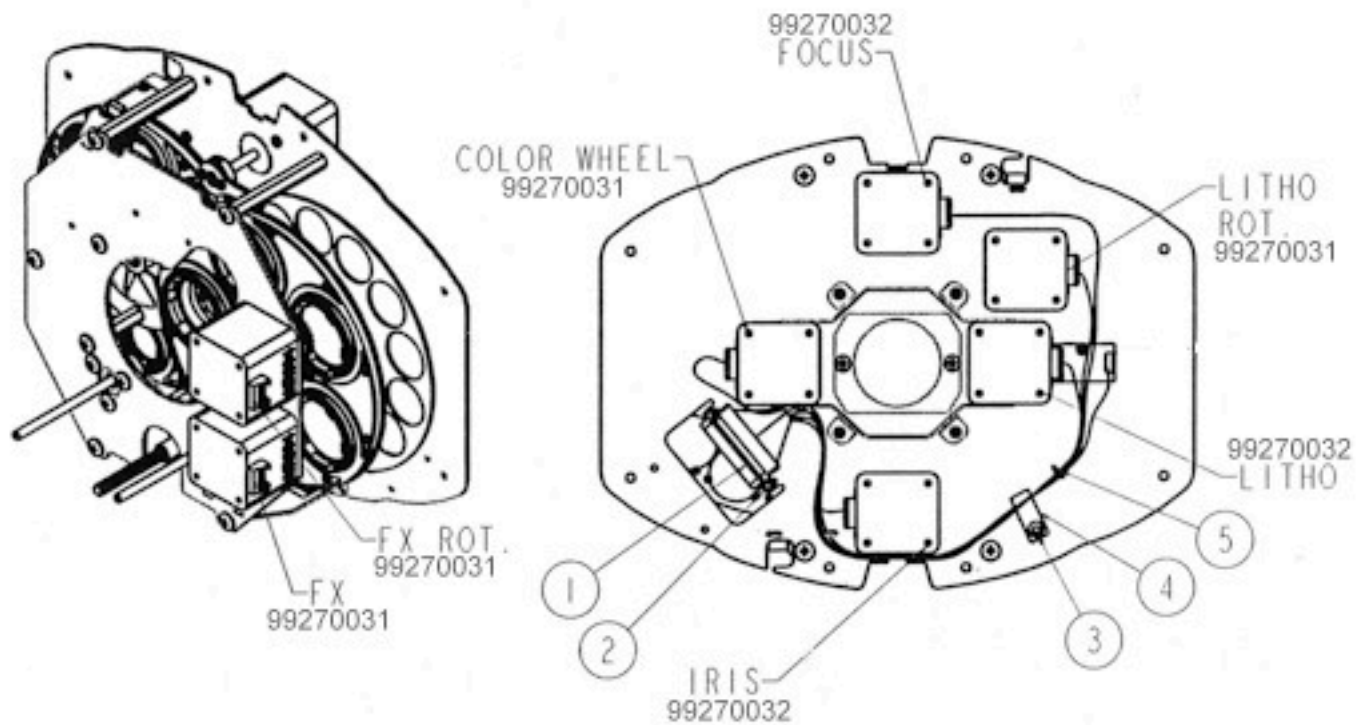


250 Series

Spot Optical Module Motors B



- | | | |
|----|----------|------------------------------|
| 1. | 90409050 | Wire Harness, Optical Module |
| 2. | 90709129 | Screw, Phil Pan #4 x 1/4 |
| 3. | 90709024 | Screw, Phil Pan #8 x 1/4 |
| 4. | 90410071 | Clamp, 3/8" Nylon |
| 5. | 99330007 | Tie Wrap |