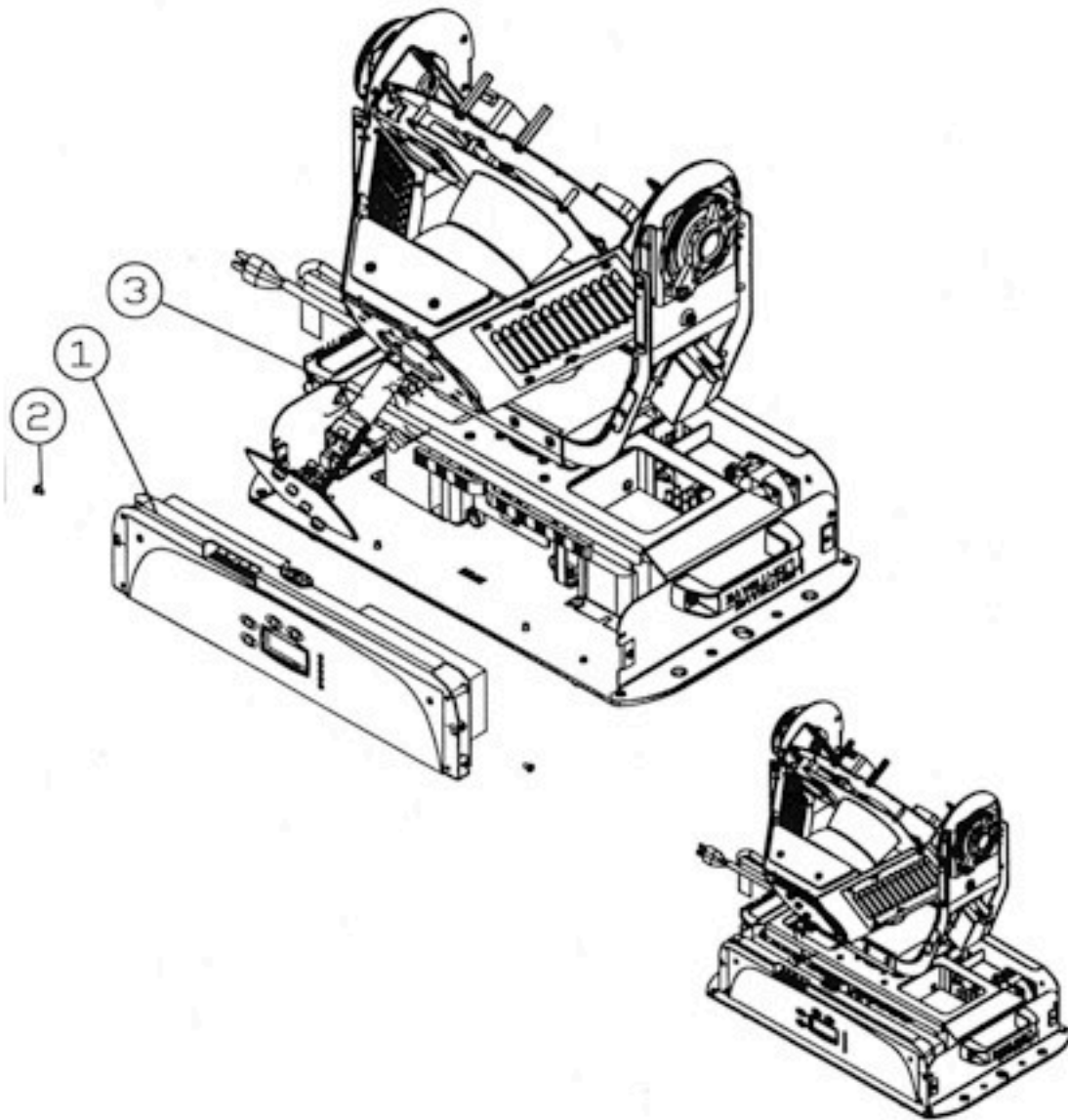


250 Series

Logic Board, Lamp



- | | | |
|----|----------|---|
| 1. | 80010109 | Logic Board Assy. |
| 2. | 90709146 | Screw, Phil Pan 6 - 32 x 1/2 With Star Washer |
| 3. | 55030051 | Lamp, MSD 250 |