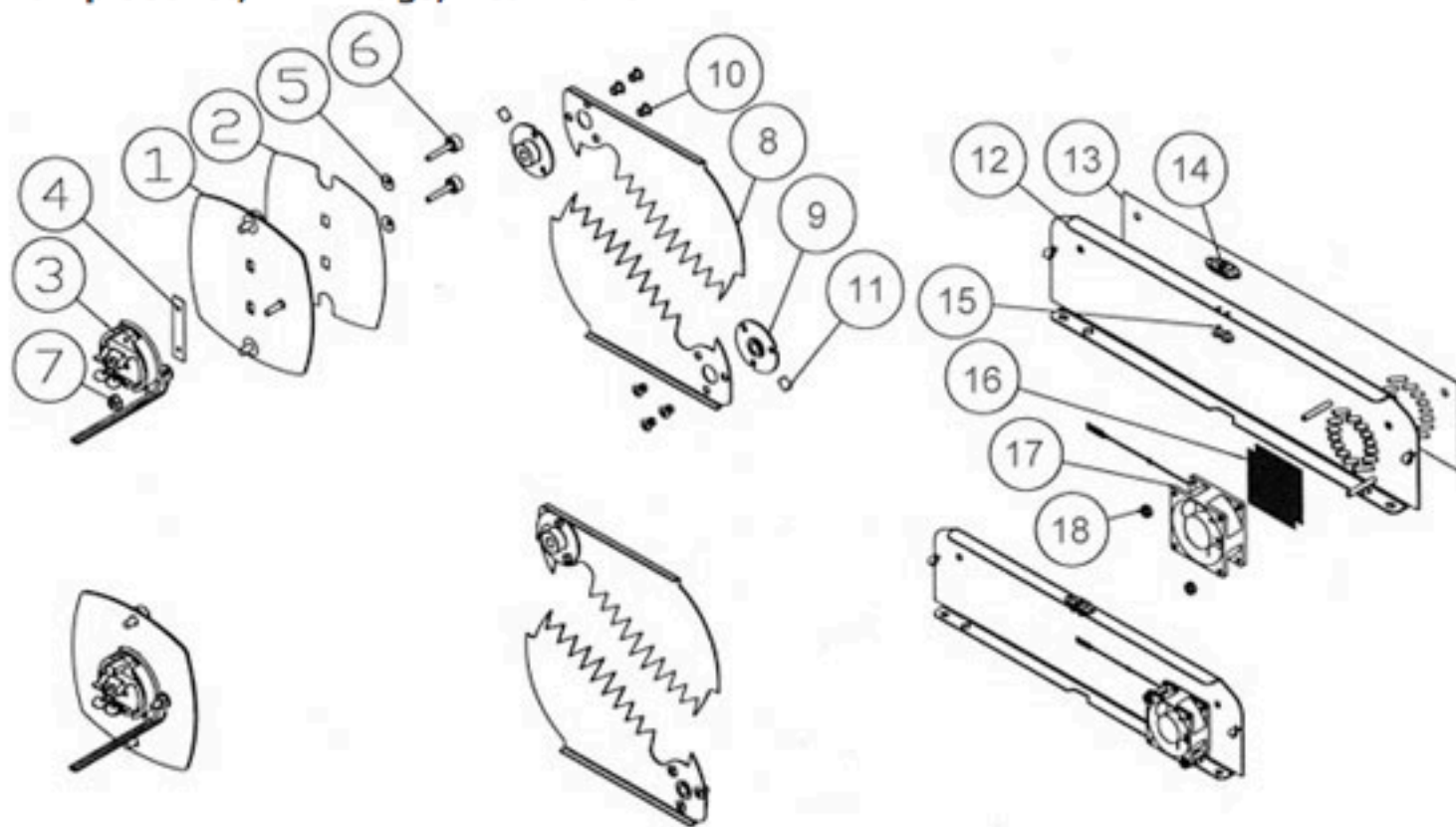


250 Series

Lamp Socket, Dim Flags, Rear Panel



- | | | |
|-----|----------|--------------------------------|
| 1. | 99080062 | Plate, Adjustable Lamp Mount |
| 2. | 99410065 | Label, Lamp Plate |
| 3. | 80470178 | Lamp Socket With Wires |
| 4. | 85000129 | Plate, Lamp Socket Slide |
| 5. | 90706079 | Washer |
| 6. | 90705026 | Thumbscrew M3 x 20 |
| 7. | 90703005 | Keps Nut 6 - 32 |
| 8. | 80071339 | Dim Flag |
| 9. | 99400018 | Hub, Shoulder Style |
| 10. | 90701160 | Rivet 41 - 43 Dome |
| 11. | 90707091 | Set Screw, Socket 8 - 32 x 1/4 |
| 12. | 99050035 | Panel, Rear With Grill |
| 13. | 99410068 | Label, Back Panel |
| 14. | 90724008 | Button, LR |
| 15. | 90709123 | Screw, Phil Pan 6 - 19 x 1/4 |
| 16. | 80071342 | Grill |
| 17. | 90605015 | Fan Assy. 24VDC |
| 18. | 90703023 | Keps Nut 8 - 32 |