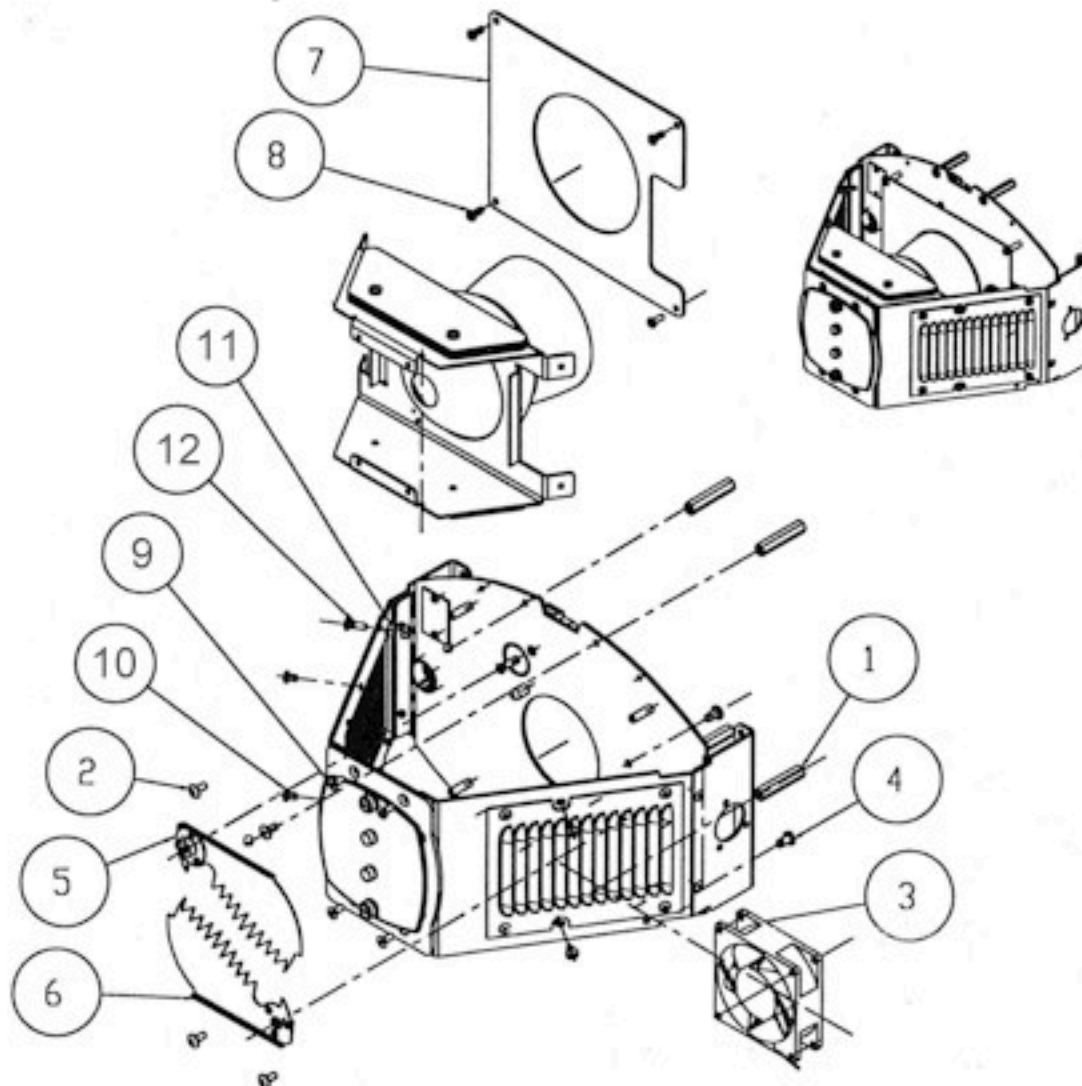


250 Series

Head Rear Assy. A



- | | | |
|-----|----------|--|
| 1. | 90702125 | Hex Standoff, Module Mount |
| 2. | 90709136 | Screw, Phil Pan 8 - 32 x 5/16 With Star Washer |
| 3. | 80270011 | Fan Assy. |
| 4. | 90709124 | Screw, Phil Pan 10 -14 x 3/8 |
| 5. | 80560020 | Right Dim Flag Assy. |
| 6. | 80560019 | Left Dim Flag Assy. |
| 7. | 80071336 | Plate, Mid Light Block |
| 8. | 90709135 | Screw, Phil Pan 6 - 32 x 5/16 With Star Washer |
| 9. | 90711034 | Screw, Phil Flat #8 x 3/8 |
| 10. | 90709142 | Screw, Phil Pan #8 x 3/8 With Star Washer |
| 11. | 90703023 | Keps Nut 8 x 32 |
| 12. | 90709090 | Screw, Phil Pan 8 - 32 x 1/2 |