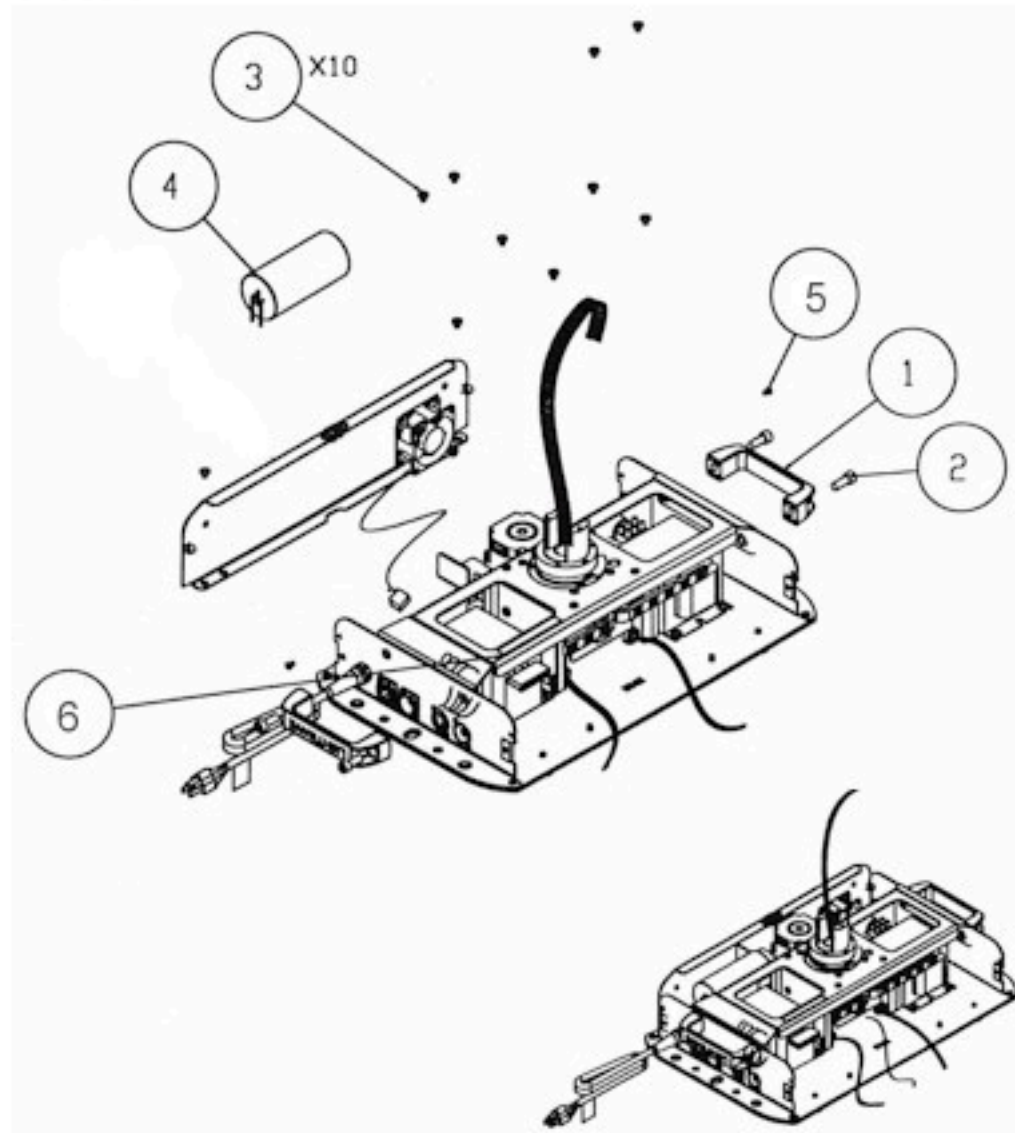


250 Series

Chassis B



- | | | |
|----|----------|-------------------------------------|
| 1. | 90720005 | Handle, Small W/Logo |
| 2. | 90707028 | Screw 5/16 - 24 x .63 |
| 3. | 90709140 | Screw, Phil Truss 8 - 32 x 1/4 |
| 4. | 80220005 | Capacitor, Power Factor 40uF 250VAC |
| 5. | 90709011 | Screw, Phil Pan 6 - 32 x 1/4 |
| 6. | 99310305 | Label, Voltage Select Inside |