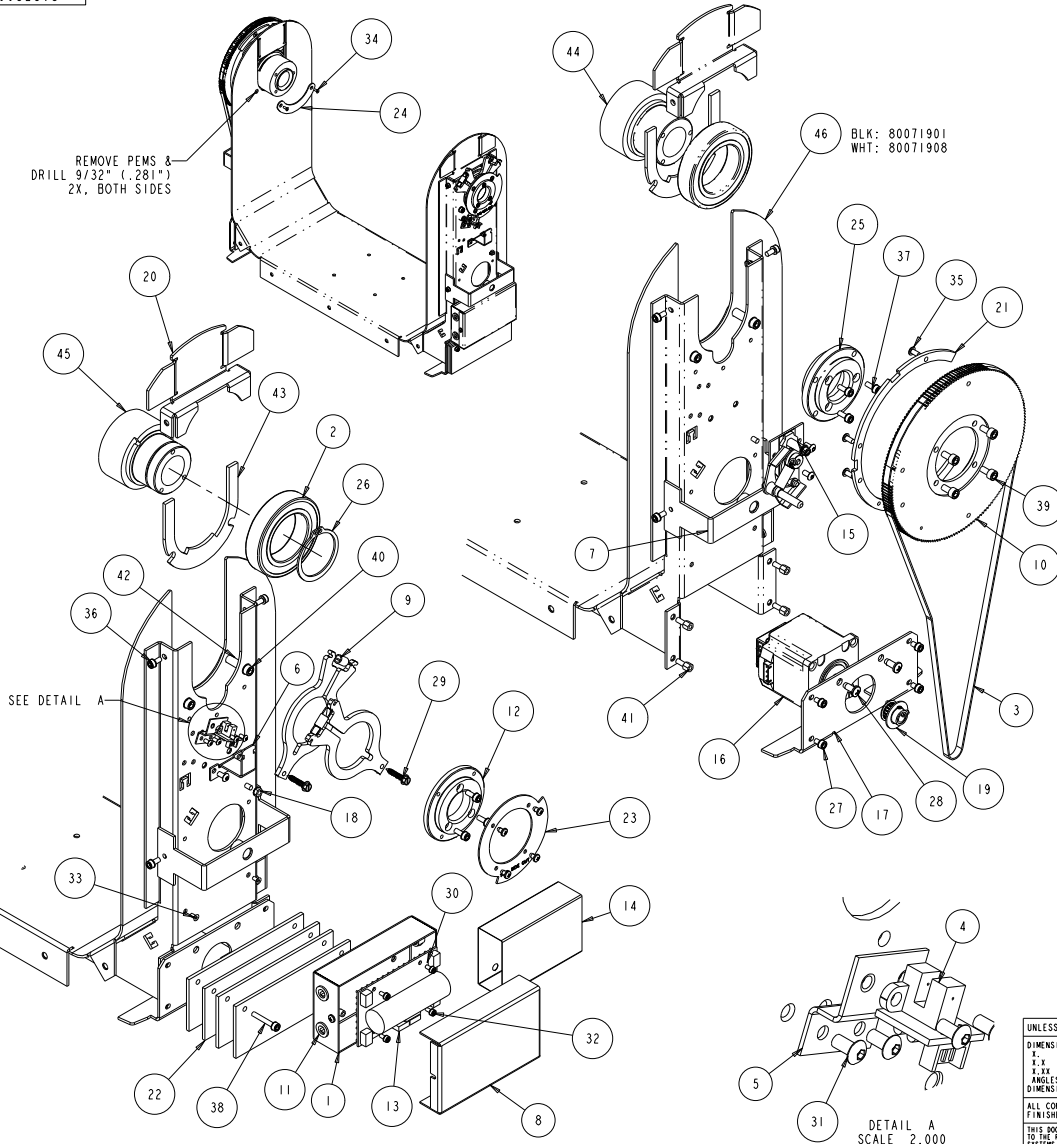


TTA003_SVC

FOR SERVICE REFERENCE ONLY

REMOVE PEMS & DRILL 9/32" (.281") 2X, BOTH SIDES

BLK: 80071901
WHT: 80071908



ITEM NO.	QTY.	FILENAME	ITEM CODE	DESCRIPTION
46	1	TWA093	CHARTED	YOKE, WELDED ASSY PAINTED SG
45	1	TW381	99140021	TUBE, TILT W/ RETAINING GROOVE
44	1	CAT327	99140018	TUBE, TILT CATALYST HEAD, DLI
43	2	TW517	80070464	STOP, TILT TUBE SG
42	4	DE329	90702415	STNDF, TILT BEARING REPAIR
41	4	STANDOFF_M4X6_M-F	90702376	STANDOFF, 6MM X 6MM L M/F M4 ALUM
40	4	SCREWM5AC16W-BZ	91000516	SCREW, M5 SOCKET CAP 16 BZ SEMS
39	4	SCREWM5AC10SSP	91100510	SCREW, M5 SOCKET CAP 10 SS W/PATCH
38	2	SCREWM4AC25W-BZ	91000425	SCREW, M4 SOCKET CAP 25 BZ SEMS
37	6	SCREWM4AC10W-BZ	91000410	SCREW, M4 SOCKET CAP 10 BZ SEMS
36	8	SCREWM4AC08BZ	91000408	SCREW, M4 SOCKET CAP 08 BZ SEMS
35	8	SCREWM4A0808BZP	91010408	SCREW, M4 BUTTON 08 BZ W/PATCH
34	4	SCREWM3AF08BZ	91040308	SCREW, M3 SOCKET CSNK FLAT 08 BZ W/PATCH
33	2	SCREWM3AF06BZP	91040306	SCREW, M3 SOCKET CSNK FLAT 06 BZ W/PATCH
32	4	SCREWM3AC06W-BZ	91000306	SCREW, M3 SOCKET CAP 06 BZ SEMS
31	4	SCREWM3A06BZP	91010306	SCREW, M3 BUTTON SOCKET HD 06 BZ W/PATCH
30	6	SCREW6-19PP250TL-SZ	90709123	SCREW, 6-19 PHIL PAN 1/4 SZ PLASTITE
29	2	SCREW8-18SH875ABTYPE-SS	90704040	SCREW, #8 HEX HEAD 7/8 SHEET METAL SS
28	2	SCREW10-1APP500TL-SZ	90709062	SCREW, #10 PHIL PAN 1/2 PLASTITE SZ
27	4	SCREWM4AC06W-BZ	91000406	SCREW, M4 SOCKET 06 BZ SEMS
26	1	RING_RETAINING_175_SHAFT	90701375	RING, RETAINING, EXTERNAL, 1.618
25	1	CAT328	99360041	PULLEY ADAPTOR TILT DLI
24	2	DE193	99080431	PLT, TILT BEARING REPAIR
23	1	TW519	99080311	PLATE, TILT SENSOR SG
22	4	TW542	80070473	PLATE, COUNTERWEIGHT, OKE SG
21	1	DE131	99080350	PLATE, TILT STOP V3
20	2	CAT181	80071806	PLATE, TILT BEARING RETAINER BLK DLI
19	1	TW335	99430126	PINION ASSY 17T 3MM HTD, LOW PROFILE
18	1	NUTM4KEP	91201204	NUT, M4 KEPS
17	2	TW526	99260504	MOUNT, TILT MOTOR, SG
16	1	TW502	INTERNAL	MOTOR, ENCODER ASSEMBLY SB/SG
15	1	CATA031	NA	LATCH, ASSY, TILT, DL
14	1	TW208_FORMED	90411075	INSULATOR, IGNITOR MEAI
13	1	TW426	90606007EF	IGNITOR, POWER SUPPLY, 2KW, CCI, A1
12	1	TW380	99400097	HUB, TILT SENSOR SG
11	4	BUSHING3121DSNAP	90410157	GROMMET, SNAP BUSHING .312 ID
10	1	DE132	99430131	GEAR, PULLEY, 170T TILT/PAN DRIVE V2
9	2	FSA089	80360009	DAMPENER, BRAKE ASSY PAN X-SPOT/SG
8	1	TW146	99080309	COVER, IGNITOR BRACKET SG
7	2	CAT186	99260424	BRACKET, YOKE ARM COVER RETAINER DL
6	1	CAT198	99263113	BRACKET, WIRE GUIDE, RIGHT, DL
5	1	TW529	99260506	BRACKET, TILT SENSOR, SG
4	1	FS709	80040022EF	BOARD, ASSY X-SPOT FLAG HOMING
3	1	TW503_TENSIONED	99360049	BELT, TIMING 3MM HTD, 305 GROOVE, 6MM
2	2	BEARING_45-75MM_BALL	90719061	BEARING, 45MM, 6009 2RS
1	1	TW147	99080310	BASE, IGNITOR BRACKET SG

UNLESS OTHERWISE SPECIFIED

INTERPRET DIMENSIONS PER ASME Y14.5M-1994 THIRD ANGLE PROJECTION

DRAWN: CHECKED: DRAWING NO. TTA003_SVC

APVD: DATE: 11/11/09

CAD FILE: TTA003_SVC

DESC: YOKE, SUB-ASSY SG 2.5

ITEM CODE: INTERNAL

PROJECT: ME-A7

SCALE: 1 OF 1

BARCO HIGHEND SYSTEMS

www.barco.com www.highend.com

THIS DOCUMENT CONTAINS CONFIDENTIAL AND PROPRIETARY INFORMATION OF BARCO / HIGH END SYSTEMS, INC. AND IS GIVEN TO THE RECEIVER IN CONFIDENCE. THE RECEIVER ACCEPTS AND AGREES THAT, EXCEPT AS AUTHORIZED BY BARCO / HIGH END SYSTEMS, THE RECEIVER WILL NOT PERMIT THE USE OF THE DOCUMENT OR ANY COPY THEREOF OR THE INFORMATION THEREIN FOR ANY PURPOSE OTHER THAN THAT FOR WHICH IT WAS ISSUED. THE RECEIVER WILL NOT DISCLOSE THE DOCUMENT OR THE INFORMATION THEREIN, AND WILL UPON COMPLETION OF THE NEED TO RETAIN THE DOCUMENT OR UPON DEMAND, RETURN THE DOCUMENT WITHOUT RETAINING ANY OF THE INFORMATION CONTAINED THEREIN TO AND FROM WHATEVER.

DETAIL A
SCALE 2.000