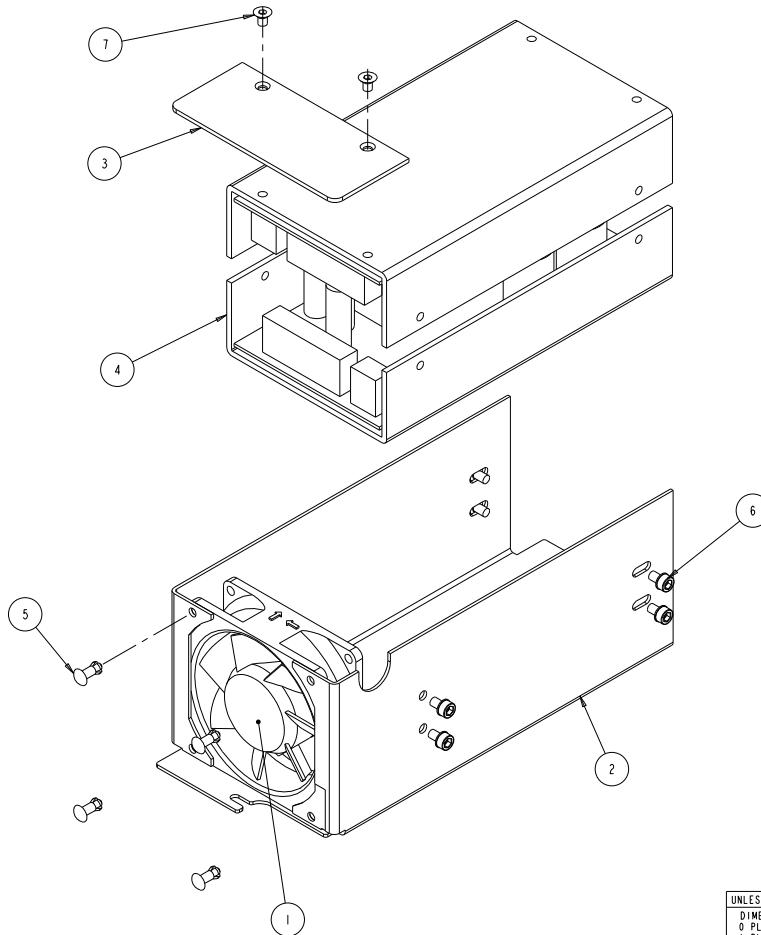


FOR SERVICE REFERENCE ONLY



ITEM NO.	QTY.	FILENAME	PART NO.	DESCRIPTION
9	1	TO714	9040940IEF	HARNSS,MPS,DC OUT,DUAL,SHB
8	1	TW705	90409293EF	HARNSS, 40 V PS, ME-A1
7	2	SCREWM4AF06BZ	91040406	SCREW,M4 SOCKET CSNK FLAT 06 BZ W/PATCH
6	8	SCREWM4AC06W-BZ	91000406	SCREW,M4 SOCKET CAP 06 BZ SEMS
5	4	RIVET156X460PUSH_NY	90701336	RIVET, 5/32 PUSH .217-.256 NY BL
4	2	TZA037	99070025EF	POWER SUPPLY, SWITCHING 40 V MOTOR W/PFC
3	1	TW170	99080317	PLATE,FILL,40 VOLT PS HOUSING
2	1	TW169	99350094	HOUSING,DUAL 40 VOLT POWER SUPPLY
1	1	CAT715EF	80270025EF	FAN,ASSY,12 V 80MM SQ X 25MM DL/SG

BILL OF MATERIALS

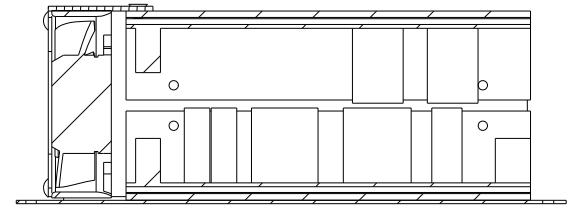
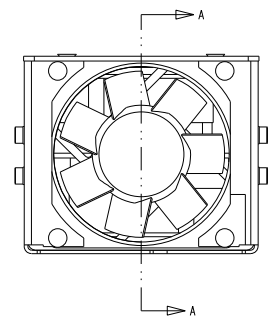
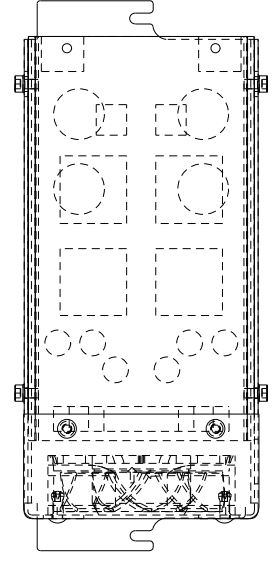
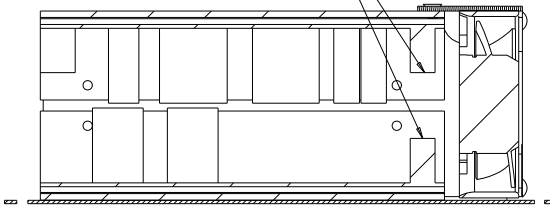
UNLESS OTHERWISE SPECIFIED	RELEASE DATE:	CE:	2105 GRACY FARMS LANE AUSTIN, TEXAS 78758 (512) 836-2242 FAX (512) 832-4128 ***** http://www.highend.com	LIGHTWAVE RESEARCH
DIMENSIONAL TOLERANCES:	ENG: MIKE BELL	OA:		
0 PLACE DECIMAL = ±0.38	ME:	DRW:		
1 PLACE DECIMAL = ±0.25	MEG:			
2 PLACE DECIMALS = ±0.13				
ANGLES = ±0.5°	DESCRIPTION:			
FOR PAINTED PARTS REFER TO	40 VOLT POWER SUPPLY ASSEMBLY			
ENG. SPEC. MANUAL WI-0592	MATERIAL:		FINISH:	
ALL COMPONENTS, MATERIALS AND	CHARTED		N/A	
FINISHES TO BE R6HS COMPLIANT				
MIN. DRAFT	INTERPRET DIMENSIONS PER	SI METRIC A1	PART NO.	DRAWING NO.
MIN. RADIUS	ASME Y14.5M-1994		INTERNAL	TQA087_SVC
FLATNESS	THIRD ANGLE PROJECTION			
THICKNESS	DIMENSIONS ARE IN MILLIMETERS		DO NOT SCALE	SCALE: 1:000
VOLUME				SHEET: 1 OF 2

PROPRIETARY NOTICE:
 THIS DOCUMENT CONTAINS CONFIDENTIAL AND PROPRIETARY INFORMATION OF HIGH END SYSTEMS INC., (ALSO DBA LIGHTWAVE RESEARCH) AND IS GIVEN TO THE RECEIVER IN CONFIDENCE. THE RECEIVER ACCEPTS AND AGREES THAT, EXCEPT AS AUTHORIZED BY HIGH END SYSTEMS, THE RECEIVER WILL NOT PERMIT THE USE OF THE DOCUMENT OR ANY COPY THEREOF OR THE INFORMATION THEREIN, WILL NOT COPY OR PERMIT COPYING THE DOCUMENT OR THE INFORMATION THEREIN, AND WILL UPON COMPLETION OF THE NEED TO RETURN THE DOCUMENT, OR UPON DEMAND, RETURN THE DOCUMENT WITHOUT RETAINING ANY OF THE INFORMATION CONTAINED THEREIN IN ANY FORM WHATSOEVER.

FOR SERVICE
REFERENCE ONLY

40V OUTPUT
SHOWS POWER SUPPLY
ORIENTATION

FAN COOLING
AIR DIRECTION



SECTION A-A

SECTION A-A

PROPRIETARY NOTICE:
THIS DOCUMENT CONTAINS CONFIDENTIAL AND PROPRIETARY INFORMATION OF HIGH END SYSTEMS INC., (ALSO DBA LIGHTWAVE RESEARCH) AND IS GIVEN TO THE RECEIVER IN CONFIDENCE. THE RECEIVER ACCEPTS AND AGREES THAT, EXCEPT AS AUTHORIZED BY HIGH END SYSTEMS, THE RECEIVER WILL NOT PERMIT THE USE OF THE DOCUMENT OR ANY COPY THEREOF OR THE INFORMATION THEREIN, WILL NOT COPY OR PERMIT COPYING THE DOCUMENT WILL NOT DISCLOSE TO OTHERS EITHER THE DOCUMENT OR THE INFORMATION THEREIN, AND WILL UPON COMPLETION OF THE NEED TO RETAIN THE DOCUMENT, OR UPON DEMAND, RETURN THE DOCUMENT WITHOUT RETAINING ANY OF THE INFORMATION CONTAINED THEREIN IN ANY FORM WHATSOEVER.

UNLESS OTHERWISE SPECIFIED		RELEASE DATE:	CE:	2105 GRACY FARMS LANE AUSTIN, TEXAS 78758 (512) 836-2242 FAX (512) 832-4128 ***** http://www.highend.com	LIGHTWAVE RESEARCH
DIMENSIONAL TOLERANCES:		ENG:	OA:		
0 PLACE DECIMAL = ±0.38		ME:	DRW:		
1 PLACE DECIMAL = ±0.25		MEG:			
2 PLACE DECIMALS = ±0.13		DESCRIPTION:		FINISH:	
ANGLES = ±0.5°		40 VOLT POWER SUPPLY ASSEMBLY		N/A	
FOR PAINTED PARTS REFER TO		MATERIAL:		PART NO.	
ENG. SPEC. MANUAL WI-0582		CHARTED		INTERNAL	
ALL COMPONENTS, MATERIALS AND		INTERPRET DIMENSIONS PER		DRAWING NO.	
FINISHES TO BE R6HS COMPLIANT		ASME Y14.5M-1994		TOA087_SVC	
MIN. DRAFT		THIRD ANGLE PROJECTION		REV.	
MIN. RADIUS		DIMENSIONS ARE IN MILLIMETERS			
FLATNESS		SI METRIC A1			
THICKNESS		DO NOT SCALE		SCALE: 1:000	
VOLUME				SHEET: 2 OF 2	