

REVISION HISTORY				
SCH REV	PCB REV	ECO NO.	DATE	COMMENT
-	-	-		INITAIL
1.1	1.1	-		add cur limit ckt
1.5	1.5	-		ECN 5460, ECN 5665
1.5.1	1.5			ECN 7213 AND 7269
1.5.2	1.5	7589	3-6-98	CHANGE R50 TO 0 OHM
1.5.3	1.5		1-15-98	ASSY DWG AND BOM CHANGES ONLY
1.5.4	1.5	8695	8-10-99	ASSY DWG AND BOM CHANGES ONLY
1.5.5	1.5	9014	3-10-00	R33 & R34 WAS 10 OHM
1.5.6	1.5		4-11-00	ASSY DWG AND BOM CHANGES ONLY
1.5.7	1.5		12-15-00	ASSY DWG CHANGES ONLY
1.5.8	1.5	768	12-15-00	F1 BOM CHANGE

Copyright (c) 1994–2001 High End Systems, Inc. All rights reserved worldwide.

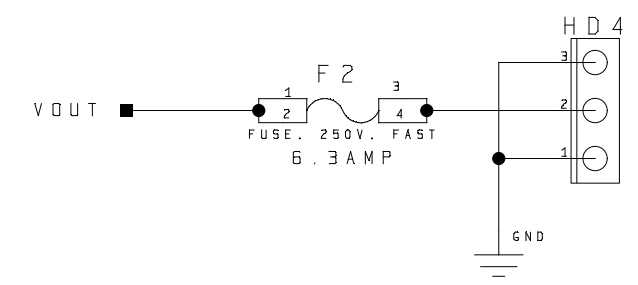
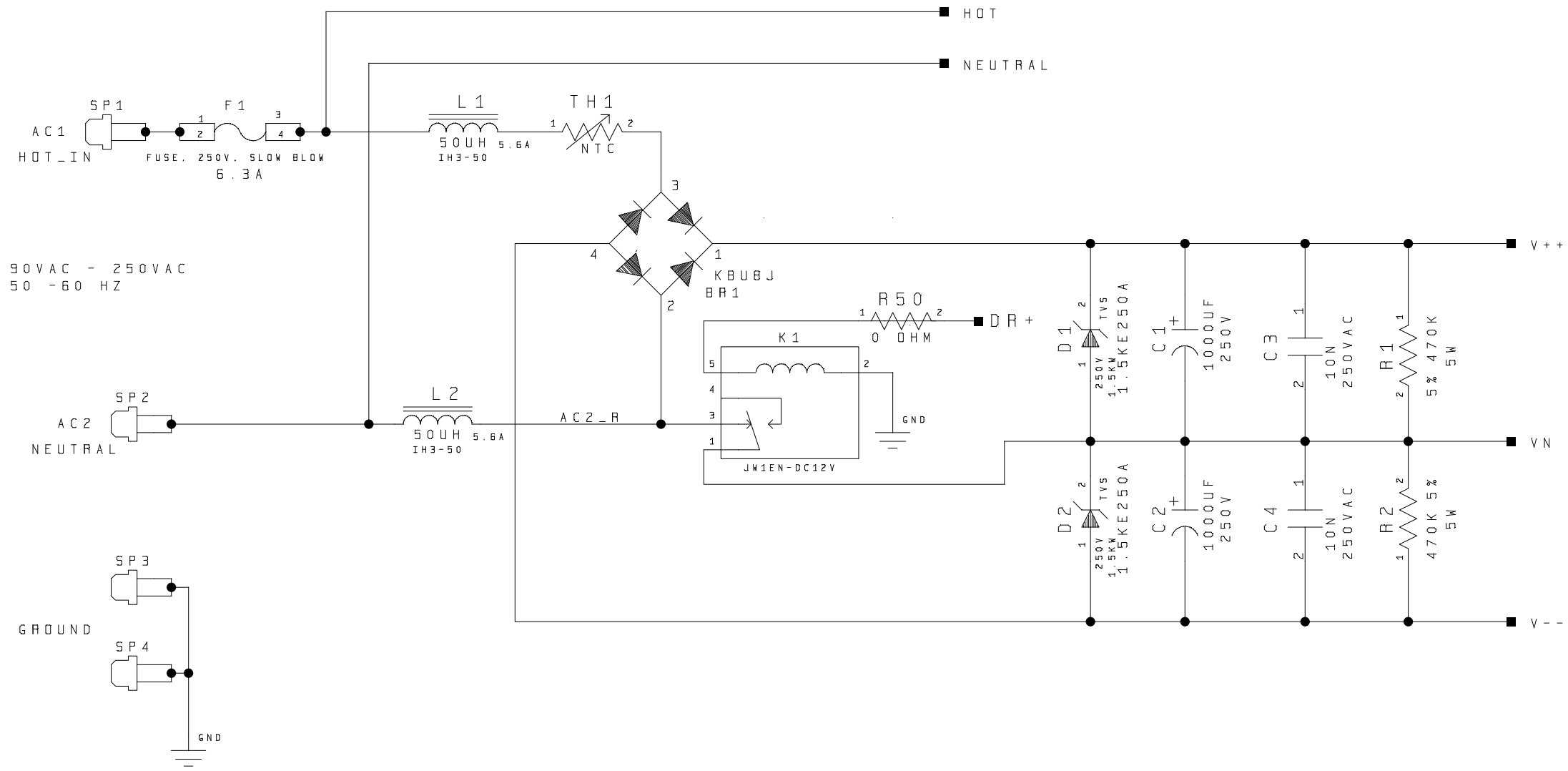
Studio Color, Lightwave Research, the Lightwave Research logo, High End Systems and the High End Systems logo are registered trademarks of High End Systems, Inc. Trademarks and trade names of others may be used in this document to refer to either such other entities or to their products. High End Systems Inc. disclaims any proprietary interest or connection to such marks or entities.

NOTES :

UNLESS OTHERWISE SPECIFIED :

1. ALL RESISTOR VALUES ARE IN OHMS
2. ALL RESISTORS ARE 1/8 WATT 5% OR BETTER
3. CAPACITORS VALUES ARE IN PICO FARADS
4. ALL NON POLARIZED CAPACITORS ARE 50V OR BETTER
VALUES BELOW 470pF ARE NPO/COG TYPE 5%
VALUES 470pF TO 1000pF ARE X7R 10%
VALUES ABOVE 1000pF ARE Z5U +/- 20 %
5. ALL POLARIZED CAPACITORS ARE 20% OR BETTER
6. ALL DIODES ARE 1N4148 TYPE

HIGH END SYSTEMS INC.			
Title:		STUDIO COLOR WASH FIXTURE SWITCHING POWER SUPPLY	
Function:		COVER SHEET	59158
Drawing No.	REV.	Designed:	
99030059SCH	1.5.8	DESIGNER	
Drawn:		Approved:	
BOON			
Date	Size	Page	of
2-3-2003-15:19	A2	1	6



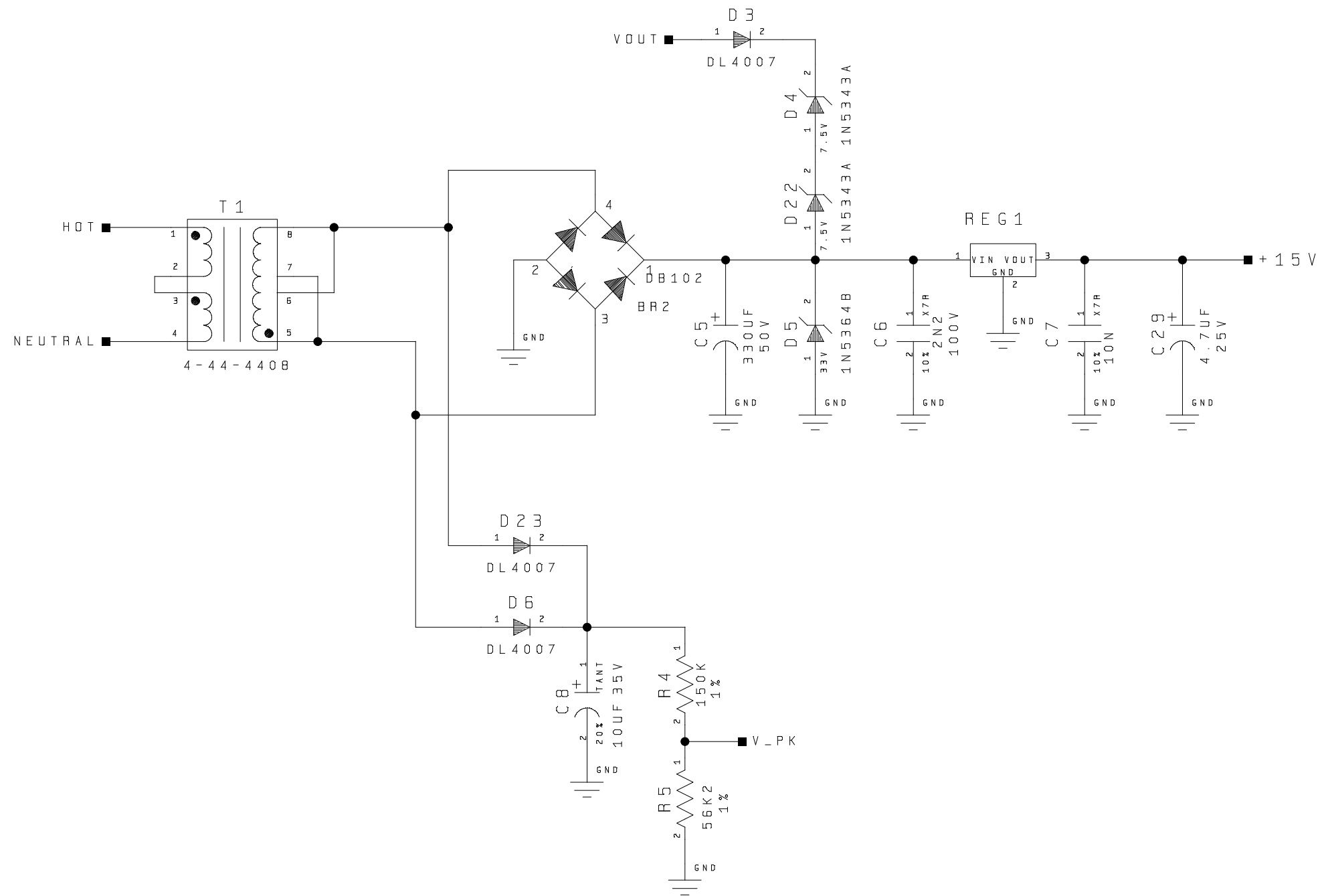
HIGH END SYSTEMS INC.


Title:
STUDIO COLOR WASH FIXTURE
SWITCHING POWER SUPPLY

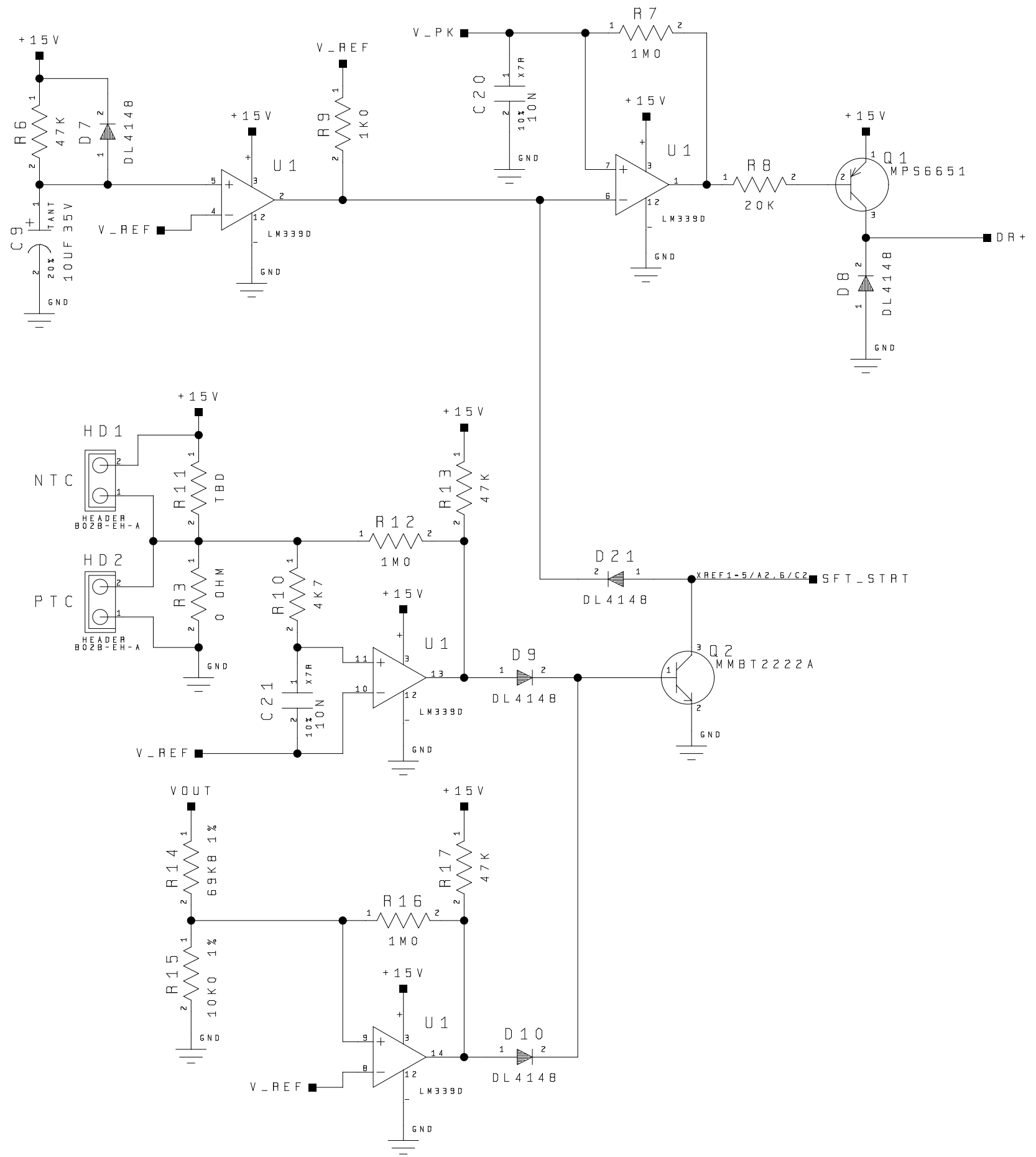


Function: _____ 59158

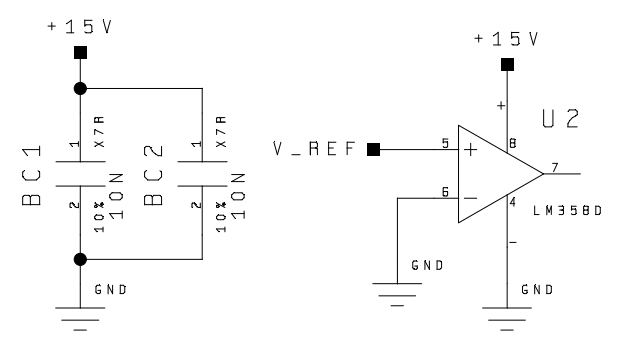
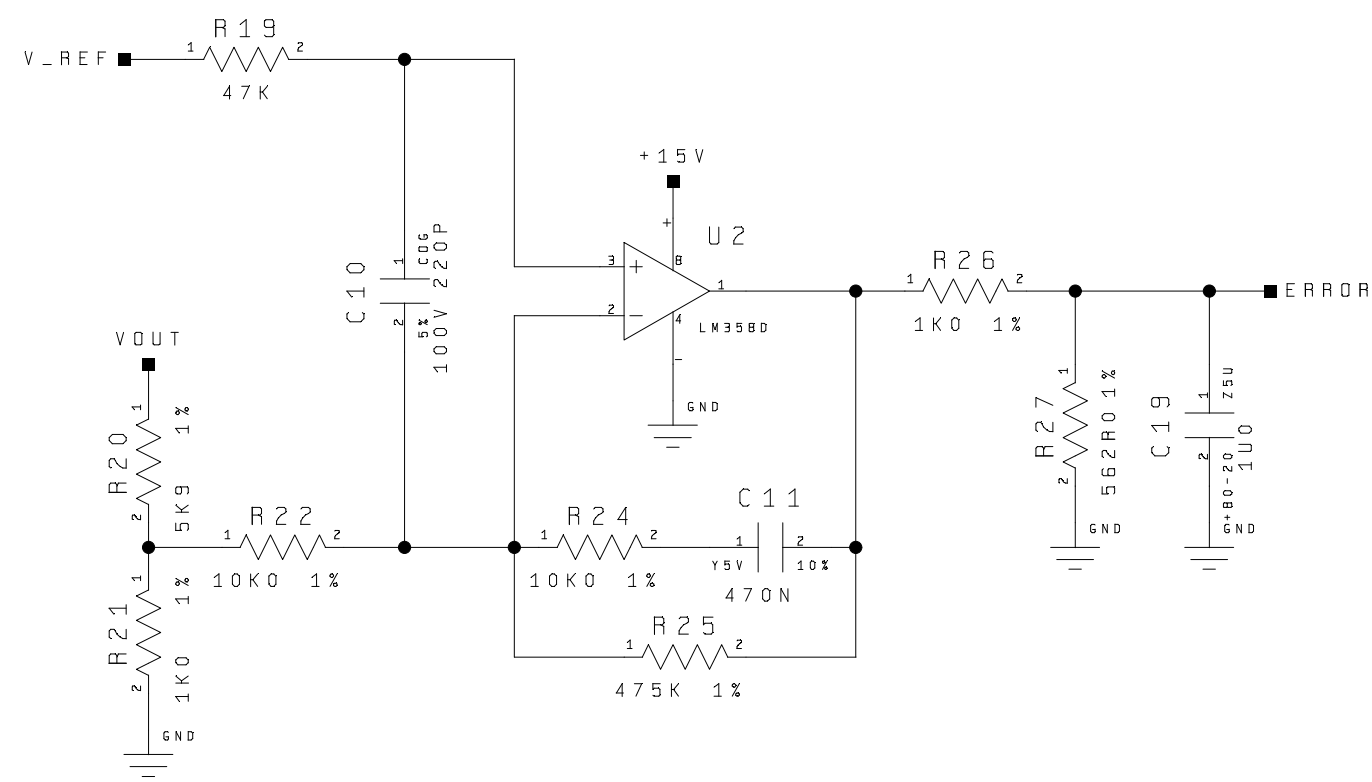
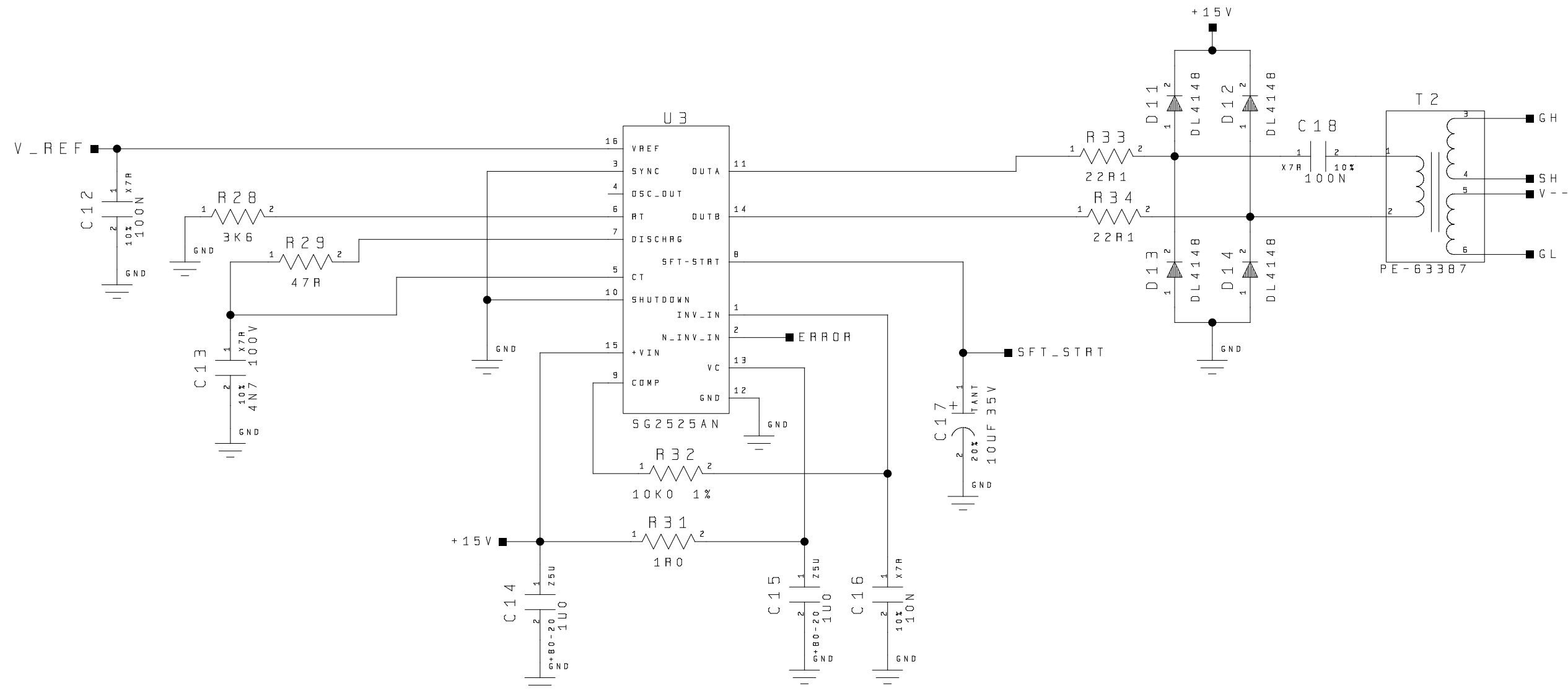
Drawing No. 99030059SCH	REV. 1.5.8	Size A2	Date 2-3-2003_15:26 Page 2 of 6
----------------------------	---------------	---------	------------------------------------



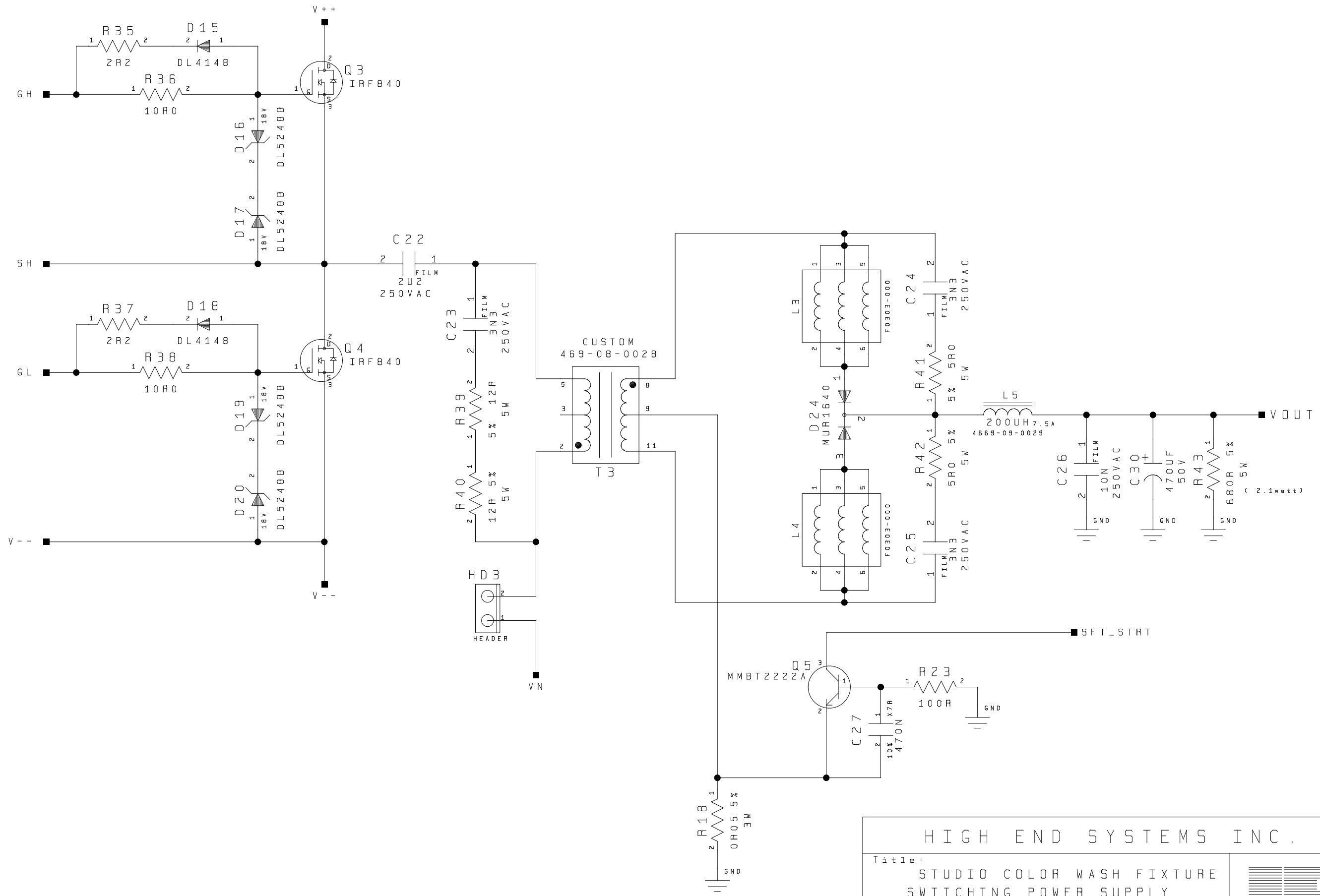
HIGH END SYSTEMS INC.			
Title:			
STUDIO COLOR WASH FIXTURE SWITCHING POWER SUPPLY			
Function: _____		59158	
Drawing No.	REV.	Size	Date
99030059SCH	1.5.8	A2	2-3-2003_15:26
			Page 3 of 6



HIGH END SYSTEMS INC.			
Title:		STUDIO COLOR WASH FIXTURE SWITCHING POWER SUPPLY	
Function:		59158	
Drawing No.	REV.	Size	Date
99030059SCH	1.5.8	A2	2-3-2003_15:26
		Page 4 of 6	



HIGH END SYSTEMS INC.			
Title:		STUDIO COLOR WASH FIXTURE SWITCHING POWER SUPPLY	
Function:		59158	
Drawing No.	REV.	Date 2-3-2003_15:26	
99030059SCH	1.5.8	Size A2	Page 5 of 6



HIGH END SYSTEMS INC.			
Title:		STUDIO COLOR WASH FIXTURE SWITCHING POWER SUPPLY	
Function:		59158	
Drawing No.	REV.	Size	Date
SCH-99030059	1.5.8	A2	2-3-2003_15.26
			Page 6 of 6