

SATURA SPOT LED PRO™

user manual

©2014 ELATION PROFESSIONAL all rights reserved. Information, specifications, diagrams, images, and instructions herein are subject to change without notice. ELATION PROFESSIONAL logo and identifying product names and numbers herein are trademarks of ELATION PROFESSIONAL. Copyright protection claimed includes all forms and matters of copyrightable materials and information now allowed by statutory or judicial law or hereinafter granted. Product names used in this document may be trademarks or registered trademarks of their respective companies and are hereby acknowledged. All non-ELATION brands and product names are trademarks or registered trademarks of their respective companies.

ELATION PROFESSIONAL and all affiliated companies hereby disclaim any and all liabilities for property, equipment, building, and electrical damages, injuries to any persons, and direct or indirect economic loss associated with the use or reliance of any information contained within this document, and/or as a result of the improper, unsafe, insufficient and negligent assembly, installation, rigging, and operation of this product.

Elation Professional USA | 6122 S. Eastern Ave. | Los Angeles, CA. 90040

323-582-3322 | 323-832-9142 fax | www.elationlighting.com | info@elationlighting.com

Elation Professional B.V. | Junostraat 2 | 6468 EW Kerkrade, The Netherlands

+31 45 546 85 66 | +31 45 546 85 96 fax | www.elationlighting.eu | info@elationlighting.eu

DOCUMENT VERSION



Please check www.elationlighting.com for the latest revision/update of this manual.

Date	Document Version	Software Version	DMX Channel Modes	Notes
11/12/15	2	≥1.1.5	22 / 24 / 32	Added 16bit individual RGBW and ALL FINE dimming adjustment, and dimming curve modes.

CONTENTS

General Information	4
Warranty	6
Safety Instructions	7
General Guidelines	8
Fixture Overview	9
Fixture Installation	10
Fixture Menu	13
EWDIMX Wireless DMX Receiver Set Up	21
DMX Channel Functions And Values	23
Error Codes	27
Cleaning and Maintenance	28
Technical Specifications	29
Optional Accessories	33

GENERAL INFORMATION

Congratulations, you have just purchased one of the most innovative and reliable lighting fixtures on the market today! This fixture has been designed to perform reliably for years when the guidelines in this booklet are followed. Please read and understand the instructions in this manual carefully and thoroughly before attempting to operate this unit. These instructions contain important information regarding safety during use and maintenance.

UNPACKING

Every fixture has been thoroughly tested and has been shipped in perfect operating condition. Carefully check the shipping carton for damage that may have occurred during shipping. If the carton appears to be damaged, carefully inspect your unit for damage and be sure all accessories necessary to operate the unit have arrived intact. In the event damage has been found or parts are missing, please contact our customer support team for further instructions. Please do not return this unit to your dealer without first contacting customer support at the number listed below. Please do not discard the shipping carton in the trash. Please recycle whenever possible.

BOX CONTENTS

- (2) Omega Brackets
- (1) 3pin DMX Cable
- (1) powerCON Cable
- (1) Safety Cable
- Manual & Warranty Card

CUSTOMER SUPPORT

Elation Professional® provides a customer support line, to provide set up help and to answer any question should you encounter problems during your set up or initial operation. You may also visit us on the web at www.elationlighting.com for any comments or suggestions. For service related issue please contact Elation Professional®.

ELATION SERVICE USA - Monday - Friday 8:00am to 5:00pm PST

Voice: 323-582-3322

Fax: 323-832-9142

E-mail: support@elationlighting.com

ELATION SERVICE EUROPE - Monday - Friday 08:30 to 17:00 CET

Voice: +31 45 546 85 30

Fax: +31 45 546 85 96

E-mail: support@elationlighting.eu

WARRANTY REGISTRATION

Please complete and mail in the enclosed warranty card or register online: <http://www.elationlighting.com/Login.aspx> to validate your purchase. All returned service items whether under warranty or not, must be freight pre-paid and accompany a return authorization (R.A.) number. The R.A. number must be clearly written on the outside of the return package. A brief description of the problem as well as the R.A. number must also be written down on a piece of paper and included in the shipping container. If the unit is under warranty, you must provide a copy of your proof of purchase invoice. Items returned without a R.A. number clearly marked on the outside of the package will be refused and returned at customer's expense. You may obtain a R.A. number by contacting customer support.



IMPORTANT NOTICE!

There are no user serviceable parts inside this unit. Do not attempt any repairs yourself; doing so will void your manufactures warranty. Damages resulting from modifications to this fixture and/or the disregard of safety and general user instructions found in this user manual void the manufactures warranty and are not subject to any warranty claims and/or repairs.

LIMITED WARRANTY

A. Elation Professional® hereby warrants, to the original purchaser, Elation Professional® products to be free of manufacturing defects in material and workmanship for a period of two years (730 days), and Elation Professional® product rechargeable batteries to be free of manufacturing defects in material and workmanship for a period of six months (180 days), from the original date of purchase. This warranty excludes discharge lamps and all product accessories. This warranty shall be valid only if the product is purchased within the United States of America, including possessions and territories. It is the owner's responsibility to establish the date and place of purchase by acceptable evidence, at the time service is sought.

B. For warranty service, send the product only to the Elation Professional® factory. All shipping charges must be pre-paid. If the requested repairs or service (including parts replacement) are within the terms of this warranty, Elation Professional® will pay return shipping charges only to a designated point within the United States. If any product is sent, it must be shipped in its original package and packaging material. No accessories should be shipped with the product. If any accessories are shipped with the product, Elation Professional® shall have no liability what so ever for loss and/or or damage to any such accessories, nor for the safe return thereof.

C. This warranty is void if the product serial number and/or labels are altered or removed; if the product is modified in any manner which Elation Professional® concludes, after inspection, affects the reliability of the product; if the product has been repaired or serviced by anyone other than the Elation Professional® factory unless prior written authorization was issued to purchaser by Elation Professional®; if the product is damaged because not properly maintained as set forth in the product instructions, guidelines and/or user manual.

D. This is not a service contract, and this warranty does not include any maintenance, cleaning or periodic check-up. During the periods as specified above, Elation Professional® will replace defective parts at its expense, and will absorb all expenses for warranty service and repair labor by reason of defects in material or workmanship. The sole responsibility of Elation Professional® under this warranty shall be limited to the repair of the product, or replacement thereof, including parts, at the sole discretion of Elation Professional®. All products covered by this warranty were manufactured after January 1, 1990, and bare identifying marks to that effect.

E. Elation Professional® reserves the right to make changes in design and/or performance improvements upon its products without any obligation to include these changes in any products theretofore manufactured.

F. No warranty, whether expressed or implied, is given or made with respect to any accessory supplied with the products described above. Except to the extent prohibited by applicable law, all implied warranties made by Elation Professional® in connection with this product, including warranties of merchantability or fitness, are limited in duration to the warranty periods set forth above. And no warranties, whether expressed or implied, including warranties of merchantability or fitness, shall apply to this product after said periods have expired. The consumer's and/or dealer's sole remedy shall be such repair or replacement as is expressly provided above; and under no circumstances shall Elation Professional® be liable for any loss and/or damage, direct and/or consequential, arising out of the use of, and/or the inability to use, this product.

G. This warranty is the only written warranty applicable to Elation Professional® products and supersedes all prior warranties and written descriptions of warranty terms and conditions heretofore published.

SAFETY INSTRUCTIONS



This fixture is an extremely sophisticated piece of electronic equipment. To guarantee a smooth operation, it is important to follow the guidelines in this manual. The manufacturer of this device will not accept responsibility for damages resulting from the misuse of this fixture due to the disregard of the information printed in this manual.



This device falls under **PROTECTION CLASS 1**. It's essential this device be grounded properly. Only qualified personnel should perform all electrical connections.



I N D O O R S U S E O N L Y !
DO NOT EXPOSE FIXTURE RAIN AND MOISTURE!



UNPLUG POWER BEFORE SERVICING FIXTURE!
DO NOT PLUG FIXTURE INTO A DIMMER PACK!
NEVER TOUCH FIXTURE DURING OPERATION, AS IT MAY BE HOT!



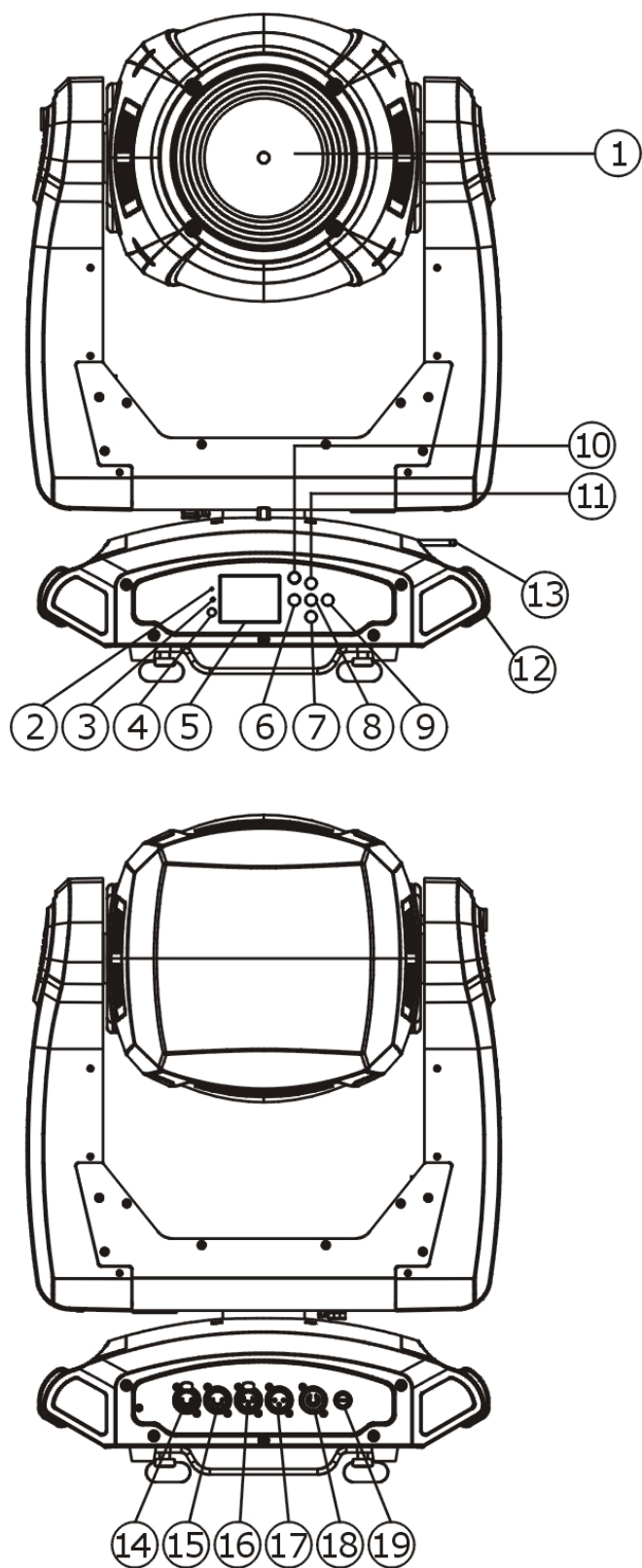
NEVER LOOK DIRECTLY INTO THE LIGHT SOURCE!
SENSITIVE PERSONS MAY SUFFER AN EPILEPTIC SHOCK!

- For proper operation, follow the **Installation** guidelines described in this manual. Only qualified and certified personnel should perform installation of this fixture and only the original rigging parts (brackets) included with this fixture should be used for installation. Any modifications will void the original manufacturer's warranty and increase the risk of damage and/or personal injury.
- Never look directly into the light source of this fixture to prevent risk of injury to your retina, which may induce blindness. Those suffering from **EPILEPSY** should avoid looking directly into the light source of this unit at all times.
- The fan and air inlets must remain clean and never blocked. Allow approx. 6" (15cm) between this fixture and other devices or a wall for proper cooling.
- Always disconnect from main power source before performing any type of service and/or cleaning procedure. Only handle the power cord by the plug end, never pull out the plug by tugging the wire portion of the cord.
- Do not operate this fixture if the power cord has become frayed, crimped and/or damaged. If the power cord is damaged, replace it immediately with a new one of similar power rating.

GENERAL GUIDELINES

- **NEVER OPEN THIS FIXTURE WHILE IN USE!**
- During the initial operation of this fixture, a light smoke or smell may emit from the interior of the fixture. This is a normal process and is caused by excess paint in the interior of the casing burning off from the heat associated with the lamp and will decrease gradually over time.
- This fixture is a professional lighting effect designed for **INDOOR / DRY LOCATIONS ONLY** on stage, in nightclubs, theatres, etc.
- Please make sure there are **NO FLAMMABLE MATERIALS** close to the fixture while operating, to prevent any fire hazard.
- The fixture must be installed in a location with adequate ventilation, at least 1.5 feet (.5m) from adjacent surfaces. Be sure no air ventilation slots are blocked.
- **DO NOT** attempt installation and/or operation without knowledge how to do so.
- **DO NOT** permit operation by persons who are not qualified to operate this type of fixture. Most damages are the result of operations by nonprofessionals.
- Consistent operational breaks may ensure the fixture will function properly for many years to come.
- **DO NOT** shake fixture, avoid brute force when installing and/or operating fixture.
- Always install the fixture with an appropriate safety cable. When installing the fixture in a suspended environment, always use mounting hardware that is no less than M10 x 25 mm, also be sure the hardware is insert in the pre-arranged screw holes in the bracket of the fixture.
- Use the original packaging and materials to transport the fixture in for service.
- **DO NOT TOUCH** the housing bare-hand during its operation. Turn OFF the power and allow approximately 15 minutes for the fixture to cool down before replacing or serving.

FIXTURE OVERVIEW



1. LED Assembly
2. Microphone
3. Wireless DMX Indicator
4. DC Switch
5. LCD Menu Function Display
6. LEFT Button
7. DOWN Button
8. ENTER Button
9. RIGHT Button
10. MODE/ESC Button
11. UP Button
12. Carrying Handle(s)
13. Wireless DMX Antenna
14. 5pin DMX Output
15. 5pin DMX Input
16. 3pin DMX Output
17. 3pin DMX Input
18. powerCON IN
19. Fuse

FIXTURE INSTALLATION



FLAMMABLE MATERIAL WARNING

Keep fixture at least 5.0 ft (1.5m) away from any flammable materials, decorations, pyrotechnics, etc.



ELECTRICAL CONNECTIONS

A qualified electrician should be used for all electrical connections and/or installations.

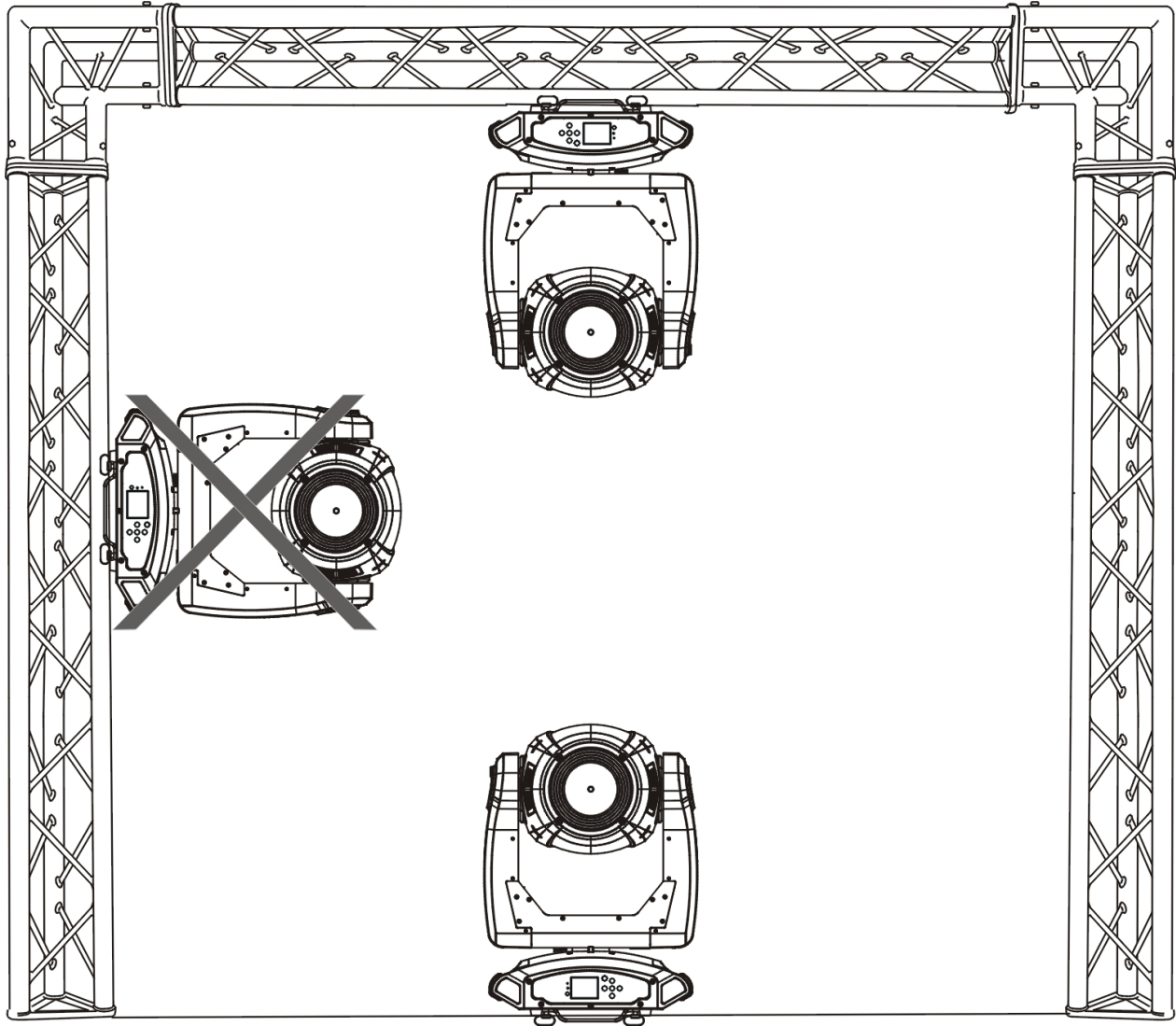


CAUTIONS

- For added protection, mount the fixture in areas outside walking paths, seating areas, or in areas where unauthorized personnel might reach the fixture.
- Ambient operating temperature range for this fixture is **14° to 113°F. (-10° to 45°C)**. Do not use the fixture under or above this temperature.
- Before mounting the fixture to any surface, make sure the installation area can hold a minimum point load of 10 times the weight of the fixture.
- Fixture installation must always be secured with a secondary safety attachment, such as an appropriate safety cable.
- Never stand directly below the device when mounting, removing or servicing.

MOUNTING POINTS

- Overhead mounting requires extensive experience, including amongst others calculating working load limits, installation material being used, and periodic safety inspection of all installation material and the device. If you lack these qualifications, do not attempt the installation yourself. Improper installation can result in bodily injury.
- Fixture is fully operational in the specific mounting positions as illustrated below.

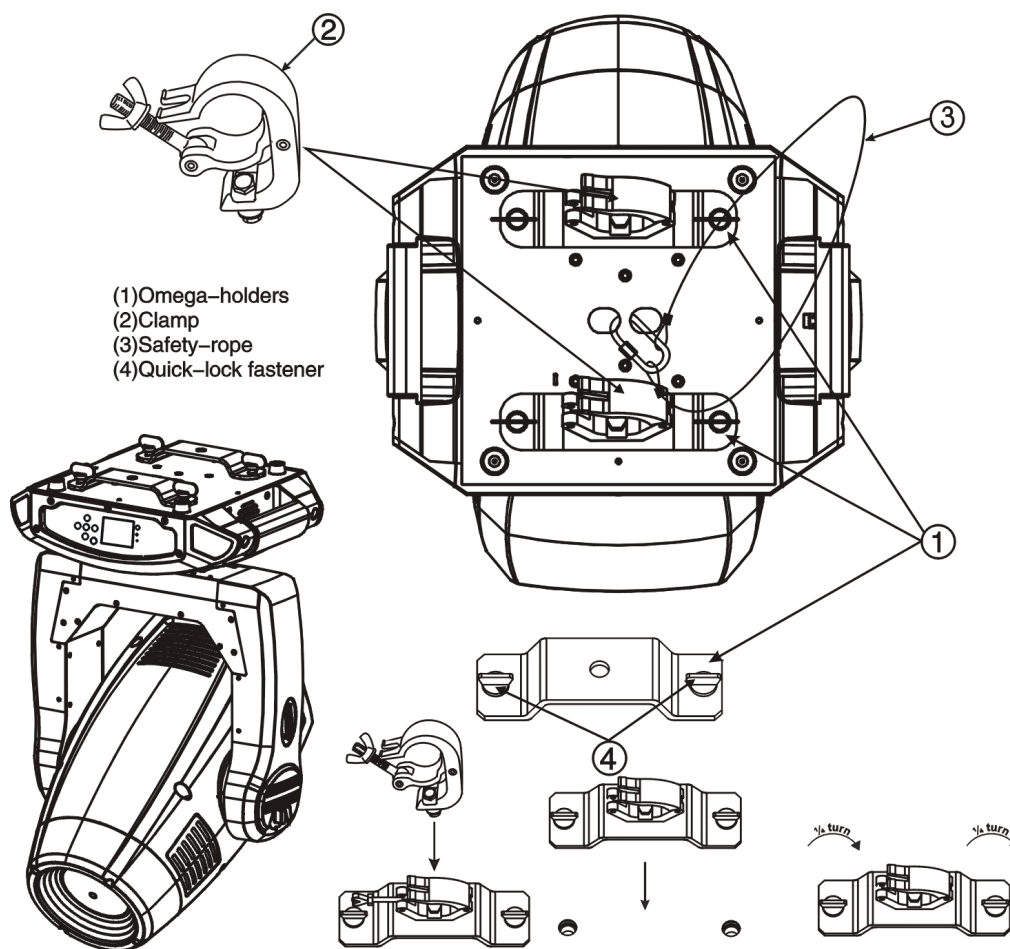


SAFETY CABLE

ALWAYS USE A SAFETY CABLE WHENEVER INSTALLING THIS FIXTURE IN A SUSPENDED ENVIRONMENT TO ENSURE THE FIXTURE WILL NOT DROP IF THE CLAMP FAILS.

CLAMP MOUNTING

The fixture provides a unique mounting bracket assembly that integrates the bottom of the base, the included **Omega Brackets (x2)** and safety cable rigging point in one unit (see the illustration below). When mounting this fixture to truss be sure to secure an appropriately rated clamps to the included omega brackets using a M10 screw fitted through the center hole of the **Omega Bracket**. Be sure to attach the included **Safety Cable** to the fixture using the safety cable rigging point integrated in the base assembly.



SECURING

Regardless of the rigging option you choose for your fixture always be sure to secure your fixture with a safety cable. The fixture provides a built-in rigging point for a safety cable on the hanging bracket as illustrated above. Be sure to only use the designated rigging point for the safety cable and never secure a safety cable to a carrying handle.

FIXTURE MENU

ON-BOARD SYSTEM MENU

The **SATURA SPOT LED PRO™** comes with an easy to navigate system menu. The next section will detail the functions of each command in the system menu.

LCD MENU CONTROL PANEL

The control panel (see image below) located on back of the fixture allows you to access the main menu and make all necessary adjustments to the **SATURA SPOT LED PRO™**. During normal operation, pressing **MODE/ESC** button once will access the fixture's main menu. Once in the main menu you can navigate through the different functions and access the sub-menus with the **UP, DOWN, RIGHT, and LEFT** buttons. Once you reach a field that requires adjusting, press the **ENTER** button to activate that field and use the **UP** and **DOWN** buttons to adjust the field. Pressing the **ENTER** button once more will confirm your setting. You may exit the main menu at any time without making any adjustments by pressing the **MODE/ESC** button.

NOTE: To access the LCD Menu Control Display via the internal battery, press and hold the **DC SWITCH** button for 2 seconds. The LCD Menu Control Display will shut **OFF** automatically about 1 minute from the last button press. To shut **OFF** the LCD Menu Control Display immediately, set "**Reset Default**" menu option to "**ON**" in the "**Personality**" menu and press the **ENTER** button to confirm your selection.



**ELATION® SATURA SPOT LED PRO™
SYSTEM MENU - VERSION 2**

Specifications and features are subject to change without any prior written notice.

MAIN MENU	SUB MENU	OPTIONS / VALUES (Default Settings in BOLD)		DESCRIPTION	
FUNCTION	DMX Address	A001 ~ AXXX		DMX Address Setting	
	DMX Value	ALL.....		DMX Value Display	
	Slave Mode	Slave1, Slave2, Slave3		Slave Setting	
	Auto Program	Master / Alone		Auto Program	
	Sound Control	Master / Alone		Sound Control	
INFORMATION	Time Information	Current Time	XXXX (Hours)	Fixture Run Time From Power ON	
		Total Run Time	XXXX (Hours)	Fixture Total Run Time	
		Last Run Time	XXXX (Hours)	Clear Fixture Last Run Time	
		LastRun Pass	Password=XXX	Password 038	
		Clear Last Run	ON / OFF	Reset Fixture Last Run Time	
	Temperature Info	Head Temp	XXX C° / F°	Temperature in Fixture Head	
Software Ver	V1.0...		Software Version		
PERSONALITY	Status Settings	Address via DMX	ON /OFF	Address Via DMX	
		No DMX Status	Close/ Hold /Auto/Music	Auto Run If No DMX	
		Pan Reverse	ON/ OFF	Pan Reverse Movement	
		Tilt Reverse	ON/ OFF	Tilt Reverse Movement	
		Pan Degree	630/ 540 /540-90 Offset	Pan Degree Select	
		Feedback	ON /OFF	Movement Feedback	
		Movement Speed	Speed 1 ~ 4	Movement Mode Select	
		Mic Sensitivity	0-99%	Sensitivity of Microphone	
		Hibernation	OFF, 01M~99M, 15M	Stand By Mode	
	Service Setting	Password	Password=XXX		Password 050
		RDM PID	XXXXXX		RDM PID Code
	Fans Control	Auto , High, Low		Fans Speed Select	
	Display Setting	Shutoff Time	02~60m 05m	Display Shut Off Time	
		Display Reverse	ON/ OFF	Display Reverse 180°	
		Key Lock	ON/ OFF	Key Lock	
	Temp C/F	Celsius/ Fahrenheit		Temperature Switch Between C° / F°	
	Initial Effect	PAN =XXX		Initial Effect Position	
	Dimmer Modes	Standard, Stage, TV, Architectural, Theatre		Dimmer Mode Settings	
	Wireless DMX	WDMX OFF		De-activate WDMX	
		Activate WDMX		Activate WDMX	
		Act & Data Out		Act & Data Out	
Clear WDMX Memo		Reset Wireless DMX Mem			
Reset Default	ON / OFF		Restore factory settings		
Reset Function	Reset All			Reset All Motors	
	Reset Pan/Tilt			Reset Pan/Tilt	
	Reset Gobos			Reset Gobos	
	Reset Others			Reset Other Motors	
Effect Adjust	Test Channel	PAN		Test function	
	Manual Control	PAN = XXX,		Fine Adjustments	
	Calibrate Values	Calibrate Password			
PAN = XXX,				Password 050	

ELATION© SATURA SPOT LED PRO™ SYSTEM MENU - VERSION 2				
Specifications and features are subject to change without any prior written notice.				
MAIN MENU	SUB MENU	OPTIONS / VALUES (Default Settings in BOLD)		DESCRIPTION
User Mode Set	User Mode	Standard Mode		DMX Channel Modes
		Basic Mode		
		Extended Mode		
		User Mode A		User Defined Channel Assignment
		User Mode B		
	User Mode C			
Edit User Mode		Max Channel = XX	Edits User Defined Channel Assignments	
		PAN = CH01		
Edit Program	Select Programs	Auto Pro Part1 = Program 1~10 (Program 1)		Select Programs To Be Run
		Auto Pro Part2 = Program 1~10 (Program 2)		
		Auto Pro Part3 = Program 1~10 (Program 3)		
	Edit Program	Program 1	Program Test	Testing Program
		:	Step 01=SCxxx	Program In Loop
		Program 10	Step 64=SCxxx	Save and Exit
	Edit Scenes	Scene 001 ~ Scene 250	Pan,Tilt,.....	Save and Automatically Return
			--Fade Time-- --Scene Time--	Manual Scenes Edit
		Input By Outside	Stores Scenes via Ext DMX Console	
Record Controller	XX~XX		Automatic Scenes Recorder	

FUNCTION - Auto Program

Define fixture mode (**Master or Alone**) for running Auto Programs. Select desired internal programs under **“Select Program”**, set the number of steps under **“Edit Program”**, and edit individual scenes under **“Edit Scenes”**.

PERSONALITY - Status Settings - Address Via DMX

When ON, define the desired DMX address via an external controller.

1. Connect the fixture to the external controller and power ON.
2. Set the DMX value of **Channel 1** on the controller to **(7)**.
3. Set the DMX value of **Channel 2** on the controller to **(7)** or **(8)**.
 When set to **(7)**, the DMX address can be set between **(1)** and **(255)**.
 When set to **(8)**, the DMX address can be set between **(256)** and **(511)**.
4. Using **Channel 3** on the controller set the desired DMX address of the fixture.

Example 1:

If the desired DMX address is **57**, set **Channel 1** to a value of **(7)**, set **Channel 2** to a value of **(7)**, and then set **Channel 3** to a value of **(57)**.

Example 2:

If the desired DMX address is **420**, set **Channel 1** to a value of **(7)**, set **Channel 2** to a value of **(8)**, and then set **Channel 3** to a value of **(164)**. (256+164=420)

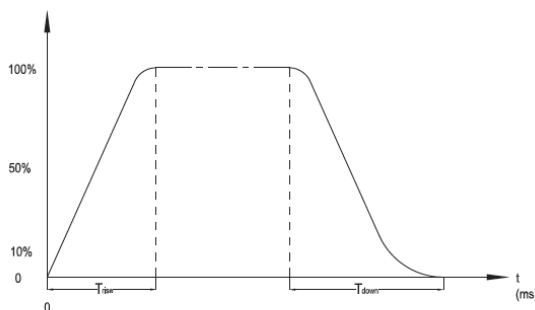
5. After setting **Channel 3** to the desired DMX address value, wait for approximately 20 seconds for the fixture to complete the address reset function.

PERSONALITY - Display Setting – Key Lock

When ON, Control Panel buttons lock automatically after exiting main menu for 15 seconds. To unlock, keep **MODE/ESC** button pressed for 3 seconds.

PERSONALITY – Dimmer Modes

Select desired DIMMER MODE (Standard, Stage, TV, Architectural, Theatre).



Ramp Effect	0 255 OS (Fade Time)		0 255 1S (Fade Time)	
	T _{rise} (ms)	T _{down} (ms)	T _{rise} (ms)	T _{down} (ms)
Standard	0	0	0	0
Stage	780	1100	1540	1660
TV	1180	1520	1860	1940
Architectural	1380	1730	2040	2120
Theatre	1580	1940	2230	2280

EFFECT ADJUST – Test Channel

Select and auto test each individual channel function independently from the DMX control board.

EFFECT ADJUST – Manual Control

Select and manually test and fine adjust each individual channel function independently from DMX control board. This function will center PAN and TILT motors and set dimmer to 100%. PAN and TILT functions will still operate if the fixture needs to be positioned to a flat clear surface. With the individual functions, you can focus the light on a flat surface (wall) and perform fine adjustments.

EFFECT ADJUST – Calibration

ONLY QUALIFIED TECHNICIANS SHOULD PERFORM THIS FUNCTION.

This function allows small adjustments to be made to the effect wheels to compensate for wear or in the event a sensor has been knocked slightly out of place. Because improper use of this function can result in undesired operation this function has been password protected. The password is **050** and must be entered each time the calibration menu function is entered. Because calibration is an extremely delicate procedure, instructions on performing this action are left out of this manual. For a first time calibrator, please contact our customer support team for step-by-step instructions.

USER MODE SET – User Mode

Select operating mode, which includes DMX Channel and User defined modes.

USER MODE SET – Edit User Mode

Create user defined channel orders allowing the fixture to match the channel order of other fixtures on the market for easier operation. A total of three user modes may be configured: User Mode A, User Mode B, and User Mode C.

EDIT PROGRAM – Select Program

Select one of the (10) user defined internal Auto Programs.

EDIT PROGRAM – Edit Program

Edit any of the (10) user defined internal Auto Programs.

EDIT PROGRAM – Edit Scenes

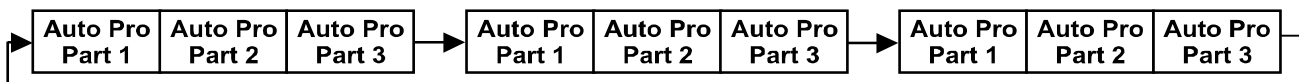
Edit any of the scenes of the internal Auto Programs.

EDIT PROGRAM – Record Controller

The fixture features an integrated DMX-recorder by which you can transmit the programmed scenes from your DMX-controller to the moving head. Adjust the desired scene numbers via the encoder (from – to). When you call up the scenes at your controller, they will automatically be transmitted to the moving head.

EDIT PROGRAM – Record Controller – Working With Built In Programs

A Master unit can send up to 3 different data groups to the Slave units, i.e. a Master unit can start 3 different Slave units, which run 3 different programs. The Master unit sends the 3 program parts in a continuous loop.



The Slave unit receives data from the Master unit according to the group which the Slave unit was assigned to. If e.g. a Slave unit is set to “**Slave 1**” in the menu “**Set to Slave**”, the Master unit sends “**Auto Program Part 1**” to the Slave unit.

If set to “**Slave 2**”, the Slave unit receives “**Auto Program Part 2**”.

To start an Auto Program proceed as follows:

1. Slave Setting

- Select “**Function Mode**”.
- Press **ENTER** to confirm.
- Select “**Set to Slave**”.
- Press **ENTER** to confirm.
- Select “**Slave 1**”, “**Slave 2**” or “**Slave 3**”.
- Press **ENTER** to confirm.
- Press **MODE/ESC** in order to return to the main menu.

2. Automatic Program Run

- Select “**Function Mode**”.
- Press **ENTER** to confirm.
- Select “**Auto Program**”.
- Press **ENTER** to confirm.
- Select “**Master**” or “**Alone**”.
- Press **ENTER** to confirm.
- Press **MODE/ESC** in order to return to the main menu.

EDIT PROGRAM – Record Controller – Working With Built In Programs [continued]

3. Program Selection for Auto Pro Part

- Select “**Edit Program**”.
- Press **ENTER** to confirm.
- Select “**Select Programs**”.
- Press **ENTER** to confirm.
- Select “**Auto Pro Part 1**”, “**Auto Pro Part 2**” or “**Auto Pro Part 3**”, and select which Slave program is to be sent. Selection “**Part 1**” means, that the Slave unit runs the same program as the master units.
- Press **ENTER** to confirm.
- Press **MODE/ESC** in order to return to the main menu.

4. Program Selection for Edit Program

- Select “**Edit Program**”.
- Press **ENTER** to confirm.
- Select “**Edit Program**”.
- Press **ENTER** to confirm.
- Select the desired program. With this function you can edit specific scenes into a specific program.
- Press **ENTER** to confirm.
- Press **MODE/ESC** in order to return to the main menu.

5. Automatic Scene Recording

- Select “**Edit Program**”.
- Press **ENTER** to confirm.
- Select “**Edit Scenes**”.
- Select desired scene numbers. A maximum of 250 scenes can be programmed.
- Press **ENTER** to confirm.
- Press **MODE/ESC** in order to return to the main menu.

EDIT PROGRAM – Record Controller – Working With Built In Programs [continued]

Example:

Program 2 includes scenes: 10, 11, 12, & 13

Program 4 includes scenes: 8, 9, & 10

Program 6 includes scenes: 12, 13, 14, & 15

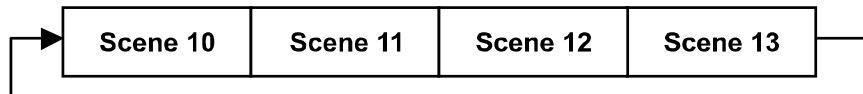
Auto Pro Part 1 is Program 2

Auto Pro Part 2 is Program 3

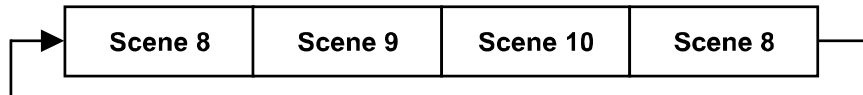
Auto Pro Part 3 is Program 6

The 3 Slave groups run the Auto Program in certain time segments, as shown in the following picture:

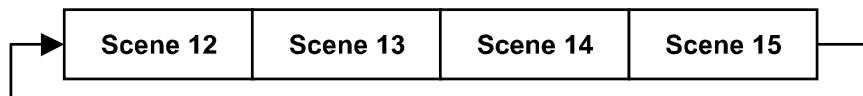
Part 1:



Part 2:



Part 3:



INTERNAL WIRELESS DMX RECEIVER (EWDMX)

The **SATURA SPOT LED PRO™** is equipped with an internal **Elation** Wireless DMX Receiver, which is fully compatible with an **Elation** Wireless DMX System.

WORKING WITH THE INTERNAL WIRELESS DMX (EWDMX) System

Access the “**Wireless DMX**” sub menu from the “**PERSONALITY**” menu. The “**Wireless DMX**” sub menu allows you to “**Activate**” (turn **ON**) the system, “**Deactivate**” (turn **OFF**) the system, or “**Reset**” (**CLEAR**) the **EWDMX** system.

When the **EWDMX** system is “**Activated**” the internal DMX “**IN**” XLR jacks are turned OFF. However the internal DMX “**OUT**” XLR jacks will function normally.

If the fixture is powered ON with the internal **EWDMX** system “**Activated**”, it will automatically scan for a wireless DMX signal from an **Elation Wireless Transmitter**. If NO wireless signal is received, it will electronically switch to the wired DMX mode.



WARNING!

NEVER connect fixture to a controller via a DMX cable when the EWDMX system is in use, as this could cause serious damage to the controller!!

SETTING UP THE EWDMX SYSTEM

Follow the instructions included with the **Elation EWDMX Transmitter** and connect it to the output of your DMX controller.

To sync your fixture with the **Elation EWDMX Transmitter** follow the steps below

- Initially, the **EWDMX** indicator on the fixture should be solid **RED**.
- Press and hold the configuration button on your **EWDMX Transmitter** for about 3 seconds. The **RED/GREEN LED** indicators on the **EWDMX Transmitter** and the fixture should then begin to flash rapidly for about 5~ 10 seconds while the two systems pair.
- Once the fixture is paired with the **EWDMX Transmitter (T1)**, the **EWDMX** status indicators on the both the fixture and the **EWDMX Transmitter** will stop flashing and glow solid **GREEN**. If pairing is unsuccessful repeat the process until pairing is secured.
- The fixture will store the pairing information inside a nondestructive memory bank once a link is created between the fixture and an **EWDMX Transmitter**. The fixture will remember the paired **EWDMX Transmitter** even if the fixture is turned OFF for extended periods of time.

CLEARING EWDMX TRANSMITTER LINK

- Access the fixture's main menu and toggle to the "**PERSONALITY**" menu, then access the "**Wireless DMX**" sub menu and select "**Clean WDMX Memo**" to clear any existing link between the fixture and a **EWDMX Transmitter**. The **EWDMX** indicator on the fixture will turn solid **RED** when the link is severed.
- You may also clear the link directly from the **EWDMX Transmitter**. First, be sure the fixture(s) is powered ON, and then hold down the configuration button on the **WDMX Transmitter** for at least 5 seconds. This will automatically clear the link between the **EWDMX Transmitter** and any fixture that is powered ON. All **EWDMX** indicators will glow solid **RED** if the procedure was successful.

EWDMX INDICATORS

RED/GREEN (Rapid Flashing) = Syncing to a EWDMX Transmitter

RED/GREEN (Slow Flashing) = Paired with a EWDMX Transmitter but not receiving a DMX signal from a controller.

GREEN (Solid) = Paired with a EWDMX Transmitter and receiving DMX data

RED (Solid) = Not paired with a EWDMX Transmitter (FREE)

DMX CHANNEL FUNCTIONS AND VALUES

ELATION® SATURA SPOT LED PRO™				
DMX Channel Values / Functions - VERSION 2 (32 DMX Channels)				
Specifications are subject to change without any prior written notice.				
*Rotation direction (Clockwise or Counterclockwise) of COLOR, GOBO, and PRISM effects depends on the orientation of the fixture head.				
MODE / CHANNEL			VALUE	FUNCTION
BASIC	STAND	EXTEND		
1	1	1		PAN MOVEMENT [8 BIT]
			0-255	PAN Movement
	2	2		PAN FINE MOVEMENT [16 BIT]
			0-255	Fine Control of PAN Movement
2	3	3		TILT MOVEMENT [8 BIT]
			0-255	TILT Movement
	4	4		TILT FINE MOVEMENT [16 BIT]
			0-255	Fine Control of TILT Movement
3	5	5		RED LED
			0-255	0-BLACK ~ 255-100% RED
		6		RED LED FINE
			0-255	RED FINE Adjustment
4	6	7		GREEN LED
			0-255	0-BLACK ~ 255-100% GREEN
		8		GREEN LED FINE
			0-255	GREEN FINE Adjustment
5	7	9		BLUE LED
			0-255	0-BLACK ~ 255-100% BLUE
		10		BLUE LED FINE
			0-255	BLUE FINE Adjustment
6	8	11		WHITE LED
			0-255	0-BLACK ~ 255-100% WHITE
		12		WHITE LED FINE
			0-255	WHITE FINE Adjustment
7	9	13		SHUTTER, STROBE
			0-31	Shutter CLOSED
			32-63	NO Function (Shutter OPEN)
			64-95	Strobe Effect SLOW to FAST
			96-127	NO function (Shutter OPEN)
			128-159	Pulse Effect In Sequences
			160-191	NO Function (Shutter OPEN)
			192-223	Random Strobe Effect SLOW to FAST
224-255	NO Function (Shutter OPEN)			
8	10	14		DIMMER INTENSITY
			0-255	Dimmer Intensity 0 to 100%
9	11	15		DIMMER INTENSITY FINE
			0-255	Dimmer Intensity FINE Adjustment

ELATION® SATURA SPOT LED PRO™				
DMX Channel Values / Functions - VERSION 2 (32 DMX Channels)				
Specifications are subject to change without any prior written notice.				
*Rotation direction (Clockwise or Counterclockwise) of COLOR, GOBO, and PRISM effects depends on the orientation of the fixture head.				
MODE / CHANNEL			FUNCTION	
BASIC	STAND	EXTEND	VALUE	
10	12	16	DIMMING CURVE MODES	
			0-20	Standard
			21-40	Stage
			41-60	TV
			61-80	Architectural
			81-100	Theatre
			101-255	Default to unit setting
11	13	17	COLOR MACROS	
			0-1	NO FUNCTION
			2	WHITE 2700K
			3	WHITE 3200K
			4	WHITE 4300K
			5	WHITE 5600K
			6	WHITE 6500K
			7	WHITE 8000K
			8-39	From RED to YELLOW
			40-71	From YELLOW to GREEN
			72-103	From GREEN to Cyan
			104-135	From CYAN to BLUE
			136-167	From BLUE to MAGENTA
			168-199	From MAGENTA to RED
			200-231	From RED to WHITE
232-255	Crossfading COLORS from SLOW to FAST			
12	14	18	ROTATING GOBO WHEEL, CONTINUOUS ROTATION	
			0-9	OPEN
			10-19	Rotating GOBO 1
			20-29	Rotating GOBO 2
			30-39	Rotating GOBO 3
			40-49	Rotating GOBO 4
			50-59	Rotating GOBO 5
			60-69	Rotating GOBO 6
			70-89	GOBO 1 Shake SLOW to FAST
			90-109	GOBO 2 Shake SLOW to FAST
			110-129	GOBO 3 Shake SLOW to FAST
			130-149	GOBO 4 Shake SLOW to FAST
			150-169	GOBO 5 Shake SLOW to FAST
			170-189	GOBO 6 Shake SLOW to FAST
			190-255	*Clockwise GOBO Wheel Rotation from SLOW to FAST
13	15	19	ROTATING GOBO WHEEL, INDEX ROTATION	
			0-127	GOBO Indexing
			128-189	*Clockwise GOBO Rotation from FAST TO SLOW
			190-193	NO Rotation
			194-255	*Counterclockwise GOBO Rotation from SLOW to FAST

ELATION® SATURA SPOT LED PRO™			
DMX Channel Values / Functions - VERSION 2 (32 DMX Channels)			
Specifications are subject to change without any prior written notice.			
*Rotation direction (Clockwise or Counterclockwise) of COLOR, GOBO, and PRISM effects depends on the orientation of the fixture head.			
MODE / CHANNEL			FUNCTION
BASIC	STAND	EXTEND	VALUE
		20	ROTATING GOBO WHEEL, FINE INDEX ROTATION
			0-255 Gobo Rotation FINE Indexing
			FIXED GOBO WHEEL
			0-13 OPEN
			14-27 GOBO 1
			28-41 GOBO 2
			42-55 GOBO 3
			56-69 GOBO 4
			70-83 GOBO 5
			84-97 GOBO 6
			98-111 GOBO 7
			112-127 GOBO 1 Shake SLOW to FAST
			128-143 GOBO 2 Shake SLOW to FAST
			144-159 GOBO 3 Shake SLOW to FAST
			160-175 GOBO 4 Shake SLOW to FAST
			176-191 GOBO 5 Shake SLOW to FAST
			192-207 GOBO 6 Shake SLOW to FAST
			208-223 GOBO 7 Shake SLOW to FAST
			224-255 GOBO Wheel Rotation from SLOW to FAST
			ROTATING PRISM, PRISM / GOBO MACROS
			0-63 OPEN
			64-127 3-Facet PRISM
			128-135 Macro 1
			136-143 Macro 2
			144-151 Macro 3
			152-159 Macro 4
			160-167 Macro 5
			168-175 Macro 6
			176-183 Macro 7
			184-191 Macro 8
			192-199 Macro 9
			200-207 Macro 10
			208-215 Macro 11
			216-223 Macro 12
			224-231 Macro 13
			232-239 Macro 14
			240-247 Macro 15
			248-255 Macro 16
			ROTATING PRISM, INDEX ROTATION
			0-127 PRISM Indexing
			128-189 *Clockwise PRISM Rotation from FAST to SLOW
			190-193 NO Rotation
			194-255 *Counterclockwise PRISM Rotation from SLOW to FAST
14	16	21	
15	17	22	
16	18	23	

ELATION® SATURA SPOT LED PRO™			
DMX Channel Values / Functions - VERSION 2 (32 DMX Channels)			
Specifications are subject to change without any prior written notice.			
*Rotation direction (Clockwise or Counterclockwise) of COLOR, GOBO, and PRISM effects depends on the orientation of the fixture head.			
MODE / CHANNEL			FUNCTION
BASIC	STAND	EXTEND	
17	19	24	FOCUS
			0-255 Continuous Adjustment from FAR to NEAR
		25	FOCUS FINE
			0-255 Continuous Focus FINE Adjustment
18	20	26	MOTORIZED ZOOM
			0-255 ZOOM Adjustment from SMALL to BIG
		27	MOTORIZED ZOOM FINE
			0-255 Zoom FINE Adjustment
19	21	28	FROST
			0-127 Open
			128-255 100% Frost
20	22	29	IRIS
			0-191 MAX to MIN Diameter
			192-223 Pulse Opening FAST to SLOW
			224-255 Pulse Closing SLOW to FAST
		30	IRIS FINE
			0-255 Iris FINE Adjustment
21	23	31	PAN / TILT MOVEMENT SPEED
			0-225 MAX to MIN Speed
			226-235 BLACKOUT by Movement
			236-245 BLACKOUT by ALL Wheel Changing
			246-255 NO Function
22	24	32	LAMP ON/OFF, RESET, INTERNAL PROGRAMS
			0-19 GOBO Change Normal
			20-29 NO Function
			30-39 GOBO Change to Any Position
			40-79 NO Function
			80-84 ALL MOTOR Reset
			85-87 SCAN MOTOR Reset
			88-90 NO Function
			91-93 GOBO MOTOR Reset
			94-96 NO Function
			97-99 OTHER MOTOR Reset
			100-119 Internal Program 1 (Scene 1-8)
			120-139 Internal Program 2 (Scene 9-16)
			140-159 Internal Program 3 (Scene 17-24)
			160-179 Internal Program 4 (Scene 25-32)
			180-199 Internal Program 5 (Scene 33-40)
			200-219 Internal Program 6 (Scene 41-48)
220-239 Internal Program 7 (Scene 49-56)			
240-255 Sound Control (Scene of Program 1)			

ERROR CODES

When power is applied, the unit will automatically enter a **“Reset/Test”** mode. This mode brings all the internal motors to a home position. If there is an internal problem with one or more of the motors an error code will flash in the display in the form of **“XXer”** where as XX will represent a function number. For example, when the display shows **“0Er”** it means there is some type of error with the Pan motor. If there are multiple errors during the start-up process they will all flash in the display. For example: if the fixtures has errors on **Channel 1, 2, and 5** all at the same time, you will see the error message **“01Er”, “02Er”, and “05Er”** flash repeated 5 times.

If an error does occur during the initial start-up procedure the fixture will self-generate a second reset signal and try to realign all the motors and correct the errors. If the error persists after a second attempt a third attempt will be made. If after a third attempt all the errors have not been corrected the fixture will make the following determinations:

- **3 or More Errors** - The fixture cannot function properly with three or more errors therefore the fixture will place itself in a stand-by mode until subsequent repairs can be made.
- **Less Than 3 Errors** - The fixture has less than 3 errors; therefore most other functions will work properly. The fixture will attempt to operate normally until the errors can be correct by a technician. The errors in question will remain flashing in the display as a reminder of internal errors.

ERROR CODES
PAN Movement Er
TILT Movement Er
Gobo Wheel 1 Er
Gobo Rot 1 Er
Gobo Wheel 2 Er
Focus Er
Iris Er
Zoom Er

CLEANING AND MAINTENANCE



C A U T I O N

Disconnect power before cleaning or maintenance.

CLEANING

Frequent cleaning is recommended to insure proper function, optimized light output, and an extended life. The frequency of cleaning depends on the environment in which the fixture operates: damp, smoky or particularly dirty environments can cause greater accumulation of dirt on the fixture's optics.

- Clean the external lens surface at least every 20 days with a soft cloth to avoid dirt/debris accumulation.
- Never use alcohol, solvents, or ammonia based cleaners.

MAINTENANCE

Regular inspections are recommended to insure proper function and extended life. There are no user serviceable parts inside this fixture, please refer all other service issues to an authorized Elation service technician. Should you need any spare parts, please order genuine parts from your local Elation dealer.

Please refer to the following points during routine inspections:

- A detailed electric check by an approved electrical engineer every three months, to make sure the circuit contacts are in good condition and prevent overheating.
- Be sure all screws and fasteners are securely tightened at all times. Loose screws may fall out during normal operation resulting in damage or injury as larger parts could fall.
- Check for any deformations on the housing, color lenses, rigging hardware and rigging points (ceiling, suspension, trussing). Deformations in the housing could allow for dust to enter into the fixture. Damaged rigging points or unsecured rigging could cause the fixture to fall and seriously injure a person(s).
- Electric power supply cables must not show any damage, material fatigue or sediments. Never remove the ground prong from the power cable.

TECHNICAL SPECIFICATIONS

SOURCE

300W LED Engine

60,000 Hour Average LED Engine Life*

*May vary depending on several factors including but not limited to:
Environmental Conditions, Power/Voltage, Usage Patterns (On-Off Cycling), Control, and Dimming.

EFFECTS

3-Facet Rotating-Indexing Prism and Frost Filter

High Speed Shutter and Iris

Strobe: 1-18fps

Dimming: 0% - 100%

Variable Dimming Curve Modes

COLOR

RGBW Color Mixing and Color Macros

Variable Color Temperatures (2,700K - 8,000K)

GOBOS

Wheel 1: (6) Rotating-Interchangeable Gobos

Wheel 2: (7) Static-Stamped Gobos

CONTROL / CONNECTIONS

(3) DMX Channel Modes (22 / 24 / 32)

6 Button Touch Control Panel

RDM (Remote Device Management)

Full Color 180° Reversible LCD Menu Display

16 Bit 3-Phase Motors

8 / 16 Bit Resolution Adjustable Movement

3pin and 5pin DMX In/Out

powerCON Power In

SIZE / WEIGHT

Length: 16.9" (430mm)

Width: 20.0" (508mm)

Vertical Height: 28.4" (721mm)

Weight: 65.0 lbs. (29.5 kg)

ELECTRICAL / THERMAL

AC 100-240V - 50/60Hz

450W Max Power Consumption

14°F to 113°F (-10°C to 45°C)

APPROVALS / RATINGS

CE | cETLus | RoHs Compliant | IP20



Please Note: Specifications and improvements in the design of this unit and this manual are subject to change without any prior written notice.

COLORS AND GOBOS

COLORS



RGBW
COLOR MIXING

INTERCHANGEABLE-ROTATING GOBO WHEEL 1 - OD: Ø28.8mm** ID: Ø24.0mm



Pos. 1

Pos. 2

Pos. 3

Pos. 4

Pos. 5

Pos. 6

STATIC-STAMPED GOBO WHEEL 2



Pos. 1

Pos. 2

Pos. 3

Pos. 4

Pos. 5

Pos. 6

Pos. 7

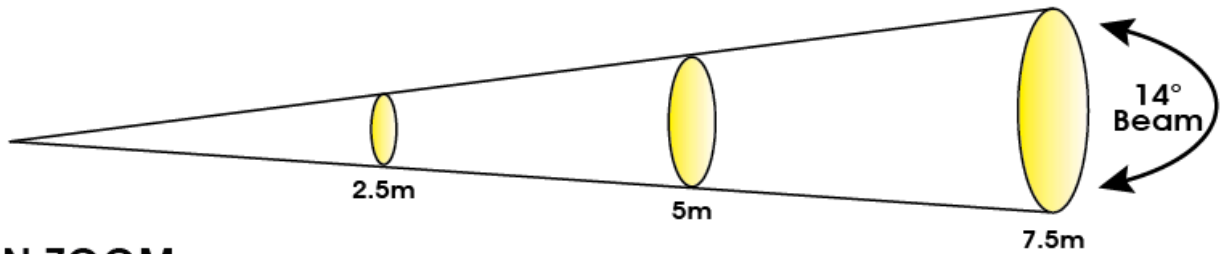
****IMPORTANT NOTICE REGARDING GOBO DIMENSIONS AND CUSTOM GOBOS**

OD = Outside Diameter | ID = Image Diameter

Due to varying manufacturing processes, it is highly recommended to provide a gobo and holder sample from the fixture to 3rd party custom gobo vendors for accurate sizing.

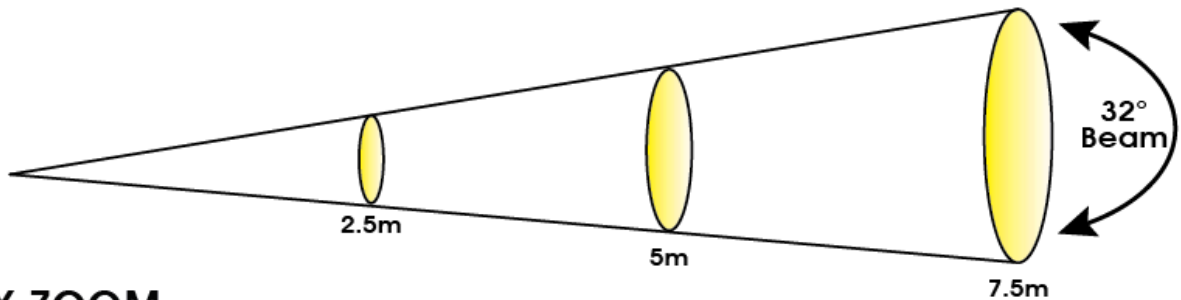
Please Note: Specifications and improvements in the design of this unit and this manual are subject to change without any prior written notice.

PHOTOMETRIC DATA



MIN ZOOM

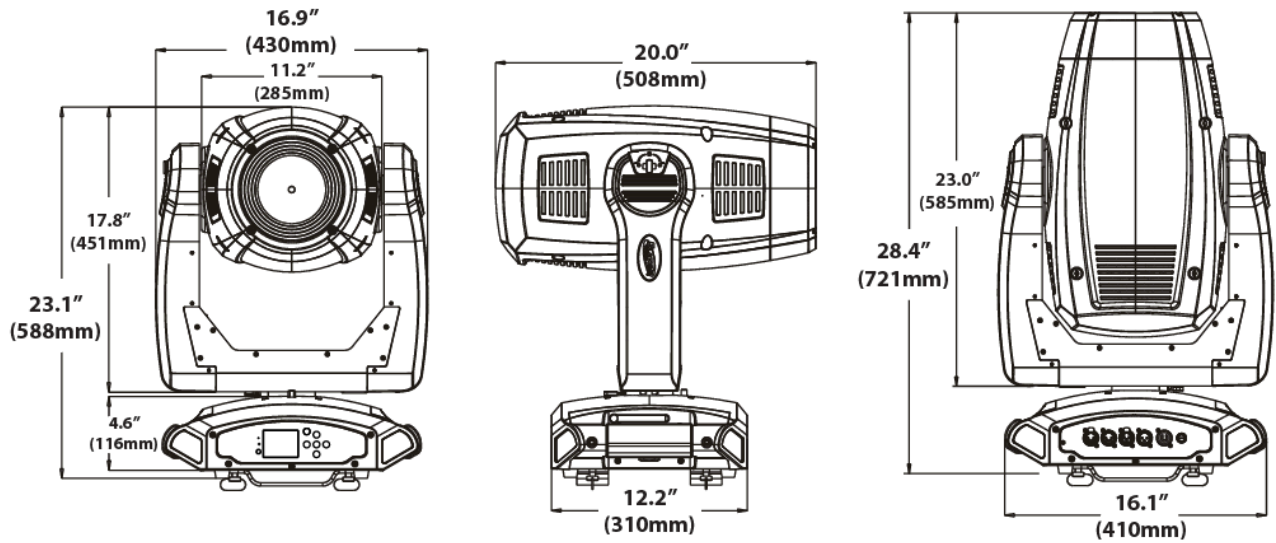
	m	ft	m	ft	m	ft
Distance	2.5	8.2	5	16.4	7.5	24.6
14° Beam Diameter	0.65	2.1	1.3	4.3	1.95	6.4
Photometrics	lux	fc	lux	fc	lux	fc
FULL ON	14,780	1,373	3,855	358	1,726	160
RED	2,480	230	650	60	274	25
GREEN	4,480	416	173	16	522	48
BLUE	580	54	148	14	66	6
WHITE	8,978	834	2,345	218	1,054	98



MAX ZOOM

	m	ft	m	ft	m	ft
Distance	1	3.3	2	6.6	3	9.8
32° Beam Diameter	1.47	4.8	2.94	9.6	4.41	14.5
Photometrics	lux	fc	lux	fc	lux	fc
FULL ON	3,411	317	890	83	410	38
RED	595	55	150	14	70	7
GREEN	1,031	96	265	25	120	11
BLUE	130	12	35	3	15	1
WHITE	2,083	194	540	50	243	23

DIMENSIONAL DRAWINGS



Please Note: Specifications and improvements in the design of this unit and this manual are subject to change without any prior written notice.

OPTIONAL ACCESSORIES

ORDER CODE	ITEM
TRIGGER CLAMP	Heavy Duty Wrap Around Hook Style Clamp
DRCSTOUR	Touring Road Case For Satura Spot LED PRO™
AC3PDMX5PRO	5 ft. (1.5m) 3pin PRO DMX Cable
AC5PDMX5PRO	5 ft. (1.5m) 5pin PRO DMX Cable
	Additional Cable Lengths Available

