



## ZW19™

SKU# ZW1901

The new ZW19™ is an LED moving head beam/wash effect luminaire featuring (19) 10W RGBW 4-in-1 LEDs, motorized 10° to 60° zoom, 64 color macros, fast and precise 540° pan and 220° tilt rotation, 16-bit fine resolution adjustable movement, strobe, and selectable dimming curve effects, 3/5pin XLR and powerCON in/out connections, (4) button control 180° reversible menu display, 245W max power consumption, and a multi-voltage universal auto switching power supply (100-230v).



### FEATURES

**LED Moving Head Beam/Wash Effect Luminaire**

**(19) 10W RGBW 4-in-1 LEDs**

**10° - 60° Motorized Zoom**

**64 Color Macros**

**Fast and Precise 540° Pan / 220° Tilt Rotation**

**16-Bit Fine Resolution Adjustable Movement**

**Strobe and Selectable Dimming Curve Effects**

**Multiple Unit Power Linking**



Specifications are subject to change without notice ©Elation Professional 01/19/16

Elation Professional USA | 6122 S. Eastern Ave. | Los Angeles, CA. 90040  
323-582-3322 | 323-832-9142 fax | www.elationlighting.com | info@elationlighting.com

Elation Professional B.V. | Junostraat 2 | 6468 EW Kerkrade, The Netherlands  
+31 45 546 85 66 | +31 45 546 85 96 fax | www.elationlighting.eu | info@elationlighting.eu

**PRODUCT SPECIFICATIONS**

**SOURCE**

(19) 10W RGBW 4-in-1 LEDs  
50,000 Hour Average LED Life\*

\*LED Life may vary depending on several factors including but not limited to: Environmental Conditions, Power/Voltage, Usage Patterns (On-Off Cycling), Control and Dimming.

**PHOTOMETRIC DATA (10° Full ON)**

65,000 LUX 6,039 FC @3.3' (1m)  
29,500 LUX 2,741 FC @6.6' (2m)  
12,600 LUX 1,171 FC @9.8' (3m)  
6,900 LUX 641 FC @13.1' (4m)  
4,400 LUX 409 FC @16.4' (5m)

**EFFECTS**

(64) Color Macros  
Motorized Zoom: 10° - 60°  
Electronic Dimming: 0% - 100%  
Strobe and Selectable Dimming Curves

**COLOR**

RGBW Color Mixing

**CONTROL / CONNECTIONS**

(14) DMX Channels  
4 Button Touch Control Panel  
Pan: 540° / Tilt: 220°  
Pan/Tilt Inverse Mode  
180° Reversible LCD Menu Display  
16-Bit Fine Resolution Adjustable Movement  
3pin/5pin DMX In/Out  
powerCON Power In/Out  
Power Link Up To (5) Units at 120V (11) Units at 230V

**SIZE / WEIGHT**

Length: 12.6" (321mm)  
Width: 8.1" (206mm)  
Vertical Height: 15.6" (395mm)  
Weight: 19.0 lbs. (8.6 kg)

**ELECTRICAL / THERMAL**

AC 100-230V - 50/60Hz  
245W Max Power Consumption  
-4°F (-20°C) to 104°F (40°C)

**APPROVALS / RATINGS**

CE | IP20

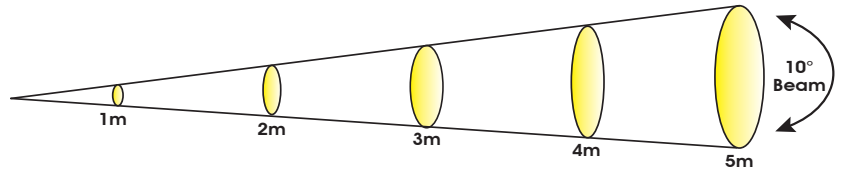
**INSTALLATION**

Rigging: Clamps (Not Included)  
Working Position: Flat Surface / Inverted (180°)

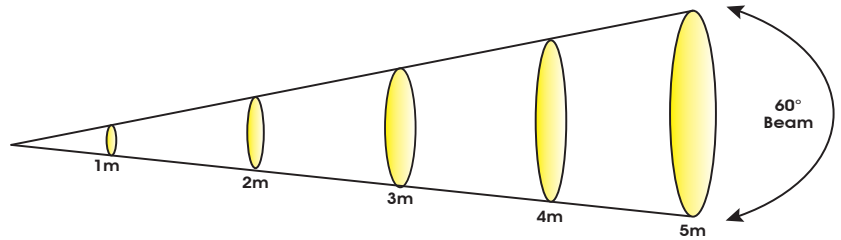
**INCLUDED ITEMS**

Omega Bracket  
powerCON Cable

**PHOTOMETRIC DATA**

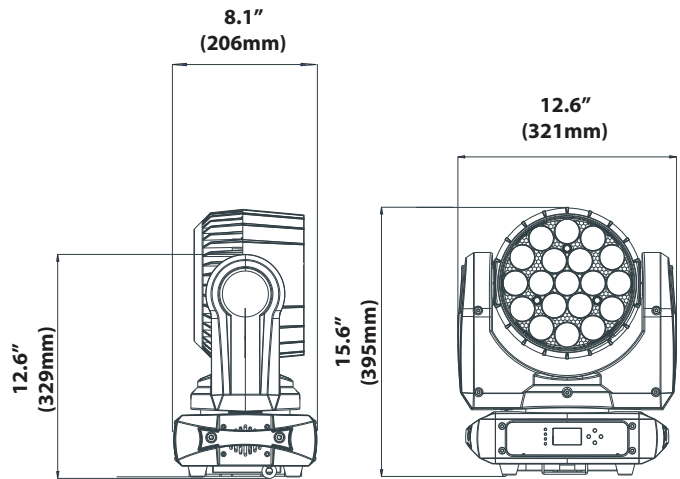


10° Beam Diameter	1 m	3.3 ft	2 m	6.6 ft	3 m	9.8 ft	4 m	13.1 ft	5 m	16.4 ft
	lux	fc	lux	fc	lux	fc	lux	fc	lux	fc
RED LEDs	8,500	790	4,200	390	1,700	158	970	90	620	58
GREEN LEDs	26,000	2,415	10,800	1,003	5,000	465	2,700	251	1,700	158
BLUE LEDs	8,800	818	380	35	160	15	90	8	63	6
WHITE LEDs	31,500	2,926	14,000	1,301	6,000	557	3,300	307	2,100	195
FULL ON	65,000	6,039	29,500	2,741	12,600	1,171	6,900	641	4,400	409



60° Beam Diameter	1 m	3.3 ft	2 m	6.6 ft	3 m	9.8 ft	4 m	13.1 ft	5 m	16.4 ft
	lux	fc	lux	fc	lux	fc	lux	fc	lux	fc
RED LEDs	1,000	93	2,800	260	130	12	220	20	55	5
GREEN LEDs	3,000	279	800	74	380	35	10	1	140	13
BLUE LEDs	1,100	102	31	3	16	1	250	23	8	1
WHITE LEDs	3,600	334	951	88	460	43	540	50	170	16
FULL ON	7,200	669	2,000	186	900	84	6,900	641	360	33

**DIMENSIONAL DIAGRAMS**



**OPTIONAL ACCESSORIES**

ORDER CODE	ITEM
TRIGGER CLAMP	Heavy Duty Wrap Around Hook Style Clamp
EWDMSYSTEM	Wireless DMX System (1 Transmitter, 1 Receiver)
PLC3	3' (1m) PowerCON PRO Link Cable
AC3PDMX5PRO	5 ft. (1.5m) 3pin PRO DMX Cable
AC5PDMX5PRO	5 ft. (1.5m) 5pin PRO DMX Cable
	Additional cable lengths available



Specifications are subject to change without notice ©Elation Professional 01/19/16

Elation Professional USA | 6122 S. Eastern Ave. | Los Angeles, CA. 90040  
323-582-3322 | 323-832-9142 fax | www.elationlighting.com | info@elationlighting.com

Elation Professional B.V. | Junostraat 2 | 6468 EW Kerkrade, The Netherlands  
+31 45 546 85 66 | +31 45 546 85 96 fax | www.elationlighting.eu | info@elationlighting.eu