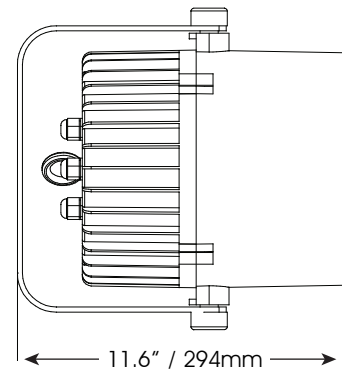
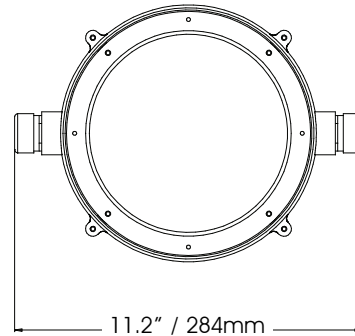




Optional wireless infrared remote available: ELAR WR



ELAR EXPAR Dimensions

The ELAR EXPAR by Elation Architectural is a high powered outdoor LED par fixture featuring 145 x 10mm LEDs, RGB color mixing producing infinite colors, 0-100% electronic dimming, slow to fast strobing and a 40° beam angle. This unit is rated at IP65, ideal for indoor or outdoor applications and includes outdoor rated power and data cables along with a/c power 120v input PPG cable (a 240V model is available). The ELAR EXPAR is power/data linkable and is equipped with an internal power supply. The unit is safe in any working position and can be operated in two user modes: DMX-512 or stand alone. There are two DMX modes, a 3 channel mode and a 5 channel mode. Optional accessories for the ELAR EXPAR include ELAR WR wireless infrared remote, optional 180° snoot and optional 360° snoot. Plus with the optional ELAR WR remote users can access internal programs and allow manual control of the unit as well as set DMX start channel address.

FEATURES

- High output LED RGB outdoor par
- 145 x 10mm L.E.D.s (27 red, 60 green & 58 blue)
- RGB Color Mixing (infinite colors)
- Standard 40° beam angle
- Optional 360° / 180° snoots available
- IP 65 rated
- Die-cast aluminum housing
- UV protected front plexi
- Internal power supply
- Power / Data linkable
- DMX-512 or stand alone
- Optional wireless infrared remote available: ELAR WR

TECHNICAL SPECIFICATIONS

- **DMX Channels:** 5 DMX Channels with 2 DMX modes: 3 channel mode and 5 channel mode
- **Control:** USITT DMX-512, 3 pin XLR serial input/output
- **Dimmer:** 0-100% Electronic Dimming
- **Strobe:** Slow to fast
- **IP Rating:** IP 65
- **Power Supply:** 120V/60Hz or 240/50Hz
- **Power consumption:** 20W
- **Lamp:** 145 x 10mm L.E.D.s (27 red, 60 green & 58 blue)
- **Dimensions:** (LxWxH): 9.5" x 8" x 12" / 240 x 200 x 305 mm
- **Weight:** 11 lbs. / 4.8 kgs.
- **Rigging:** Mounting yoke bracket and safety hook for mounting

ELAR EXPAR



COLORS

- Total of 145 x 10mm L.E.D.s (27 red, 60 green & 58 blue)
- RGB Color Mixing (infinite colors)



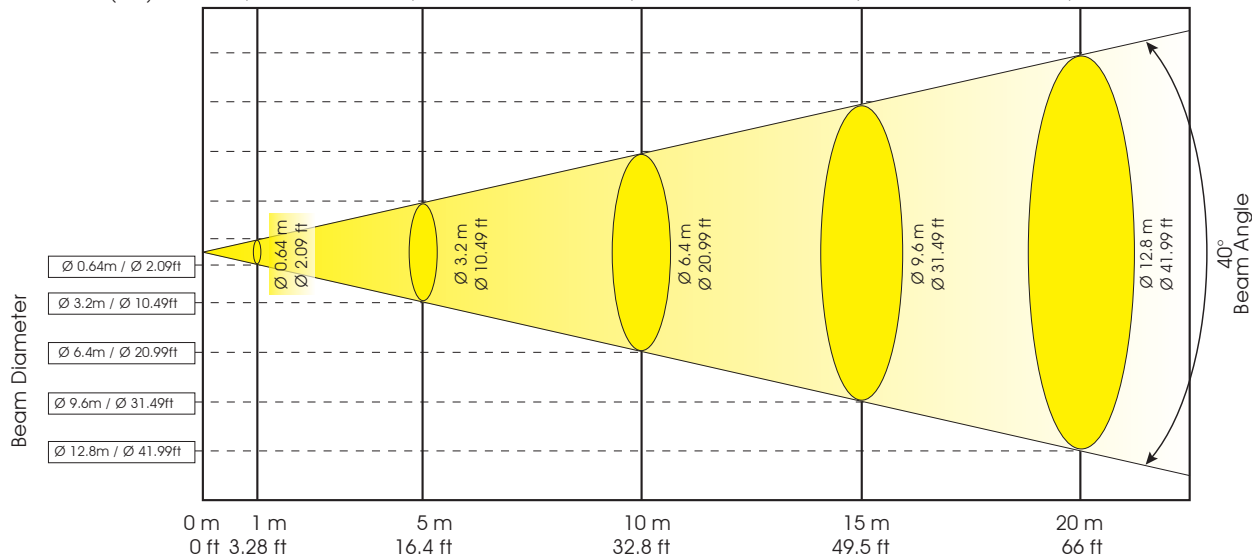
PHOTOMETRICS

ELAR EXPAR Photometric Beam Angle Data

Standard Beam Angle 40°

LUX x 0.0929 = FC

R (27)	54 FC / 580 LUX	3.4 FC / 37 LUX	1 FC / 12 LUX	0.5 FC / 6 LUX	0.3 FC / 3.5 LUX
G (60)	145 FC / 1560 LUX	8 FC / 83 LUX	2.7 FC / 29 LUX	1.5 FC / 16 LUX	0.8 FC / 9 LUX
B(58)	185 FC / 1988 LUX	11 FC / 121 LUX	4 FC / 41 LUX	2 FC / 24 LUX	1.2 FC / 13 LUX
RGB (145)	383 FC / 4128 LUX	22 FC / 241 LUX	8 FC / 82 LUX	4.3 FC / 46 LUX	2.4 FC / 25.5 LUX



DMX TRAITS

3 Channel Mode

Channel	Value	Function
1	0 - 255	Red (0% - 100%)
2	0 - 255	Green (0% - 100%)
3	0 - 255	Blue (0% - 100%)

5 Channel Mode

Channel	Value	Function
1	0 - 255	Red (0% - 100%)
2	0 - 255	Green (0% - 100%)
3	0 - 255	Blue (0% - 100%)
4	0 - 255	Dimming (0 - 100%)
5	0 - 10	Strobing: no function
	11 - 255	Strobing: slow to fast

Product Order Code	Description
ELAR EXPAR	High output LED RGB outdoor flood
Accessories Order Code	Description
ELAR WR	Wireless infrared remote
ELAR 3C-1M	3 PIN SIGNALAR EXT. CABLE 1 M
ELAR 3C-5M	3 PIN SIGNALAR EXT. CABLE 5 M
ELAR T-DMX-1	3 PIN DMX FIRST CABLE SIGNALAR EXT. CABLE 1M
ELAR T-DMX-5	3 PIN DMX FIRST CABLE SIGNALAR EXT. CABLE 5M