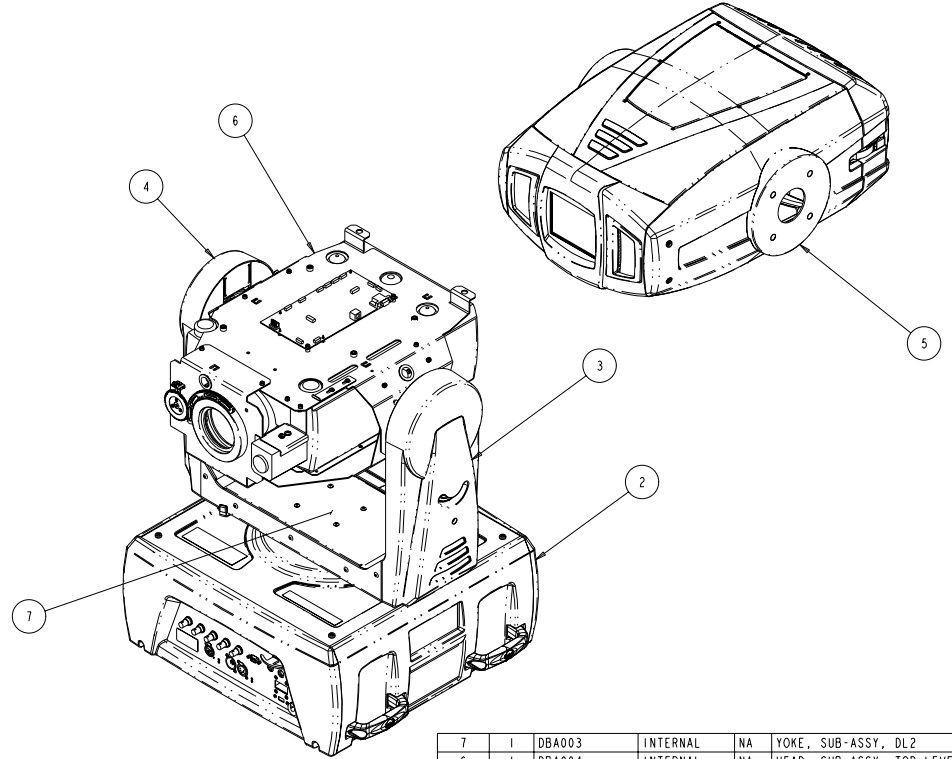
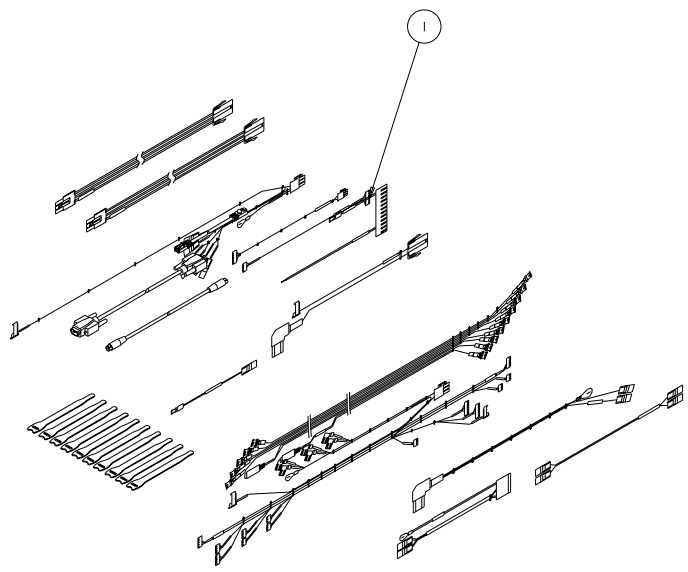


DBA001

REV.	DESCRIPTION	DATE	ENG	ECO #	APPR



ITEM NO.	QTY.	FILENAME	PART NO.	REV	DESCRIPTION
7	I	DBA003	INTERNAL	NA	YOKE, SUB-ASSY, DL2
6	I	DBA004	INTERNAL	NA	HEAD, SUB-ASSY, TOP LEVEL DL2
5	I	DBA005	INTERNAL	NA	COVERS, SUB-ASSY TOP LEVEL DL2
4	I	CATA056	80480013	-	COVER, ASSY YOKE ARM, LATCH SIDE DL1
3	I	CATA055	80480011	-	COVER, ASSY YOKE ARM DL1
2	I	DBA002	INTERNAL	NA	ASSY, TOP BOX MAIN DL2
1	I	DBA008_MISC	INTERNAL	NA	ASSY, MISC COMPONENTS, DL2

BILL OF MATERIALS

PROPRIETARY NOTICE:
 THIS DOCUMENT CONTAINS CONFIDENTIAL AND PROPRIETARY INFORMATION OF HIGH END SYSTEMS INC., (ALSO DBA LIGHTWAVE RESEARCH) AND IS GIVEN TO THE RECEIVER IN CONFIDENCE. THE RECEIVER ACCEPTS AND AGREES THAT, EXCEPT AS AUTHORIZED BY HIGH END SYSTEMS, THE RECEIVER WILL NOT PERMIT THE USE OF THE DOCUMENT OR ANY COPY THEREOF OR THE INFORMATION THEREIN, WILL NOT COPY OR PERMIT COPYING THE DOCUMENT WILL NOT DISCLOSE TO OTHERS EITHER THE DOCUMENT OR THE INFORMATION THEREIN, AND WILL UPON COMPLETION OF THE NEED TO RETAIN THE DOCUMENT, OR UPON DEMAND, RETURN THE DOCUMENT WITHOUT RETAINING ANY OF THE INFORMATION CONTAINED THEREIN IN ANY FORM WHATSOEVER.

UNLESS OTHERWISE SPECIFIED DIMENSIONAL TOLERANCES: 0 PLACE DECIMAL = ±0.38 1 PLACE DECIMAL = ±0.25 2 PLACE DECIMALS = ±0.13 ANGLES = ±0.5°	RELEASE DATE: ENG: ME: MFG:	CE: OA: DRW: LARRY R	2105 GRACY FARMS LANE AUSTIN, TEXAS 78758 (512) 836-2242 FAX (512) 832-4128 ***** http://www.highend.com	
FOR PAINTED PARTS REFER TO ENG. SPEC. MANUAL WI-0592	MATERIAL: CHARTED	FINISH: NA	DESCRIPTION: ASSY, TOP LEVEL FIXTURE, DL2	
MIN. DRAFT	MIN. RADII	INTERPRET DIMENSIONS PER ASME Y14.5M-1994 THIRD ANGLE PROJECTION DIMENSIONS ARE IN MILLIMETERS		PART NO. INTERNAL DBA001 DRAWING NO. DBA001 REV. NA
THICKNESS	VOLUME	DO NOT SCALE	SCALE: 0.250	SHEET: 1 OF 1