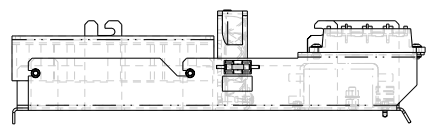
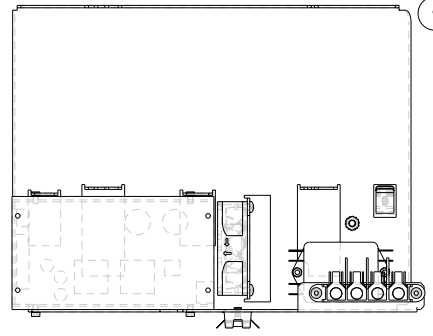
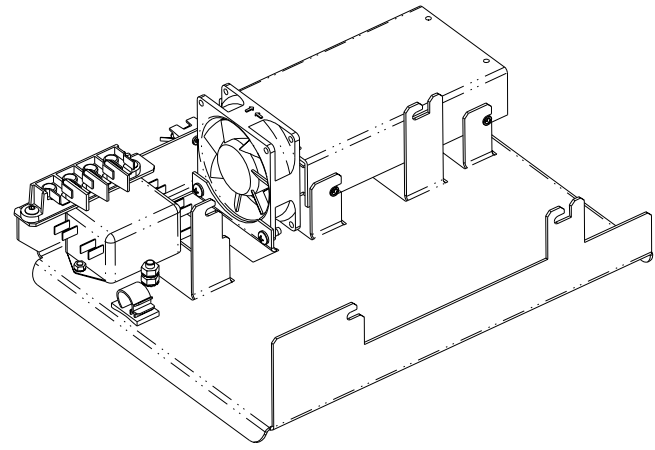
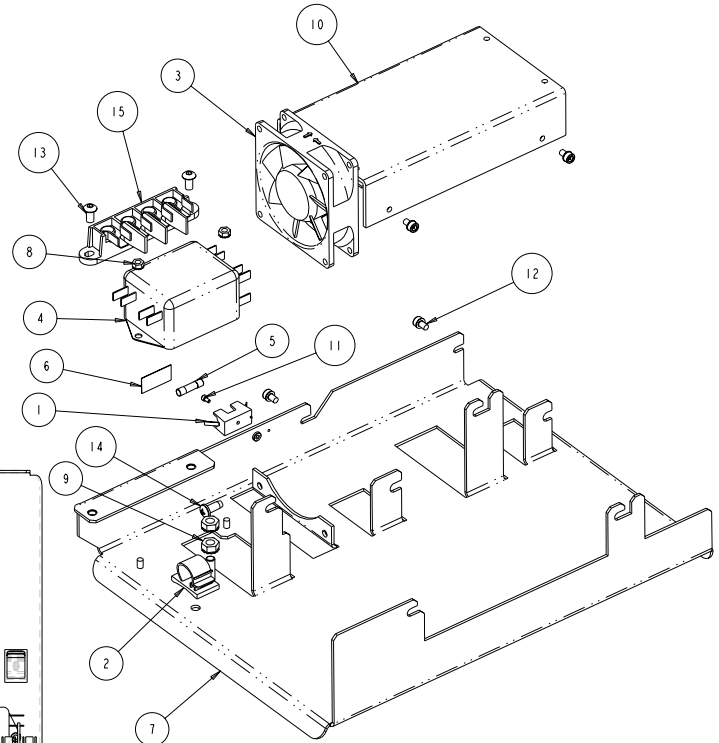


REV.	DESCRIPTION	DATE	ENG	ECO #	APPR
1	RELEASE FOR PROTOTYPE	03MAY04	KDB		
2	REDESIGN PWR SUPPLY MOUNT TO INCLUDE CABLE TRAY	20JUL04	LR		
3	TRAY NOW HAS GRILL; ADD 2 SCREWS	23JUL04	LR		
4	TERM BLOCK WAS 3 POLE, NOW 4 POLE	11AUG04	LR		
5	(2X) REPLACE M4X06 W/M4X04SS;;DELETE 1X CLIP	01OCT04	LR		
6	ADD ANOTHER NUT;;CHG SCREWS	04OCT04	LR		
7	WAS (2X) M4 X 06 SS, NOW: M4 X 05 BZ W/LK WASHER	07OCT04	LR		
8	ADDED ITEM 3 TO ASSEMBLY	11MAR05	SH		



SCALE 0.630

ITEM NO.	QTY.	FILENAME	PART NO.	REV.	DESCRIPTION
15	1	BLOCK_TERM3-TAB_4-POLE	90406151		TERMINAL BLOCK, 4 POS X 3 40 AMP CHAS MNT
14	2	SCREW10-14PPF500	90709062		SCREW, PHIL PAN #10 X 1/2 PLASTITE SZ
13	2	SCREWM5AB10BZP	91010510		SCREW, M5 BUTTON 10 BZ W/PATCH
12	4	SCREWM4AC06BZ	91000406		SCREW, M4 SOCKET 06 BZ SEMS
11	1	SCREWM2AC04BZX	91050204		SCREW, M2 SOCKETCAP 04 BZ
10	1	FS701	99070003		POWER SUPPLY, SWITCHING 40 V MOTOR W/PFC
9	2	NUTM6KEP	91201206		NUT, M6 KEPS
8	2	NUTM4KEP	91201204		NUT, M4 KEPS
7	1	DB108	99260457		MOUNT, POWER SUPPLY, DL2
6	1	LABEL_FUSE_WARNING	99310417		LABEL, FUSE WARNING DL2
5	1	FUSE5X20_5A-SLOW	90403012		FUSE, 5 AMP SLOW
4	1	LINE_FILTER_3AMP	90601055		FILTER, RFI 3A - 2X LOAD 2X LINE
3	1	CAT715	80270025		FAN ASSY, 12 V, 80MM SQ, X 25MM DLI
2	1	CLIP_50.PUSH_ON-NY	90701271		CLIP, WIRE .50 DIA, PUSH MOUNT
1	1	FUSE_HOLDERSX20	90412018		BLOCK, FUSE, SINGLE 5 X 20,

BILL OF MATERIALS

UNLESS OTHERWISE SPECIFIED:	RELEASE DATE:	CE:	2105 GRACY FARMS LANE AUSTIN, TEXAS 78758 (512) 836-2242 FAX (512) 832-4128 ***** http://www.highend.com	LIGHTWAVE RESEARCH
DIMENSIONAL TOLERANCES:	ENG:	OA:		
0 PLACE DECIMAL = ±0.38	ME:	DRW: K. BICKERS		
1 PLACE DECIMAL = ±0.25	MEG:			
2 PLACE DECIMALS = ±0.13	ANGLES = ±0.5°	DESCRIPTION:		
FOR PAINTED PARTS REFER TO ENG. SPEC. MANUAL WI-0592	MATERIAL:	TRAY ASM, POWER SUPPLY, DL2		
MIN. DRAFT	FINISH:			
MIN. RADI	INTERPRET DIMENSIONS PER	ASME Y14.5M-1994	PART NO.	DRAWING NO.
FLATNESS	THIRD ANGLE PROJECTION		INTERNAL	DBA019
THICKNESS	DIMENSIONS ARE IN MILLIMETERS		SI METRIC A1	REV. NA
VOLUME	DO NOT SCALE	SCALE: 0.500	SHEET: 1 OF 1	

**PROPRIETARY NOTICE:**  
 THIS DOCUMENT CONTAINS CONFIDENTIAL AND PROPRIETARY INFORMATION OF HIGH END SYSTEMS INC., (ALSO DBA LIGHTWAVE RESEARCH) AND IS GIVEN TO THE RECEIVER IN CONFIDENCE. THE RECEIVER ACCEPTS AND AGREES THAT, EXCEPT AS AUTHORIZED BY HIGH END SYSTEMS, THE RECEIVER WILL NOT PERMIT THE USE OF THE DOCUMENT OR ANY COPY THEREOF OR THE INFORMATION THEREIN, WILL NOT COPY OR PERMIT COPYING THE DOCUMENT WILL NOT DISCLOSE TO OTHERS EITHER THE DOCUMENT OR THE INFORMATION THEREIN, AND WILL UPON COMPLETION OF THE NEED TO RETAIN THE DOCUMENT, OR UPON DEMAND, RETURN THE DOCUMENT WITHOUT RETAINING ANY OF THE INFORMATION CONTAINED THEREIN IN ANY FORM WHATSOEVER.