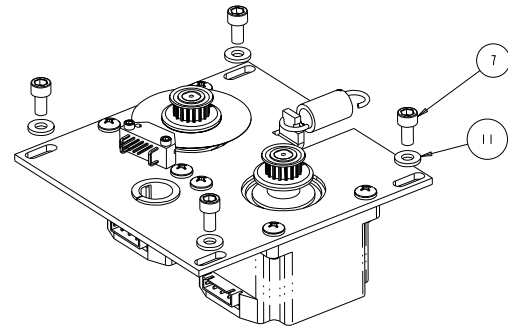
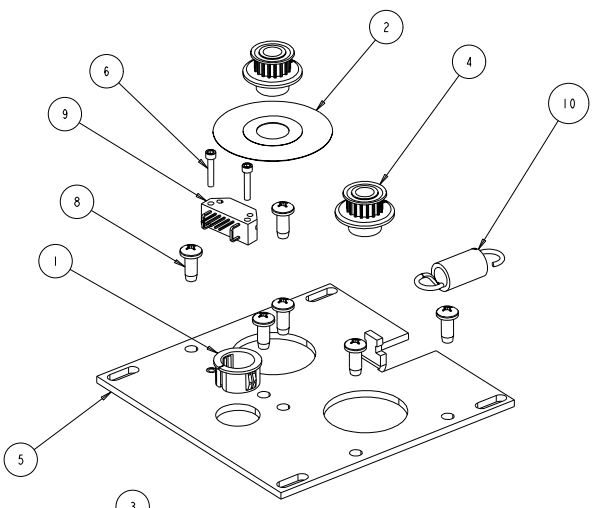
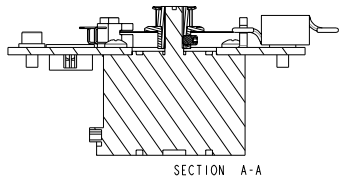
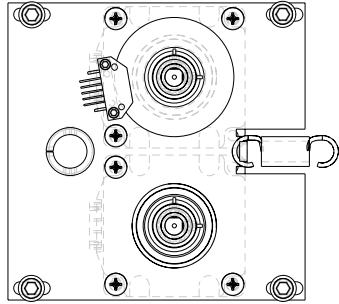


REV.	DESCRIPTION	DATE	ENG	ECO #	APPR
1	DRAWING CREATED	27JUL04	LR		
2	CORRECT LGT OF SCREWS::ADD(4X) MNTNG SCREWS	10OCT04	LR		
3	REDESIGN WITH REMOVAL OF BRG HSNG & SUBPLATE	20OCT04	LR		
4	REVERT BACK TO PREVIOUS DESIGN	22NOV04	DF		
5	CHANGED PINION TO 99430118	28JUN05	DF		



ITEM NO.	QTY.	FILENAME	PART NO.	REV	DESCRIPTION
11	4	WASHER10-204X440SS	90706012		WASHER, FLAT #10 SS
10	1	SPRINGS00_1250_LG	90701354		SPRING, EXTENSION, .500 X 1.25 LG
9	1	SENSOR_ENCODER	90306075		SENSOR, ENCODER, HEDS-9000U00
8	6	SCREW10-14PPF500	90709062		SCREW, PHIL PAN #10 X 1/2 PLASTITE SZ
7	4	SCREWM5AC10SSP	91100510		SCREW, M5 SOCKET 10 SS, W/PATCH
6	2	SCREWM2-5AC14SS	91102514		SCREW, M2.5 SOCKET 14 SS
5	1	DB154	99080251	B	PLATE, MOTOR ADJUST, PAN DL2
4	2	DB335	99430118		PINION, ASSY 17T 3MM HTD
3	2	MR060	99270035		MOTOR, STEP 3PH S60 22.5MM SHAFT JS
2	1	ENCODER_DISK	99180070		ENCODER, WHEEL 23.36 RADIUS, 2048 CPR
1	1	BUSHING_562_SPLIT	90719032		BUSHING, .56 OPEN/CLOSED NYLON BLACK

BILL OF MATERIALS

UNLESS OTHERWISE SPECIFIED	RELEASE DATE:	CE:	High End	2105 GRACY FARMS LANE	
DIMENSIONAL TOLERANCES:	ENG:	OA:		AUSTIN, TEXAS 78758	
0 PLACE DECIMAL = ±0.38	ME:			(512) 836-2242	
1 PLACE DECIMAL = ±0.25	MEG:	DRW: LARRY R		FAK (512) 832-4128	
2 PLACE DECIMALS = ±0.13	ANGLES = ±0.5°			***** http://www.highend.com	
FOR PAINTED PARTS REFER TO	DESCRIPTION:	ASSY, MOTOR W/SENSOR, TOP BOX DL2			
ENG. SPEC. MANUAL WI-0592	MATERIAL:	CHARTED			
MIN. DRAFT	FINISH:				
MIN. RADII	INTERPRET DIMENSIONS PER	SI	PART NO.	DRAWING NO.	REV.
FLATNESS	ASME Y14.5M-1994	METRIC	INTERNAL	DBA028	NA
THICKNESS	THIRD ANGLE PROJECTION	A1	DO NOT SCALE	SCALE: 1:1000	SHEET: 1 OF 1
VOLUME	DIMENSIONS ARE IN MILLIMETERS				

PROPRIETARY NOTICE:
 THIS DOCUMENT CONTAINS CONFIDENTIAL AND PROPRIETARY INFORMATION OF HIGH END SYSTEMS INC., (ALSO DBA LIGHTWAVE RESEARCH) AND IS GIVEN TO THE RECEIVER IN CONFIDENCE. THE RECEIVER ACCEPTS AND AGREES THAT, EXCEPT AS AUTHORIZED BY HIGH END SYSTEMS, THE RECEIVER WILL NOT PERMIT THE USE OF THE DOCUMENT OR ANY COPY THEREOF OR THE INFORMATION THEREIN, WILL NOT COPY OR PERMIT COPYING THE DOCUMENT WILL NOT DISCLOSE TO OTHERS EITHER THE DOCUMENT OR THE INFORMATION THEREIN, AND WILL UPON COMPLETION OF THE NEED TO RETAIN THE DOCUMENT, OR UPON DEMAND, RETURN THE DOCUMENT WITHOUT RETAINING ANY OF THE INFORMATION CONTAINED THEREIN IN ANY FORM WHATSOEVER.