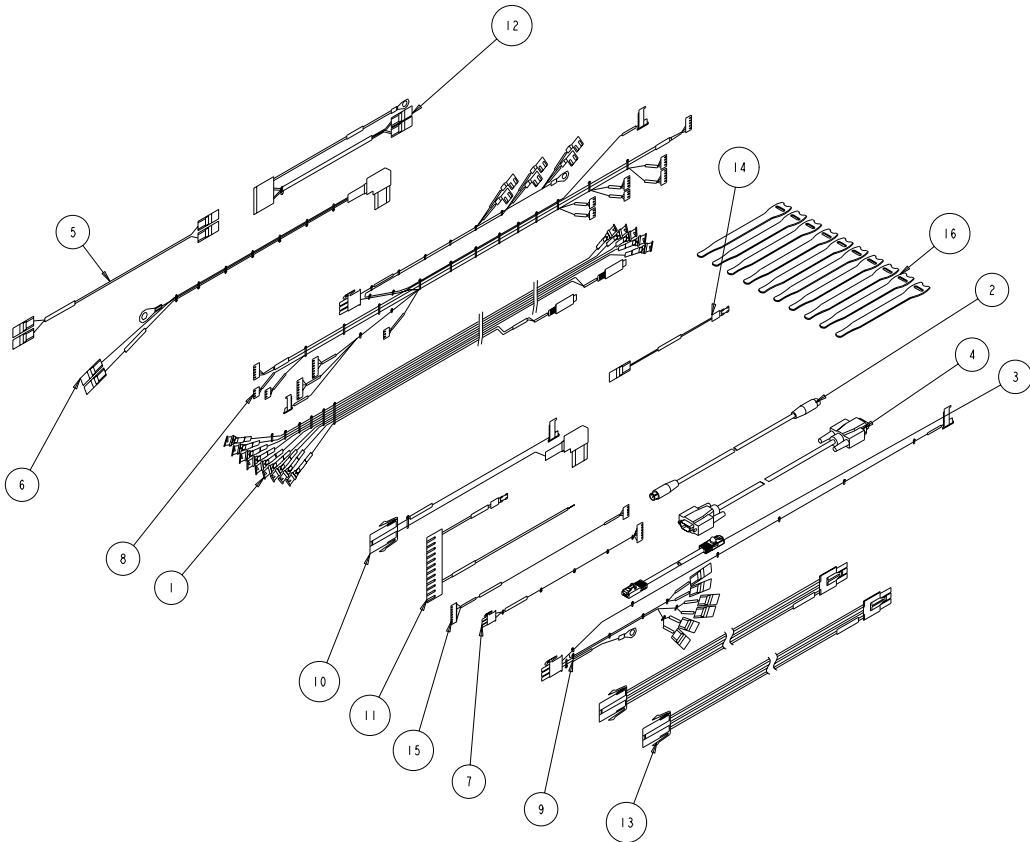


DBA008

REV.	DESCRIPTION	DATE	ENG	ECO #	APPR



ITEM NO.	QTY.	FILENAME	PART NO.	REV	DESCRIPTION
16	10	TIE-WRAP_6_VELCRO	99330160	.	TIE WRAP, 6" VELCRO
15	1	DB704	90409189	.	HARNESS, TILT DL2
14	1	DB712	90409195	.	HARNESS, POWER JUMPER, DL2
13	2	CAT709	90409154	.	HARNESS, PAN/TILT TUBE, DL1
12	1	DB714	90409203	.	HARNESS, MPS INPUT DL2
11	1	DB708	90409191	.	HARNESS, MOTOR SUPPLY OUTPUT DL2
10	1	DB707	90409190	.	HARNESS, MODULE LINK, HEAD DL2
9	1	DB706	90409201	.	HARNESS, MOD LINK POWER, DL2
8	1	DB701	90409186	.	HARNESS, MAIN TOP BOX DL2
7	1	DB710	90409193	.	HARNESS, LED INDICATOR, DL2
6	1	DB711	90409194	.	HARNESS, COMPUTER POWER, DL2
5	1	CAT701	90409150	.	HARNESS, AC INPUT DL1
4	1	CABLE_6FT-MALE2MALE	90409198	.	CABLE, VGA MALE TO MALE 6' DL2
3	1	CABLE_5FT_RJ45	56070005	.	CABLE, USB 3' USBA/USBB, CATALYST
2	1	CABLE_6FT_SVID	90409197	.	CABLE, S-VIDEO 6' DL2
1	1	DB703	90409188	.	CABLE, ASSY, VIDEO DL2

UNLESS OTHERWISE SPECIFIED		RELEASE DATE:	CE:	2105 GRACY FARMS LANE AUSTIN, TEXAS 78758 (512) 836-2242 FAX (512) 832-4128 ***** http://www.highend.com	
DIMENSIONAL TOLERANCES:		ENG:	OA:		
0 PLACE DECIMAL = ±0.38		ME:			
1 PLACE DECIMAL = ±0.25		MEG:	DRW: LARRY R		
2 PLACE DECIMALS = ±0.13		DESCRIPTION:		FINISH:	
ANGLES = ±0.5°		ASSY, MISC COMPONENTS, DL2			
FOR PAINTED PARTS REFER TO		MATERIAL:			
ENG. SPEC. MANUAL WI-0592		CHARTED			
MIN. DRAFT		INTERPRET DIMENSIONS PER		PART NO.	DRAWING NO.
MIN. RADII		ASME Y14.5M-1994		INTERNAL	DBA008
FLATNESS		THIRD ANGLE PROJECTION		DO NOT SCALE	SCALE: 0.350
THICKNESS		DIMENSIONS ARE IN MILLIMETERS		SHEET: 1 OF 1	
VOLUME					

**PROPRIETARY NOTICE:**  
 THIS DOCUMENT CONTAINS CONFIDENTIAL AND PROPRIETARY INFORMATION OF HIGH END SYSTEMS INC., (ALSO DBA LIGHTWAVE RESEARCH) AND IS GIVEN TO THE RECEIVER IN CONFIDENCE. THE RECEIVER ACCEPTS AND AGREES THAT, EXCEPT AS AUTHORIZED BY HIGH END SYSTEMS, THE RECEIVER WILL NOT PERMIT THE USE OF THE DOCUMENT OR ANY COPY THEREOF ON THE INFORMATION THEREIN. WILL NOT COPY OR PERMIT COPYING THE DOCUMENT WILL NOT DISCLOSE TO OTHERS EITHER THE DOCUMENT OR THE INFORMATION THEREIN, AND WILL UPON COMPLETION OF THE NEED TO RETAIN THE DOCUMENT, OR UPON DEMAND, RETURN THE DOCUMENT WITHOUT RETAINING ANY OF THE INFORMATION CONTAINED THEREIN IN ANY FORM WHATSOEVER.