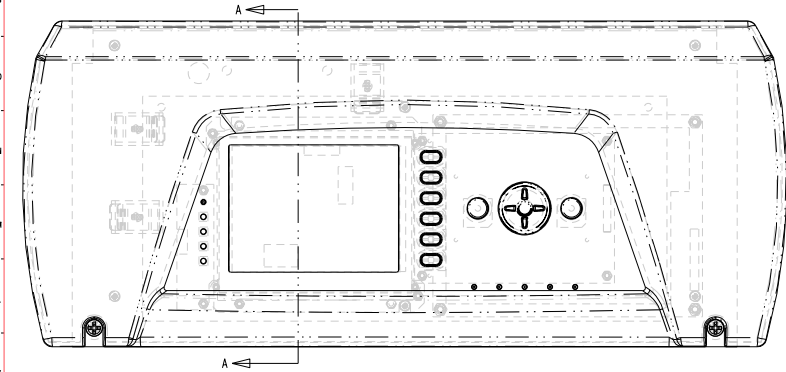
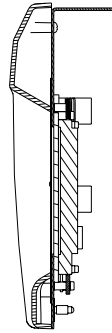


DBA006

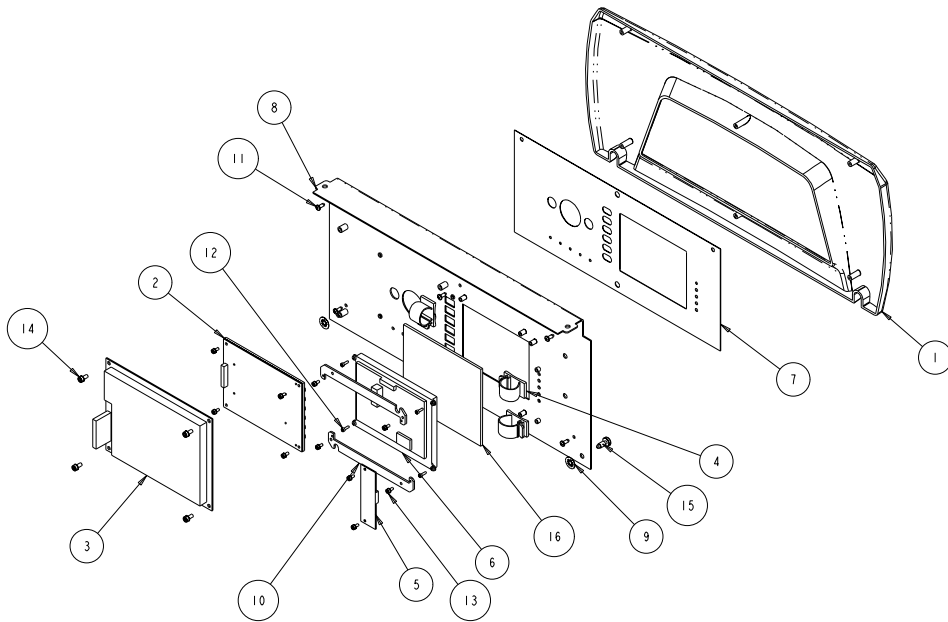


SCALE 0.630



SECTION A-A

REV.	DESCRIPTION	DATE	ENG	ECO #	APPR
1	PRELIMINARY	20APR04	KDB		
4	ADD LCD, KEYPAD ASSY, REMOVE DBA012.ASM	16JUL04	LR		
5	CHANGED LCD, ADDED DB141, ADDED DISPLAY FROM LCD	21JULY21	MAS		
6	ADDED ANTENNA AND CLIP HOLES	05AUG04	SH		
7	HARDWARE FIXES:;(2X) M3.5 X 6 NOW M3 X 6	06OCT04	LR		
8	ADD ITEM 14, CHANGED ITEM 12 QTY. FROM 1 TO 2	26OCT04	DF		
9	REMOVED ANTENNA AND HOLD DOWN CLIPS	27APR05	DF		



ITEM NO.	QTY.	FILENAME	PART NO.	REV	DESCRIPTION
16	1	DB400	80530076	-	WINDOW, LCD APERTURE, DL2
15	2	SCREW_230_611LG_CAPTIVE	90712007	.	SCREW,CAPTIVE PHIL .23 OD X .611 LG CR
14	4	SCREW_M4C08BZ	91000408	.	SCREW, M4 SOCKET 08 BZ SEMS
13	10	SCREW_M3C06BZ	91000306	.	SCREW, M3 SOCKET CAP 06 BZ SEMS
12	4	SCREW_M2_5C08SS	91102508	.	SCREW, M2.5 SOCKET 8 SS
11	6	SCREW_6-19PPB0380BZ	90709117	.	SCREW, 6-19 PHIL PAN PLASTITE 3/8 BZ
10	2	DB141	99260462	-	RETAINER,LCD DISPLAY DL2
9	2	RETAINER_CAPTIVE_SS	90701362	.	RETAINER,CAPTIVE,SS,MED
8	1	DB109	80071855	-	PANEL, FRONT DL2
7	1	DB450	99310415	-	LABEL, FRONT PANEL, DL2
6	1	DB436	90306073	-	DISPLAY, LCD, 5.6" TFT, DL2
5	1	DB436_01	90306073	-	DISPLAY, LCD, 5.6" TFT--SWITCH BRD
4	3	CLIP_75_PUSH_ON_NY	90701358	.	CLIP, WIRE .75 DIA, PUSH MOUNT
3	1	DB425	80010186	-	BOARD, DL2V4 LOGIC BOX ASSY
2	1	DB401	80010190	-	BOARD, ASSY KEYPAD, DL2
1	1	DB200	99350079	-	BEZEL, TOP BOX, DL2

ITEM NO. QTY. FILENAME PART NO. REV DESCRIPTION

BILL OF MATERIALS

UNLESS OTHERWISE SPECIFIED:	RELEASE DATE:	CE:	2105 GRACY FARMS LANE AUSTIN, TEXAS 78758 (512) 836-2242 FAX (512) 832-4128 ***** http://www.highend.com	
DIMENSIONAL TOLERANCES:	ENG:	OA:		
0 PLACE DECIMAL = ±0.38	ME:			
1 PLACE DECIMAL = ±0.25	MEG:	DRW: K. BICKERS		
2 PLACE DECIMALS = ±0.13				
ANGLES = ±0.5°				
FOR PAINTED PARTS REFER TO ENG. SPEC. MANUAL WI-0592	DESCRIPTION:	PANEL ASSY, COMPLETE, CONTROL, DL2		
MIN. DRAFT	MATERIAL:	CHARTED		
MIN. RADII	FINISH:	NA		
FLATNESS	INTERPRET DIMENSIONS PER	ASME Y14.5M-1994	PART NO.	DRAWING NO.
THICKNESS	THIRD ANGLE PROJECTION	SI METRIC A1	INTERNAL	DBA006
VOLUME	DIMENSIONS ARE IN MILLIMETERS	DO NOT SCALE	SCALE: 0.350	SHEET: 1 OF 1

PROPRIETARY NOTICE:
 THIS DOCUMENT CONTAINS CONFIDENTIAL AND PROPRIETARY INFORMATION OF HIGH END SYSTEMS INC., (ALSO DBA LIGHTWAVE RESEARCH) AND IS GIVEN TO THE RECEIVER IN CONFIDENCE. THE RECEIVER ACCEPTS AND AGREES THAT, EXCEPT AS AUTHORIZED BY HIGH END SYSTEMS, THE RECEIVER WILL NOT PERMIT THE USE OF THE DOCUMENT OR ANY COPY THEREOF OR THE INFORMATION THEREIN, WILL NOT COPY OR PERMIT COPYING THE DOCUMENT OR THE INFORMATION THEREIN, AND WILL UPON COMPLETION OF THE NEED TO RETAIN THE DOCUMENT, OR UPON DEMAND, RETURN THE DOCUMENT WITHOUT RETAINING ANY OF THE INFORMATION CONTAINED THEREIN IN ANY FORM WHATSOEVER.