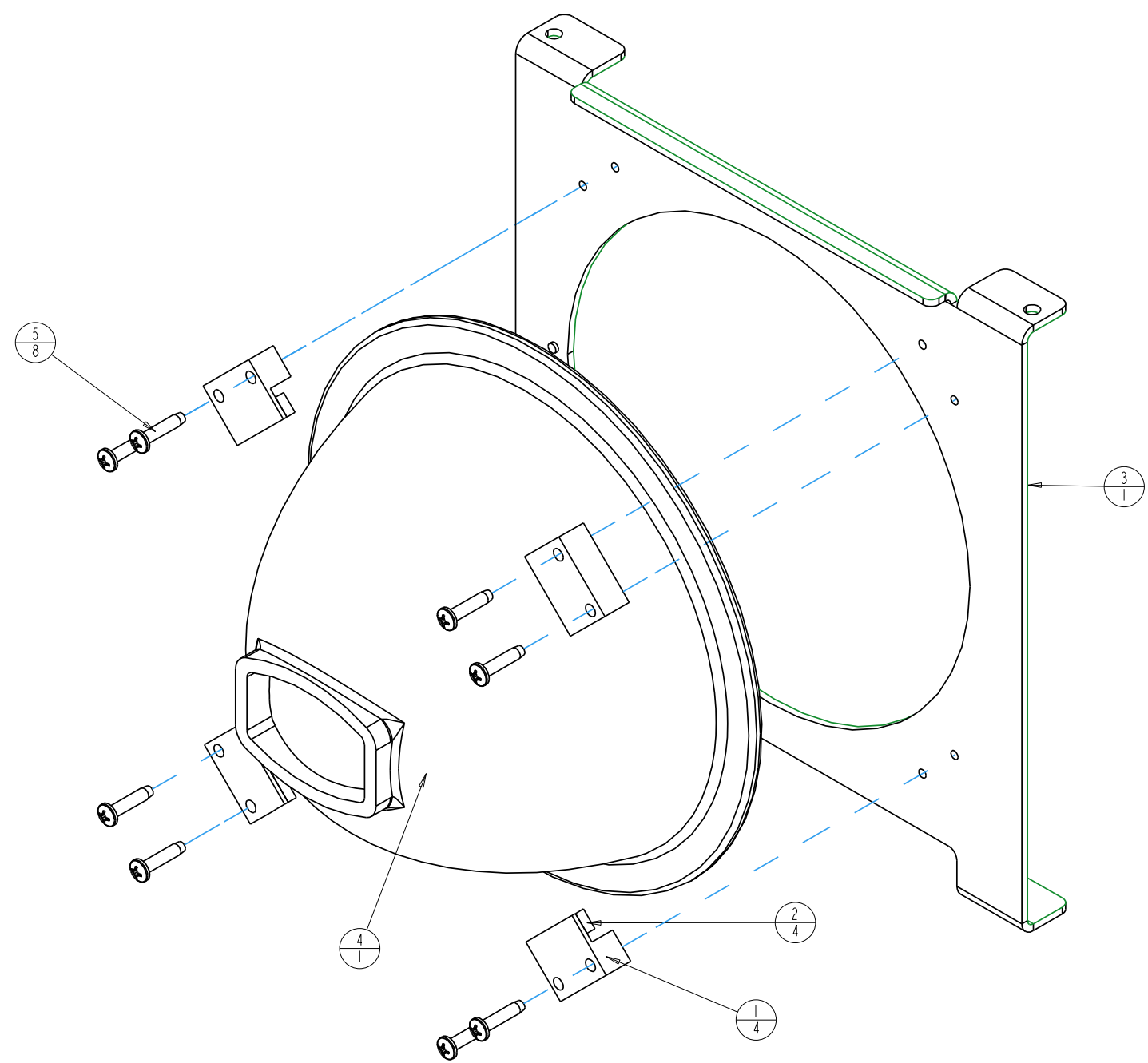


CLA029

REV.	DESCRIPTION	DATE	ENG	ECO #	APPR
1	CREATE DRAWING	22JUN09	PP		
2	REV CHANGE TO ITEM 3	30NOV09	PP		



5	8	SCREW6-32PP625T	90709017	.	SCREW,6-32 PHIL PAN 5/8 TYPE 23 SZ
4	1	TW401	99130022	-	REFLECTOR, FACETED
3	1	CL130	80070566	B	PLT, REFLECTOR MNT
2	4	TW509	99330171	I	FOAM, SILICONE STRIP 1/8 X 1/4
1	4	TW347	99260502	A	CLAMP, MOUNTING, REFLECTOR SG
ITEM NO.	QTY.	FILENAME	PART NO.	REV	DESCRIPTION

BILL OF MATERIALS

UNLESS OTHERWISE SPECIFIED	RELEASE DATE:	CE:	 2105 GRACY FARMS LANE AUSTIN, TEXAS 78758 (512) 836-2242 FAX (512) 832-4128 http://www.highend.com	 LIGHTWAVE RESEARCH
DIMENSIONAL TOLERANCES:	ENG:	QA:		
0 PLACE DECIMAL = ±0.38	ME:	DRW:		
1 PLACE DECIMAL = ±0.25	MFG:		DESCRIPTION: BULKHEAD, REFLECTOR	
2 PLACE DECIMALS = ±0.13			MATERIAL: CHARTED	
ANGLES = ±0.5°			FINISH: NA	
FOR PAINTED PARTS REFER TO ENG. SPEC. MANUAL WI-0592			PART NO. INTERNAL	
ALL COMPONENTS, MATERIALS AND FINISHES TO BE RoHS COMPLIANT			DRAWING NO. CLA029	
MIN. DRAFT			REV. 2	
MIN. RADI			DO NOT SCALE	
FLATNESS			SCALE: 0.500	
THICKNESS			SHEET: 1 OF 1	
VOLUME				

PROPRIETARY NOTICE:
 THIS DOCUMENT CONTAINS CONFIDENTIAL AND PROPRIETARY INFORMATION OF HIGH END SYSTEMS INC., (ALSO DBA LIGHTWAVE RESEARCH) AND IS GIVEN TO THE RECEIVER IN CONFIDENCE. THE RECEIVER ACCEPTS AND AGREES THAT, EXCEPT AS AUTHORIZED BY HIGH END SYSTEMS, THE RECEIVER WILL NOT PERMIT THE USE OF THE DOCUMENT OR ANY COPY THEREOF OR THE INFORMATION THEREIN, WILL NOT COPY OR PERMIT COPYING THE DOCUMENT WILL NOT DISCLOSE TO OTHERS EITHER THE DOCUMENT OR THE INFORMATION THEREIN, AND WILL UPON COMPLETION OF THE NEED TO RETAIN THE DOCUMENT, OR UPON DEMAND, RETURN THE DOCUMENT WITHOUT RETAINING ANY OF THE INFORMATION CONTAINED THEREIN IN ANY FORM WHATSOEVER.