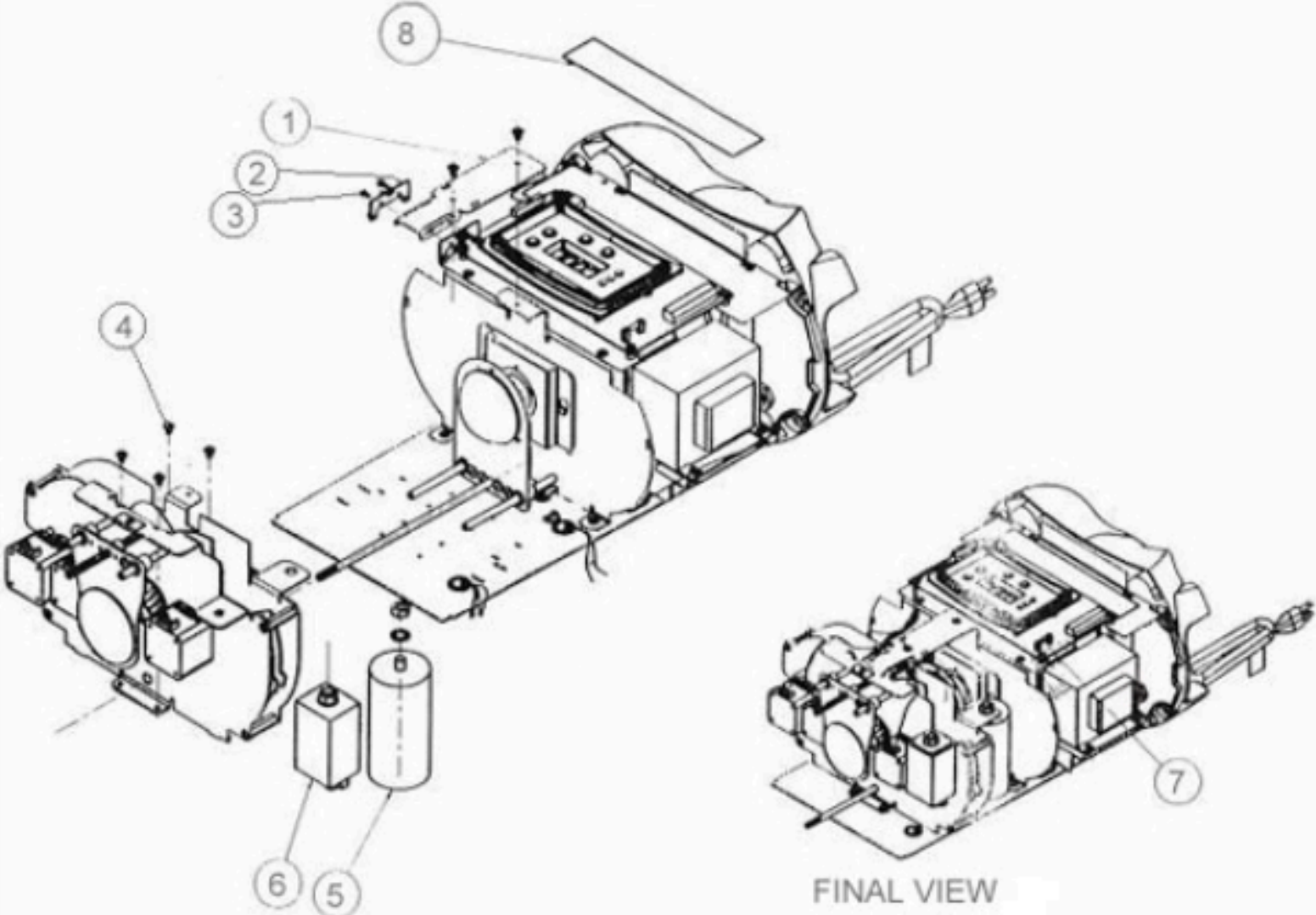


# Color Pro™ Support

## Ignitor & Capacitor



- 1. 99080085 Plate, Sensor
- 2. 80040021 Board, Sensor Miniature Assy.
- 3. 90709129 Screw, Phil Pan #4 x 1/4
- 4. 90709142 Screw, Phil Pan #8 x 3/8 With Star Washer
- 5. 80220005 Power Factor Capacitor
- 6. 80250003 Ignitor
- 7. 90409058 Wire Harness CPHX
- 8. 99310332 Label, Voltage Select