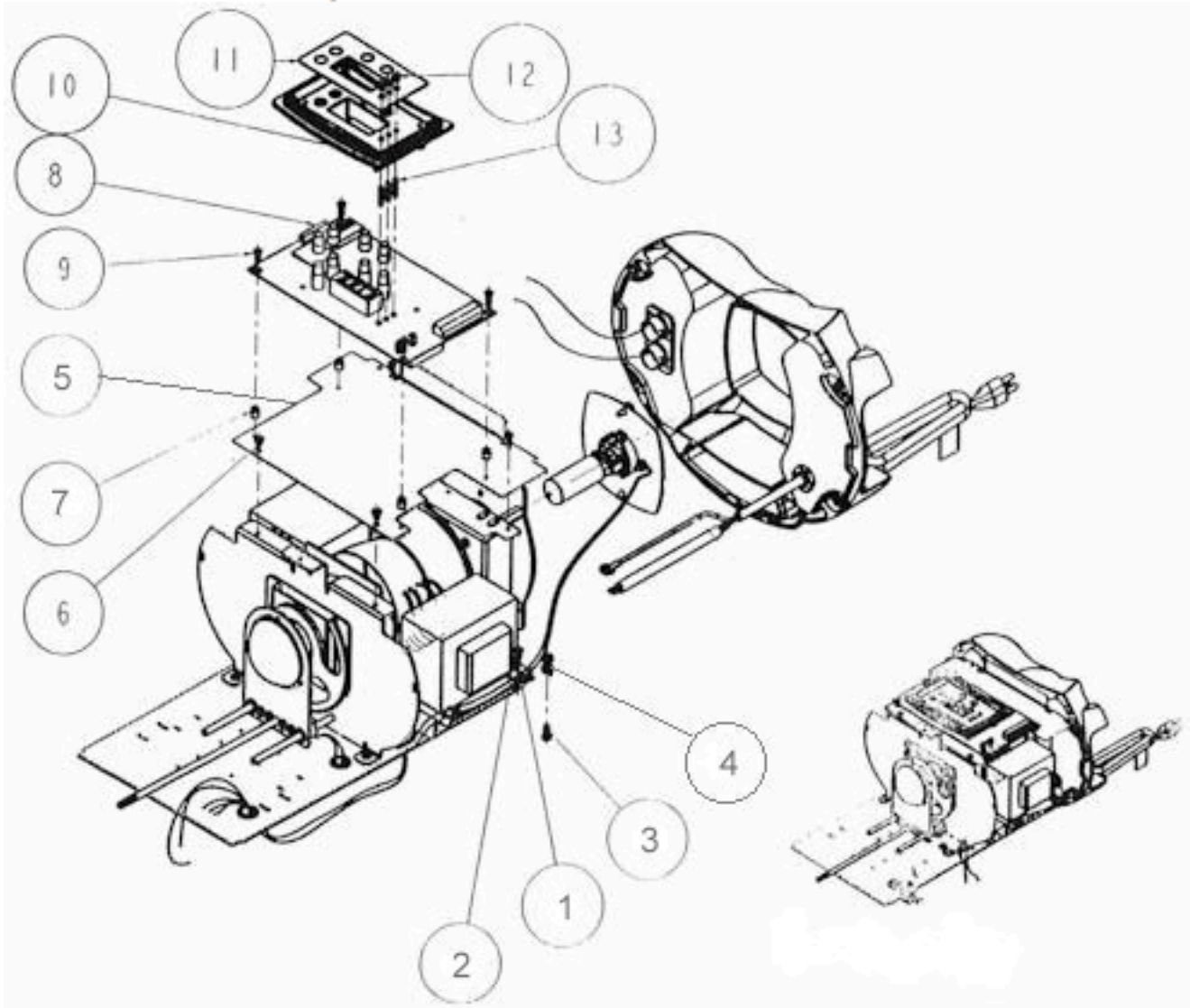


# Color Pro™ Support

## Circuit Board & Lamp



- |     |          |   |
|-----|----------|---|
| 1.  | 90110023 | Cable Clamp, 3/16" Nylon                  |
| 2.  | 90709142 | Screw, Phil Pan #8 x 3/8 With Star Washer |
| 3.  | 90709090 | Screw, Phil Pan 8 - 32 x 1/2              |
| 4.  | 90703023 | Keps Nut, 8 - 32                          |
| 5.  | 99080086 | Plate, Circuit Board Mount                |
| 6.  | 90709142 | Screw, Phil Pan #8 x 3/8 With Star Washer |
| 7.  | 90702027 | Spacer                                    |
| 8.  | 80010107 | Board, Logic Assy.                        |
| 9.  | 90709096 | Screw, 6 - 32x .50 Phil Pan               |
| 10. | 90410108 | Display Bezel                             |
| 11. | 99310329 | Label, Display Bezel                      |
| 12. | 90410100 | Mount, Lens 3mm                           |
| 13. | 90410110 | Litepipe, LSV Series                      |