

REVISION HISTORY

SCH REV	PCB REV	ECO NO.	DATE	COMMENT
-- 1.0	-- 1.0	-	9/10/99	PRODUCTION
1.1	1.1		7/11/00	SEE ECN

NOTES :

UNLESS OTHERWISE SPECIFIED :

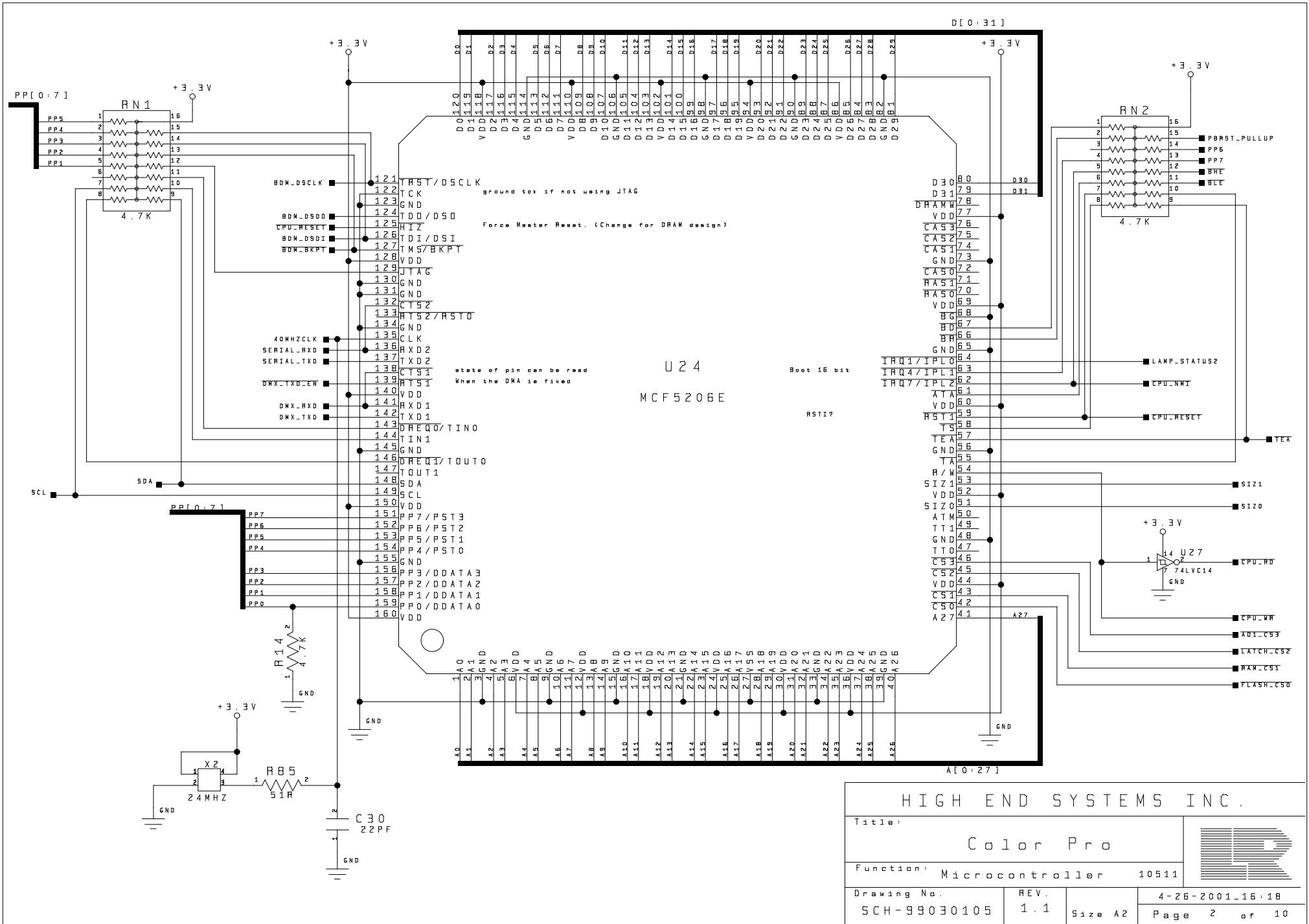
1. ALL RESISTOR VALUES ARE IN OHMS
2. ALL RESISTORS ARE 1/8 WATT 5% OR BETTER SMT 1206
3. CAPACITOR VALUES ARE IN PICO FARADS
4. ALL NON POLARIZED CAPACITORS ARE 50V OR BETTER  
VALUES BELOW 470pF ARE NPO/COG TYPE 5%  
VALUES 470pF TO 1000pF ARE X7R 10%  
VALUES ABOVE 1000pF ARE Z5U +/- 20 %
5. ALL POLARIZED CAPACITORS ARE 20% OR BETTER

Copyright (c) 1994-2001 High End Systems, Inc. All rights reserved worldwide.

Color Pro, Lightwave Research, the Lightwave Research logo, High End Systems and the High End Systems logo are registered trademarks of High End Systems, Inc. Trademarks and trade names of others may be used in this document to refer to either such other entities or to their products. High End Systems Inc. disclaims any proprietary interest or connection to such marks or entities.

HIGH END SYSTEMS INC.			
Title:		Color Pro	
Function:		10511	
Drawing No.	REV.	Designed:	
SCH-99030105	1.1	SCOTT INGHAM	
Drawn:		Approved:	
MYERS			
4-26-2001_16:18	Size A2	Page 1	OF 10

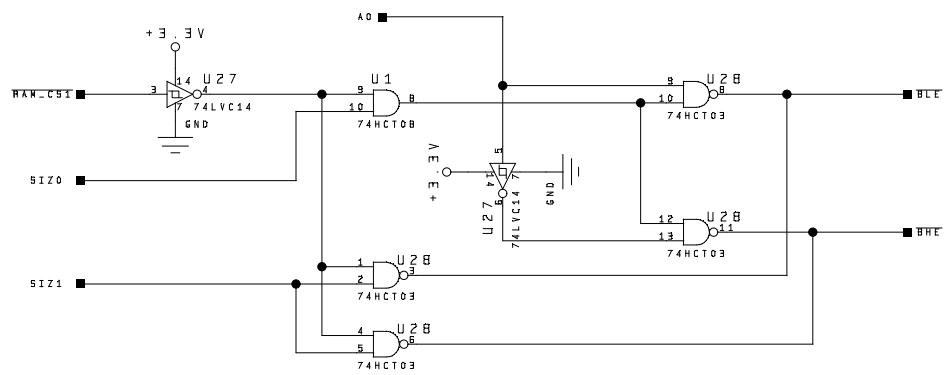
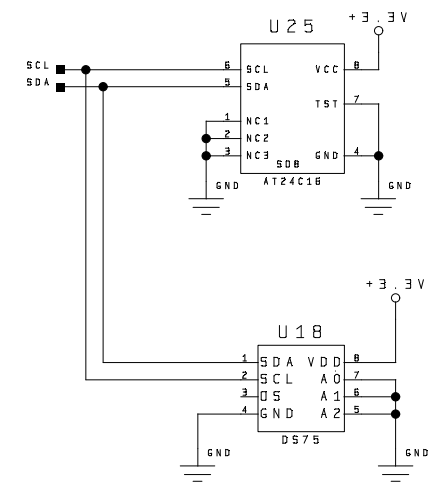
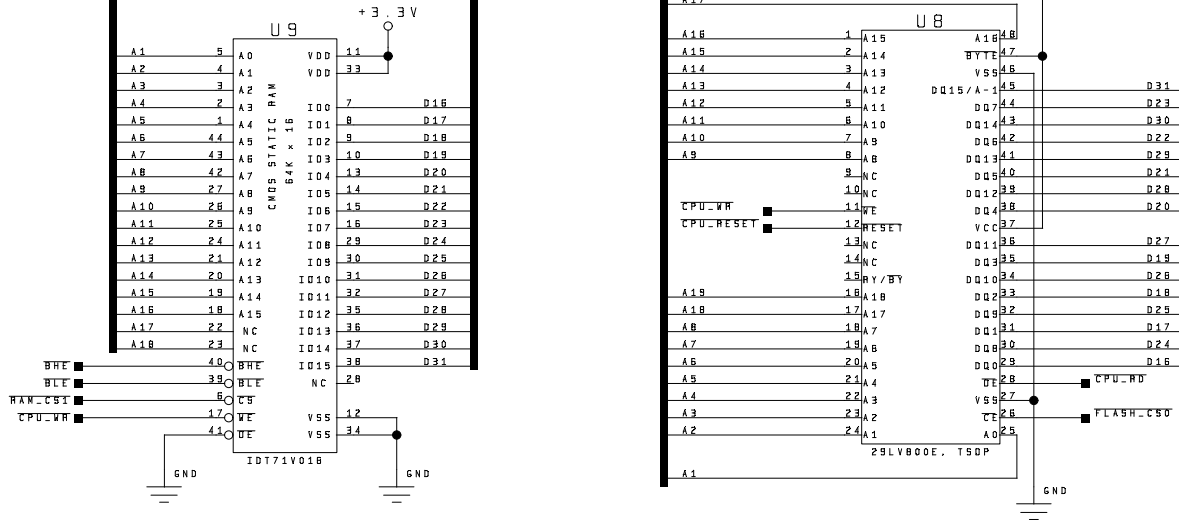




HIGH END SYSTEMS INC.			
Title:		Color Pro	
Function:		Microcontroller	10511
Drawing No.	REV.	4-26-2001_16:18	
SCH-99030105	1.1	Size A2	Page 2 of 10

D[0:31]

A[0:31]



NOTES:  
 U8 IS LAYED OUT FOR 8 MEG PART. 29LV400B MAY BE USED

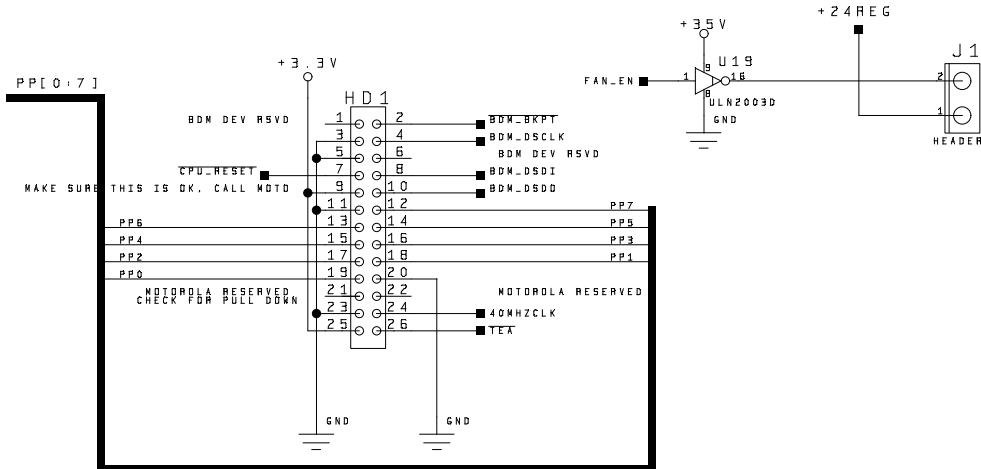
HIGH END SYSTEMS INC.			
Title:		Color Pro	
Function:		MEMORY	10511
Drawing No.	REV.	4-26-2001_16:18	
SCH-99030105	1.1	Size A2	Page 3 of 10

THE FAN AND RELAY SHOULD BE ON DIFFERENT CHIPS

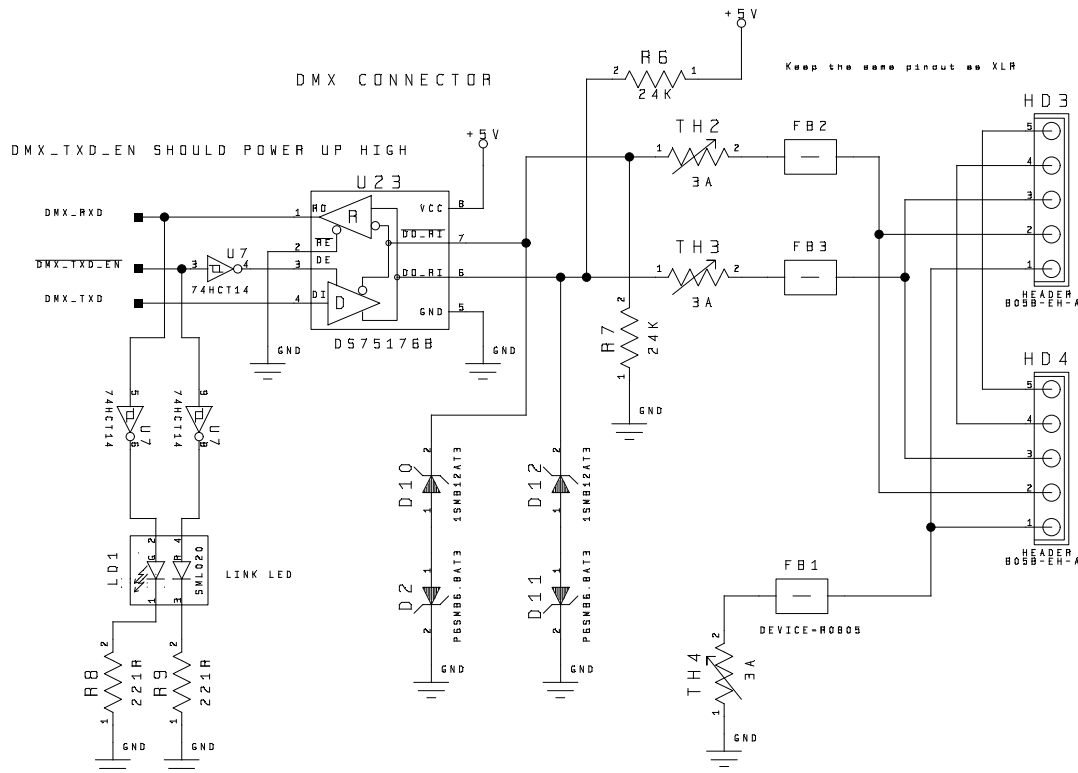
THE DIODE CATHOD (PIN 9) SHOULD BE AT 24V

BDM CONNECTOR

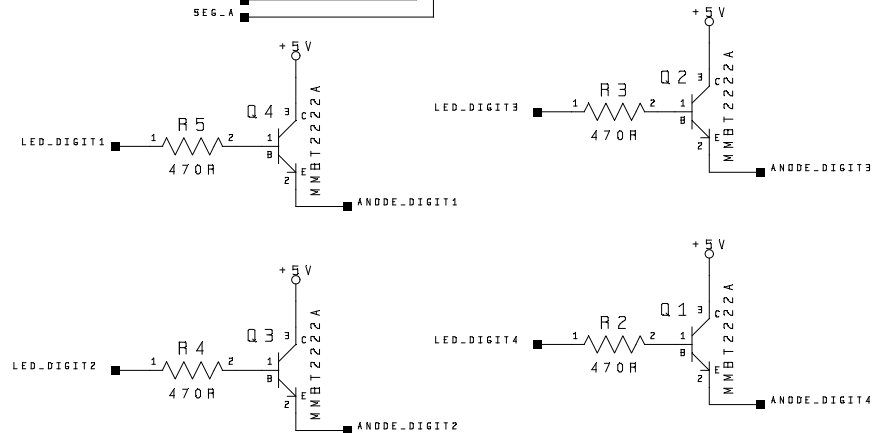
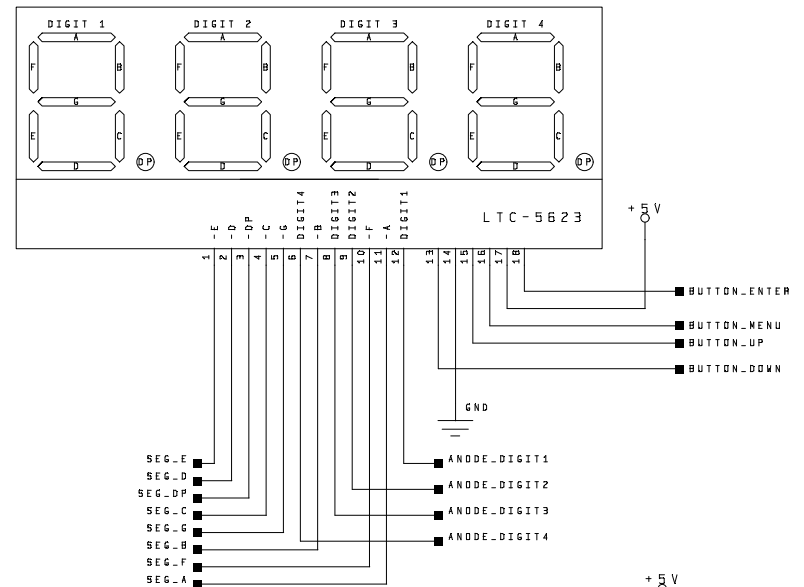
FAN CIRCUIT



DMX CONNECTOR



DSP1



HIGH END SYSTEMS INC.

Title:

Color Pro



Function: CONNECTORS

10511

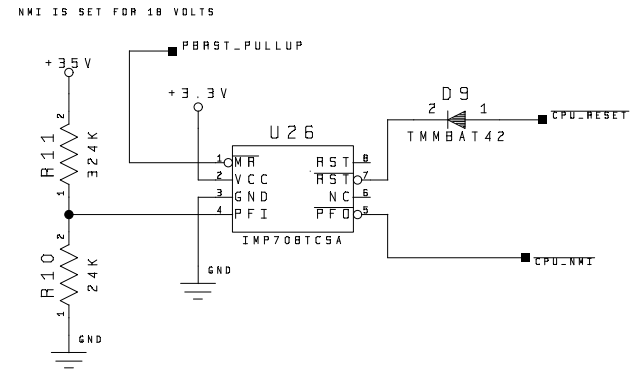
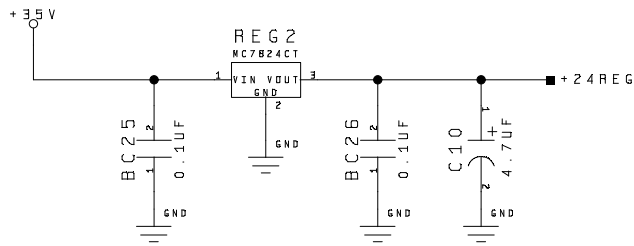
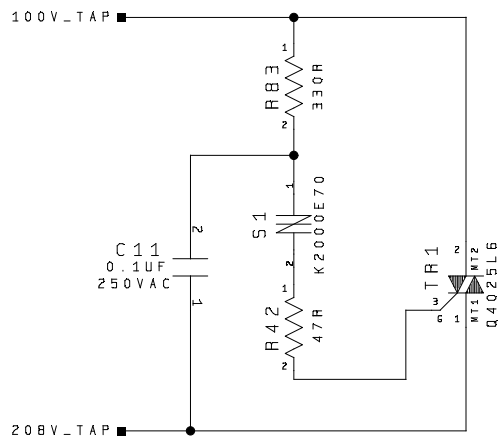
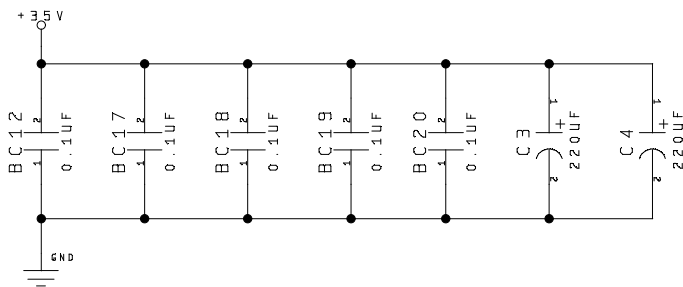
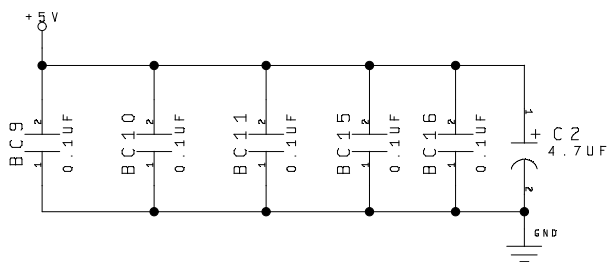
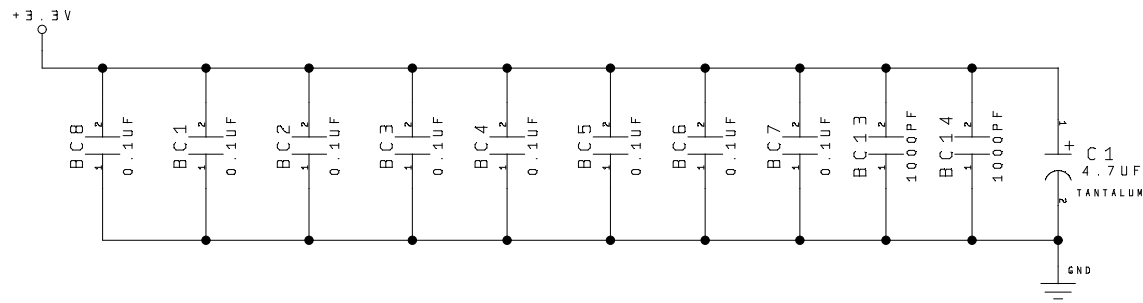
Drawing No. SCH-99030105

REV. 1.1

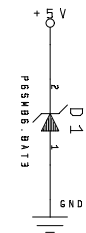
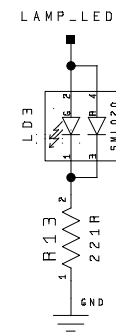
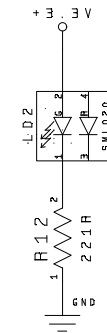
Size A2

4-26-2001\_16:18

Page 4 of 10



POWER LED



LOCATE NEXT TO SENSOR CONNECTOR

HIGH END SYSTEMS INC.

Title:

Color Pro

Function: POWER SUPPLY

10511

Drawing No. SCH-99030105

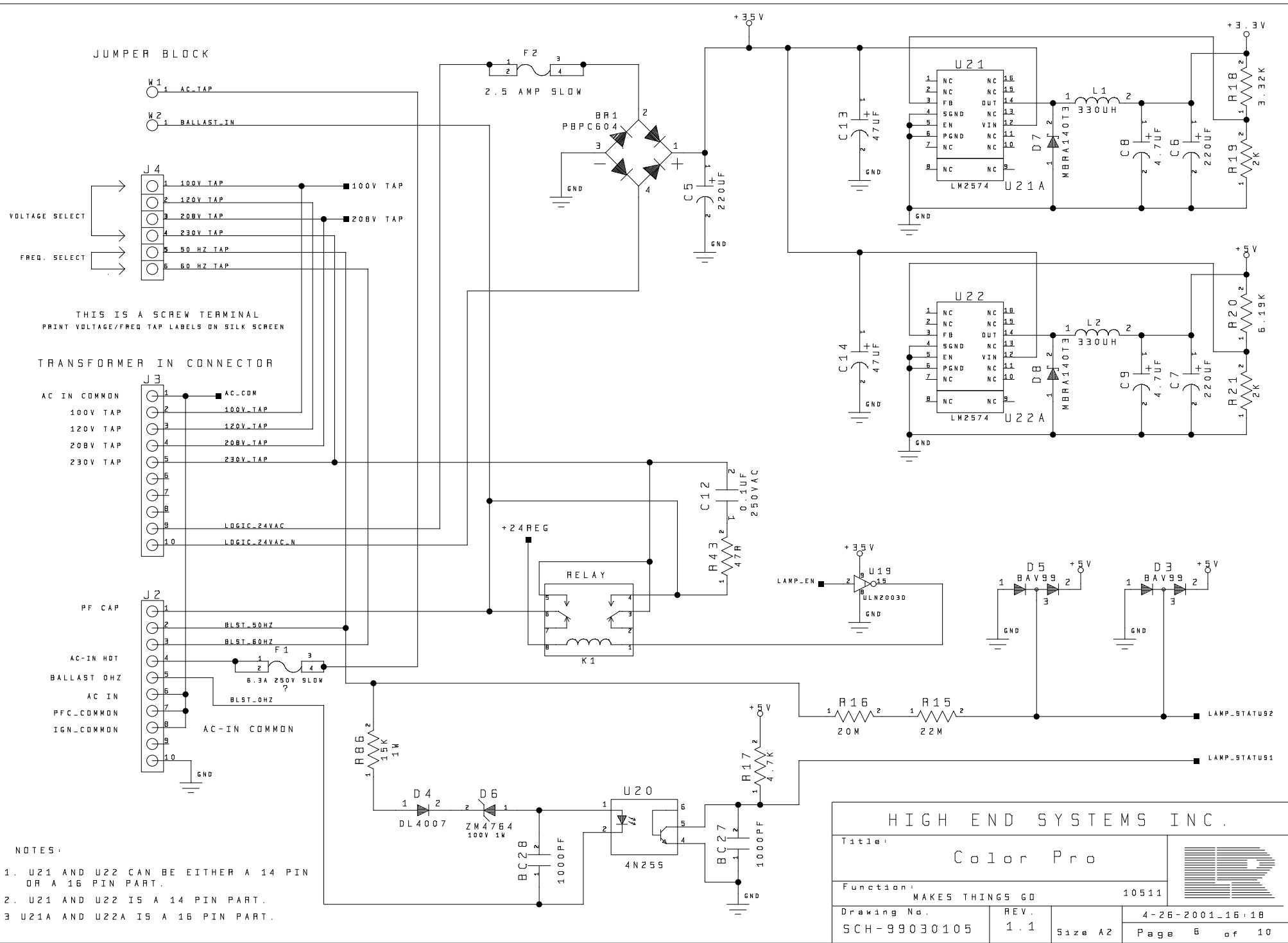
REV. 1.1

Size A2

4-26-2001\_16:18

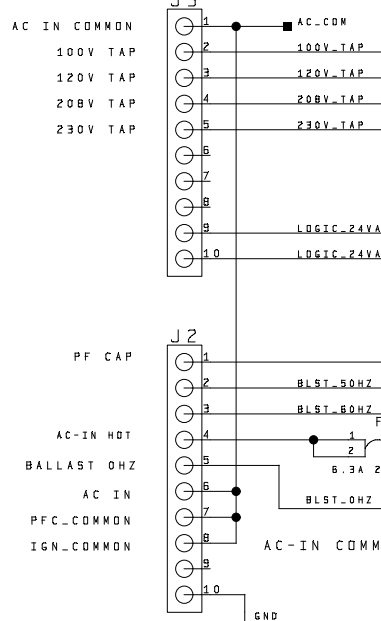
Page 5 of X





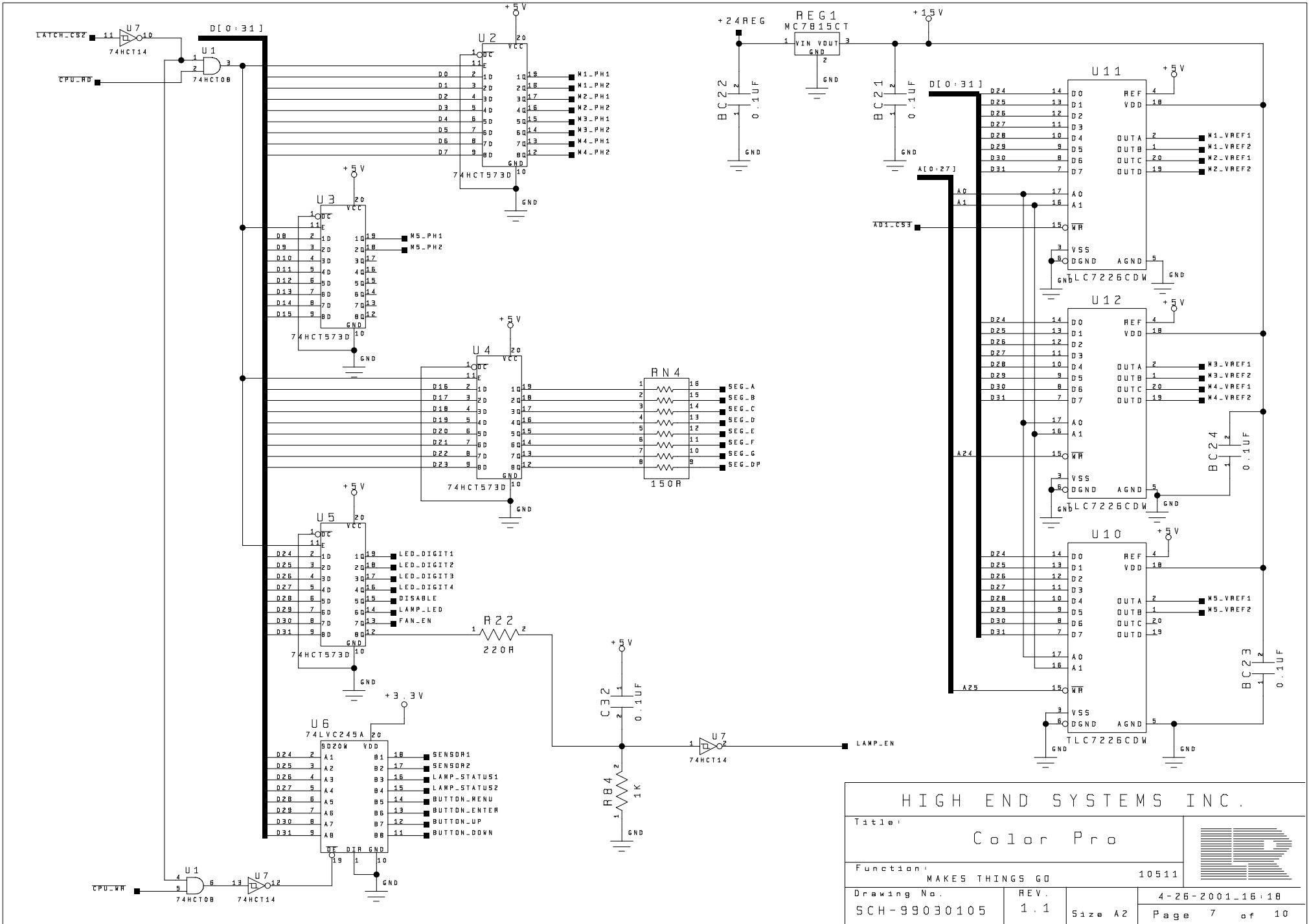
THIS IS A SCREW TERMINAL  
PRINT VOLTAGE/FREQ TAP LABELS ON SILK SCREEN

TRANSFORMER IN CONNECTOR

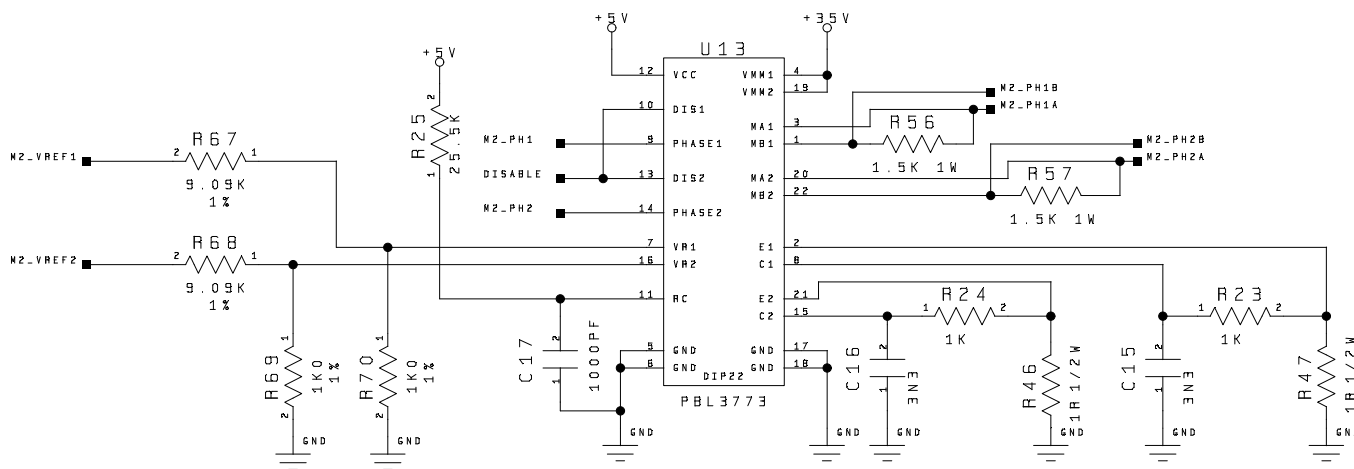
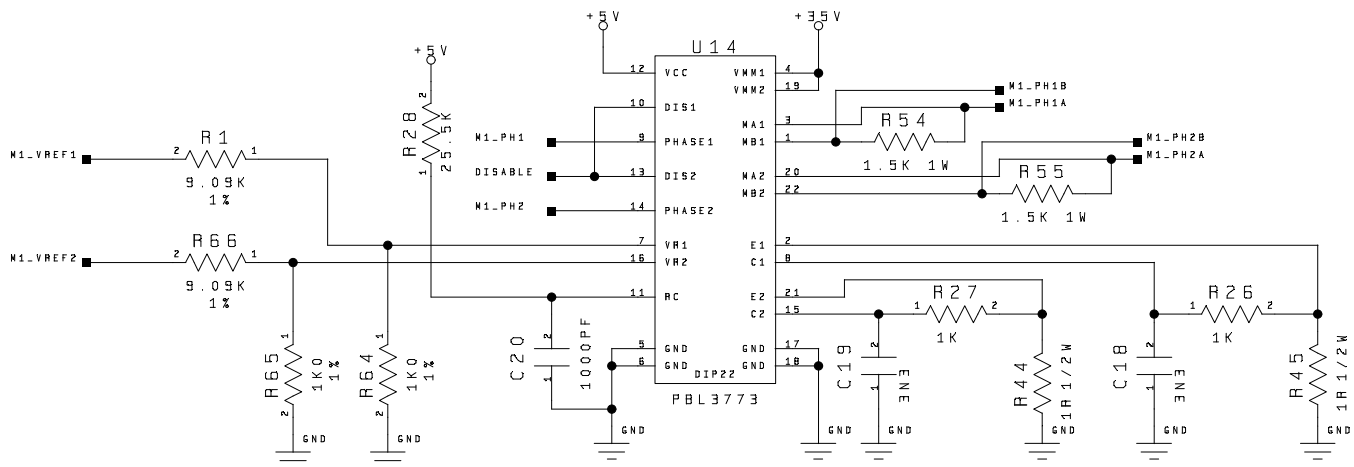


- NOTES:
1. U21 AND U22 CAN BE EITHER A 14 PIN OR A 16 PIN PART.
  2. U21 AND U22 IS A 14 PIN PART.
  3. U21A AND U22A IS A 16 PIN PART.

HIGH END SYSTEMS INC.		
Title:		Color Pro
Function:		MAKES THINGS GO 10511
Drawing No.	REV.	4-26-2001_16.1B
SCH-99030105	1.1	Page 6 of 10
Size A2		



HIGH END SYSTEMS INC.			
Title:		Color Pro	
Function:		MAKES THINGS GO	
Drawing No.		10511	
SCH-99030105		REV. 1.1	
Size A2		4-26-2001_16:18	
Page 7		of 10	



HIGH END SYSTEMS INC.

Title:

Color Pro



Function: MAKES THINGS GO

10511

Drawing No. SCH-99030105

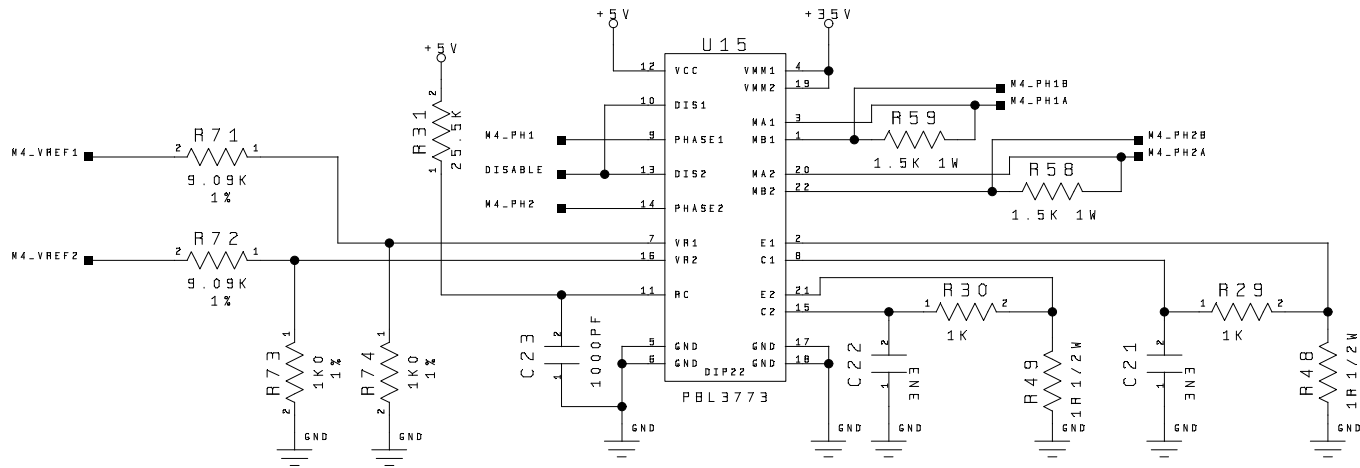
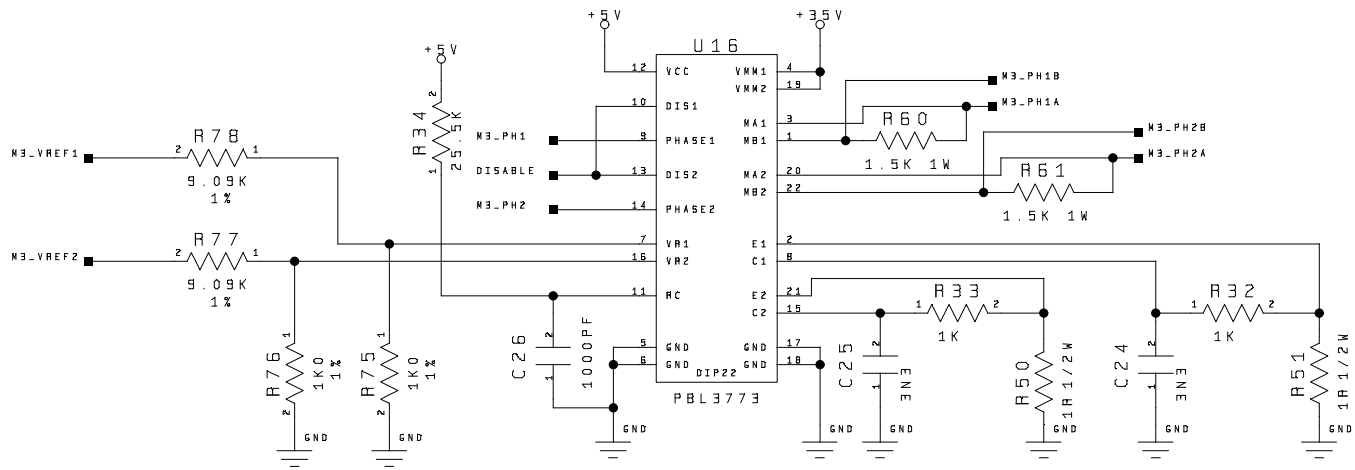
REV. 1.1

Size A2

4-26-2001\_16:18

Page 8 of 10





HIGH END SYSTEMS INC.

Title:

Color Pro



Function: MAKES THINGS GO

10511

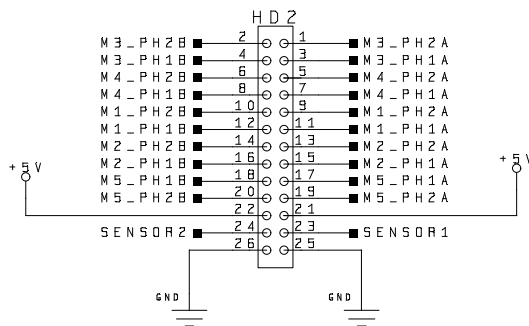
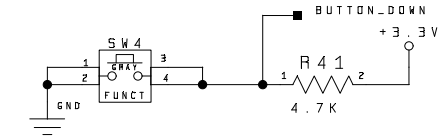
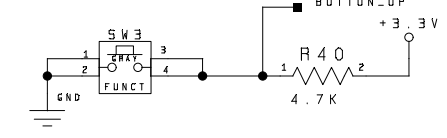
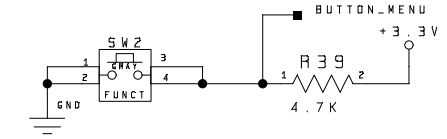
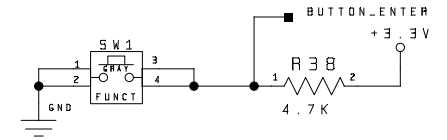
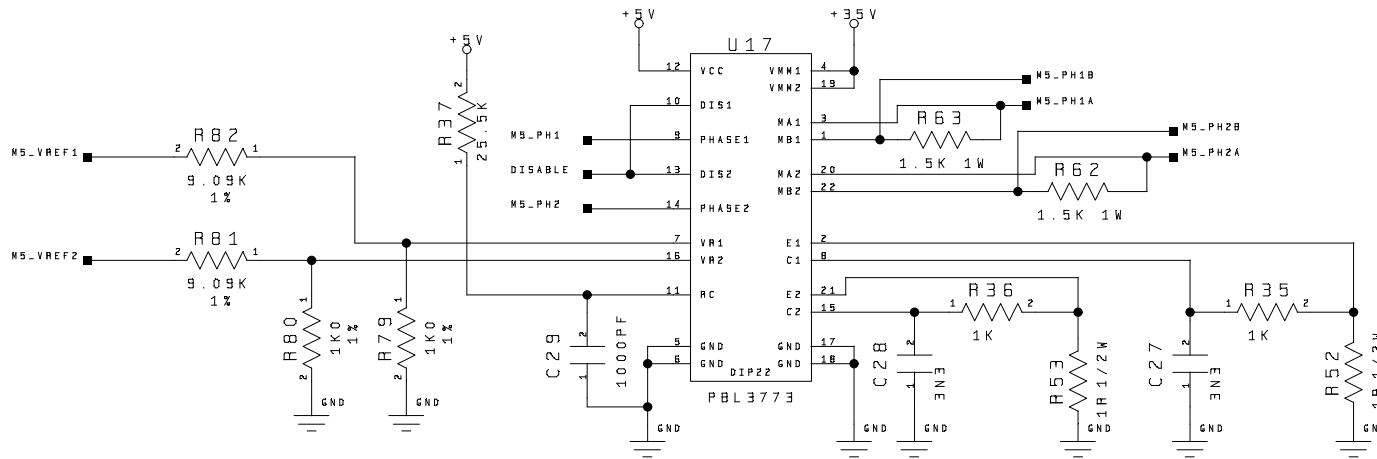
Drawing No. SCH-99030105

REV. 1.1

Size A2

4-26-2001\_16:18

Page 9 of 10



HIGH END SYSTEMS INC.			
Title:		Color Pro	
Function:		MAKES THINGS GO	10511
Drawing No.	REV.	Size	4-26-2001_16:18
SCH-99030105	1.1	A2	Page 10 of 10