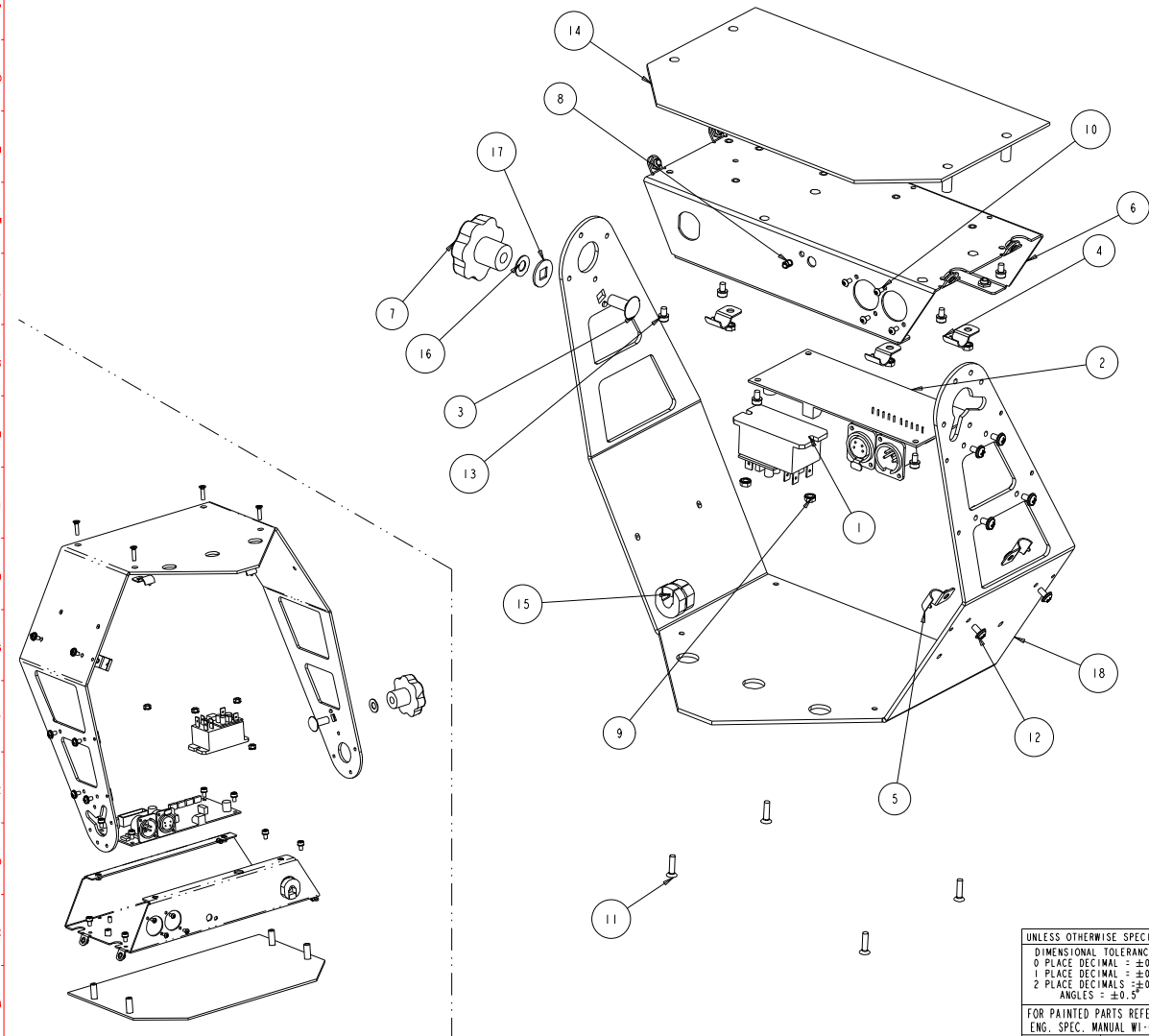
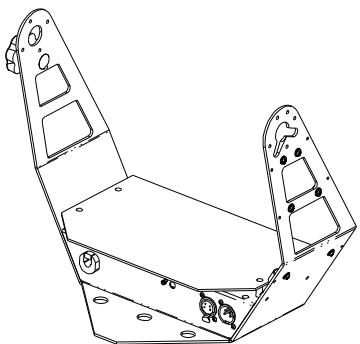


UPA003



SCALE 0.380

REV.	DESCRIPTION	DATE	ENG	ECO #	APPR



SCALE 0.380

18	1	UP101	UP90001	YOKE, FIXTURE MOUNT, CCMD
17	1	UP512	UP90137	WASHER, HEAD TILT CCMD
16	1	UP503	UP90085	WASHER, BELLVILLE, 8.0 X 16.0 X 0.8 MM THK
15	1	UP701	UP90082	STRAIN RELIEF, AC POWER CORD
14	1	UP103	UP90092	SHIELD, HEAT, ELECTRONICS BOX, SLKSCR
13	8	UP_SCRM4AC06BZ		SCREW, M4 SOCKET CAP 06 BZ
12	6	UP_SCRM4PPW08BZ		SCREW, M4 PHIL PAN SEMS 08 BZ
11	4	UP_SCRM4PF06		SCREW, M4 PHIL FLAT 16
10	4	UP_SCRM3AB06BZ		SCREW, M3 BUTTON 06 BZ NYTEMP
9	5	UPHW90132	UP90132	NUT, M4 KEPS
8	1	UP505	UP90077	LENS, LED, .190 DIA, RED CCMD
7	1	UP501	UP90063	KNOB, M8 THD, CCMD
6	1	UP102	UP90002	ENCLOSURE, ELECTRONICS BOX CCMD
5	6	UP513	UP90070	CLAMP, HALF, 12mm X M4 THD, CCMD
4	3	UP514	UP90145	CLAMP, HALF, 12mm X 5.44 THRU, CCMD
3	1	UP504	UP90071	BOLT, M8-1.25 CARRIAGE 20 LG.
2	1	UP90066	80010162	BOARD, ASSY DATA IN/OUT CCMD
1	1	UP426	UP90089	ASSY, RELAY REGULATOR 24V
ITEM NO.	QTY.	FILENAME	PART NO.	DESCRIPTION

BILL OF MATERIALS

UNLESS OTHERWISE SPECIFIED	RELEASE DATE:	CE:	 2209 WEST BRAKER LANE AUSTIN, TEXAS 78758 (512) 832-0363 FAX (512) 832-8542 ***** http://www.highend.com	
DIMENSIONAL TOLERANCES:	ENG:	OA:		
0 PLACE DECIMAL = ±0.38	ME:	DRW:		
1 PLACE DECIMAL = ±0.25	MEG:			
2 PLACE DECIMALS = ±0.13	ANGLES = ±0.5°	DESCRIPTION:	YOKE, SUB-ASSY CCMD	
FOR PAINTED PARTS REFER TO	MATERIAL:	FINISH:	NA	
ENG. SPEC. MANUAL WI-0592	CHARTED			
MIN. DRAFT	INTERPRET DIMENSIONS PER	PART NO.	DRAWING NO.	
MIN. RADII	ASME Y14.5M-1994	NA	UPA003	
FLATNESS	THIRD ANGLE PROJECTION		REV.	
THICKNESS	DIMENSIONS ARE IN MILLIMETERS		1	
VOLUME		DO NOT SCALE	SCALE: 0.600	SHEET: 1 OF 1

PROPRIETARY NOTICE:
 THIS DOCUMENT CONTAINS CONFIDENTIAL AND PROPRIETARY INFORMATION OF HIGH END SYSTEMS INC., (ALSO DBA LIGHTWAVE RESEARCH) AND IS GIVEN TO THE RECEIVER IN CONFIDENCE. THE RECEIVER ACCEPTS AND AGREES THAT, EXCEPT AS AUTHORIZED BY HIGH END SYSTEMS, THE RECEIVER WILL NOT PERMIT THE USE OF THE DOCUMENT OR ANY COPY THEREOF OR THE INFORMATION THEREIN, WILL NOT COPY OR PERMIT COPYING THE DOCUMENT OR THE INFORMATION THEREIN, AND WILL UPON COMPLETION OF THE NEED TO RETAIN THE DOCUMENT, OR UPON DEMAND, RETURN THE DOCUMENT WITHOUT RETAINING ANY OF THE INFORMATION CONTAINED THEREIN IN ANY FORM WHATSOEVER.