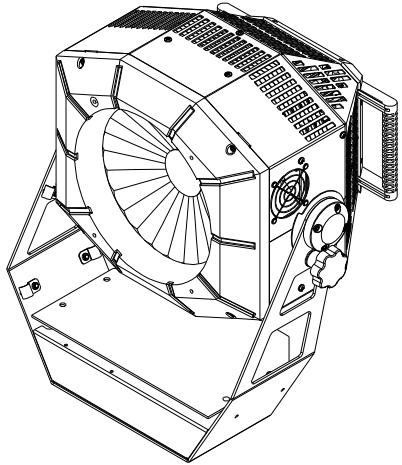
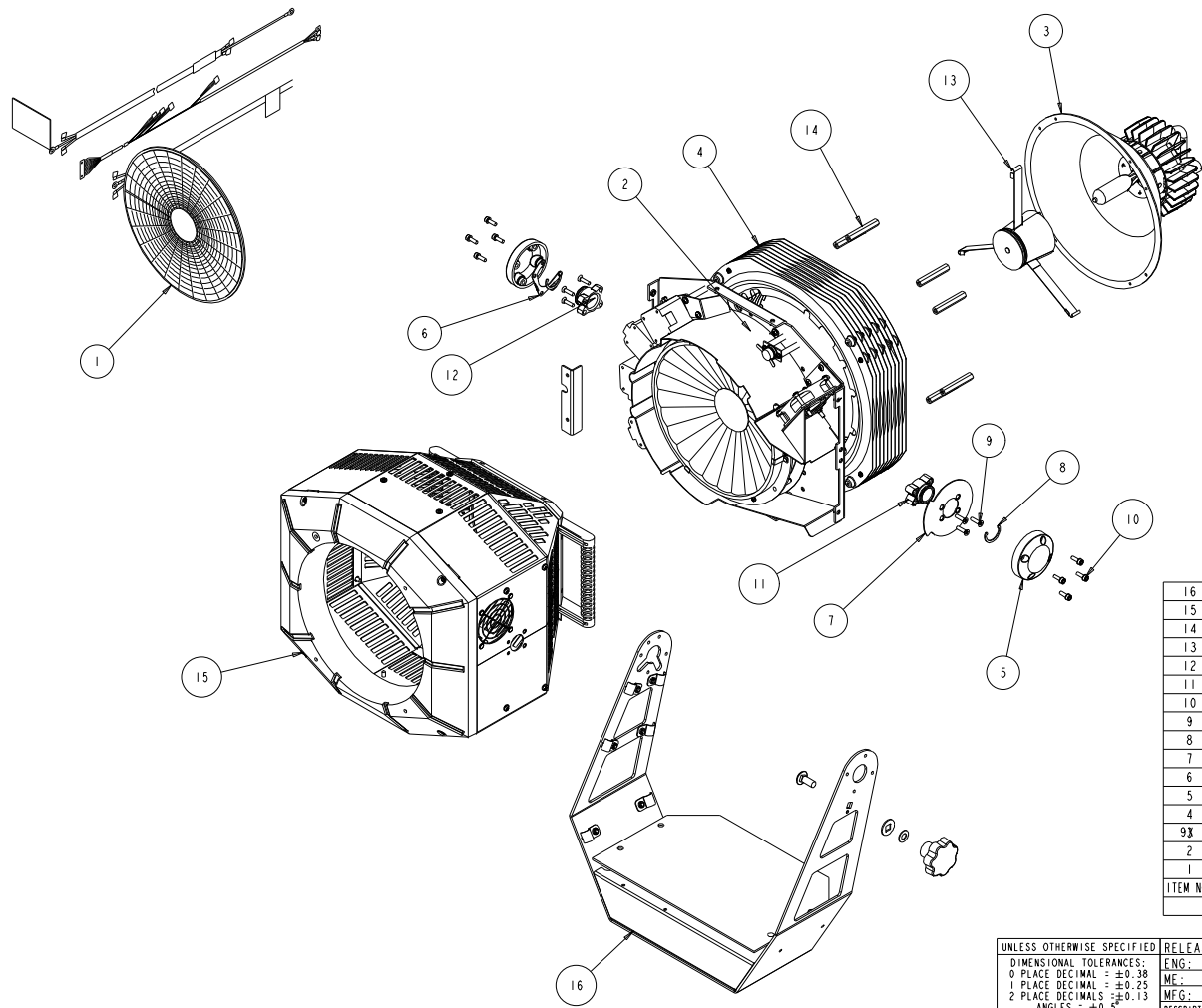


UPA001

REV.	DESCRIPTION	DATE	ENG	ECO #	APPR



ITEM NO.	QTY.	FILENAME	PART NO.	DESCRIPTION
16	1	UPA003_YOKE	NA	YOKE, SUB-ASSY CCMD
15	1	UPA005_CVRS	..	SUB-ASSY, BEZEL / COVERS CCMD
14	8	UP307	UP90017	STANDOFF, REFLECTOR SPACER CCMD
13	1	UPA012	UP90312	SHIELD, ASSY, LAMP CCMD SVC
12	1	UP329	UP90142	SHAFT, TILT RIGHT CCMD
11	1	UP327	UP90052	SHAFT, TILT LEFT CCMD
10	8	UP_SCRMAAC12	UP900M4_12AC	SCREW, M4 SOCKET CAP 12 BZ SEMS
9	8	UP_SCRMAPF16	UP900M4_16PF	SCREW, M4 PHIL PAN 16
8	2	UP511	UP90069	RING, RETAINING, TILT TUBE CCMD
7	1	UP124	UP90011	PLATE, TILT STOP CCMD
6	1	UP116	UP90136	GUARD, YOKE WIRE CCMD
5	2	UP328	UP90053	COVER, TILT END CAP CCMD
4	1	UPA015	UP90311	ASSY, VENT RING CCMD
3	1	UPA006_REFL	UP90302	ASSY, REFLECTOR CCMD
2	1	UPA004	UP90306	ASSY, OPTICAL MODULE CCMD
1	1	UPA008_MISC	NA	ASSY, MISC PARTS CCMD

BILL OF MATERIALS

UNLESS OTHERWISE SPECIFIED	RELEASE DATE:	CE:	2209 WEST BRAKER LANE AUSTIN, TEXAS 78758 (512) 832-0363 FAX (512) 832-8542 ***** http://www.highend.com	
DIMENSIONAL TOLERANCES:	ENG:	OA:		
0 PLACE DECIMAL = ±0.38	ME:			
1 PLACE DECIMAL = ±0.25	MEG:	DRW: L ROESSLER		
2 PLACE DECIMALS = ±0.13	ANGLES = ±0.5°	DESCRIPTION:	ASSY, TOP LEVEL FIXTURE CCMD	
FOR PAINTED PARTS REFER TO ENG. SPEC. MANUAL WI-0592	MATERIAL:	FINISH:	NONE	
MIN. DRAFT	INTERPRET DIMENSIONS PER	SI METRIC	PART NO.	DRAWING NO.
MIN. RADII	ASME Y14.5M-1994	A1	NA	UPA001
FLATNESS	THIRD ANGLE PROJECTION		DO NOT SCALE	SCALE: 0.350
THICKNESS	DIMENSIONS ARE IN MILLIMETERS			SHEET: 1 OF 1
VOLUME				

**PROPRIETARY NOTICE:**  
 THIS DOCUMENT CONTAINS CONFIDENTIAL AND PROPRIETARY INFORMATION OF HIGH END SYSTEMS INC., (ALSO DBA LIGHTWAVE RESEARCH) AND IS GIVEN TO THE RECEIVER IN CONFIDENCE. THE RECEIVER ACCEPTS AND AGREES THAT, EXCEPT AS AUTHORIZED BY HIGH END SYSTEMS, THE RECEIVER WILL NOT PERMIT THE USE OF THE DOCUMENT OR ANY COPY THEREOF OR THE INFORMATION THEREIN, WILL NOT COPY OR PERMIT COPYING THE DOCUMENT WILL NOT DISCLOSE TO OTHERS EITHER THE DOCUMENT OR THE INFORMATION THEREIN, AND WILL UPON COMPLETION OF THE NEED TO RETAIN THE DOCUMENT, OR UPON DEMAND, RETURN THE DOCUMENT WITHOUT RETAINING ANY OF THE INFORMATION CONTAINED THEREIN IN ANY FORM WHATSOEVER.