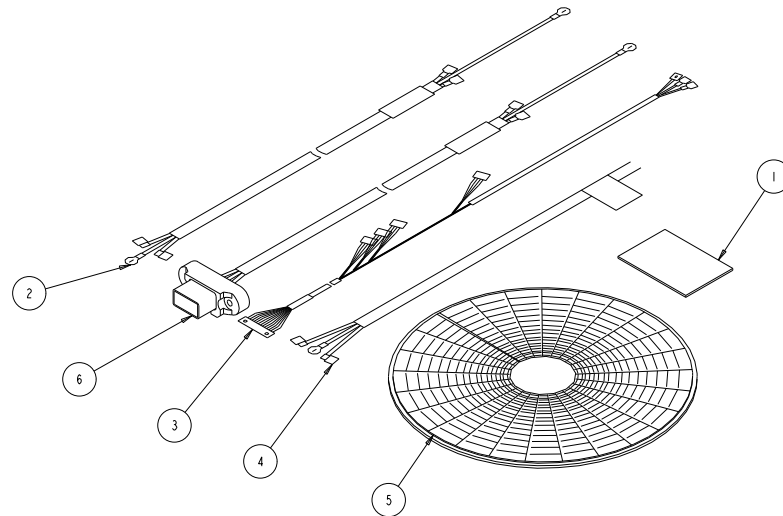


UPA008

| REV. | DESCRIPTION | DATE | ENG | ECO # | APPR |
|------|--|---------|-----|-------|------|
| A | RELEASE FOR PRODUCTION | 16DEC03 | LR | | |
| B | HARNESS WIRE NOW INCLUDES LAMP SOCKET;;ADD UP704 | 11MAR08 | LR | | |



| ITEM NO. | QTY. | FILENAME | PART NO. | REV | DESCRIPTION |
|----------|------|----------|----------|-----|---|
| 6 | 1 | UP702 | UP90064 | A | SOCKET, LAMP W/WIRE CCMD |
| 5 | 1 | UP408 | UP90148 | A | LENS, BEAM SIZE, 25 SEGMENT MOLDED CCMD |
| 4 | 1 | UP703 | UP90081 | A | HARNESS, POWER CCMD |
| 3 | 1 | UP705 | UP90065 | A | HARNESS, MOTOR CCMD |
| 2 | 1 | UP704 | UP90080 | A | HARNESS, LAMP POWER CCMD |
| 1 | 1 | UP506 | UP90153 | A | FOAM, 65 X 45 X 1.5MM, CCMD |

BILL OF MATERIALS

| | | | | | |
|--|---------------------------------------|---|--------------------|--|-----------------------------|
| UNLESS OTHERWISE SPECIFIED: DIMENSIONAL TOLERANCES: 0 PLACE DECIMAL = ±0.38 1 PLACE DECIMAL = ±0.25 2 PLACE DECIMALS = ±0.13 ANGLES = ±0.5° | RELEASE DATE: | CE: | High End | 2209 WEST BRAKER LANE AUSTIN, TEXAS 78758 (512) 832-0363 FAX (512) 832-8542 http://www.highend.com | LR LIGHTWAVE RESEARCH |
| FOR PAINTED PARTS REFER TO ENG. SPEC. MANUAL WI-0592 | DESCRIPTION: ASSY, MISC PARTS CCMD | FINISH: NA | | | |
| MIN. DRAFT | MATERIAL: CHARTED | INTERPRET DIMENSIONS PER ASME Y14.5M-1994 THIRD ANGLE PROJECTION DIMENSIONS ARE IN MILLIMETERS | SI METRIC A1 | PART NO. REF | DRAWING NO. UPA008 |
| MIN. RADII | | | | DO NOT SCALE | SCALE: 0.630 |
| FLATNESS | | | | | SHEET: 1 OF 1 |
| THICKNESS | | | | | |
| VOLUME | | | | | |

PROPRIETARY NOTICE:
THIS DOCUMENT CONTAINS CONFIDENTIAL AND PROPRIETARY INFORMATION OF HIGH END SYSTEMS INC., (ALSO DBA LIGHTWAVE RESEARCH) AND IS GIVEN TO THE RECEIVER IN CONFIDENCE. THE RECEIVER ACCEPTS AND AGREES THAT, EXCEPT AS AUTHORIZED BY HIGH END SYSTEMS, THE RECEIVER WILL NOT PERMIT THE USE OF THE DOCUMENT OR ANY COPY THEREOF OR THE INFORMATION THEREIN, WILL NOT COPY OR PERMIT COPYING THE DOCUMENT WILL NOT DISCLOSE TO OTHERS EITHER THE DOCUMENT OR THE INFORMATION THEREIN, AND WILL UPON COMPLETION OF THE NEED TO RETAIN THE DOCUMENT, OR UPON DEMAND, RETURN THE DOCUMENT WITHOUT RETAINING ANY OF THE INFORMATION CONTAINED THEREIN IN ANY FORM WHATSOEVER.