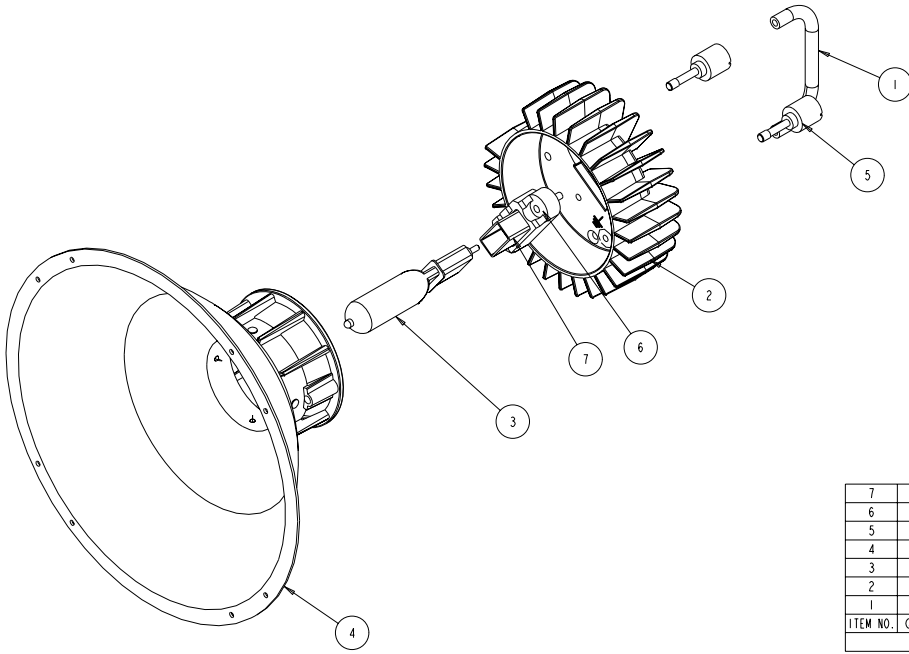


UPA006

REV.	DESCRIPTION	DATE	ENG	ECO #	APPR
B	DELETED PART NUMBER	08NOV06	KDB		



ITEM NO.	QTY.	FILENAME	PART NO.	REV	DESCRIPTION
7	1	UP702	UP90064	A	SOCKET, LAMP W/WIRE CCMD
6	2	UPHWD_18	UP900M4_14PPW	.	SCREW, M4 PHIL PAN 14 SEMS
5	2	UP302	UP90057	B	SCREW, LAMP REPLACE CCMD
4	1	UPA011	UP90302	A	REFLECTOR, ASSY CCMD
3	1	UP510	55030064	A	LAMP, 750W HALOGEN G9.5
2	1	UP325	UP90021	A	HEATSINK, LAMP SOCKET CCMD
1	1	UP301	UP90076	A	HANDLE, LAMP HOUSING CCMD

BILL OF MATERIALS

UNLESS OTHERWISE SPECIFIED DIMENSIONAL TOLERANCES: 0 PLACE DECIMAL = ±0.38 1 PLACE DECIMAL = ±0.25 2 PLACE DECIMALS = ±0.13 ANGLES = ±0.5°	RELEASE DATE:	CE:	 2209 WEST BRAKER LANE AUSTIN, TEXAS 78758 (512) 832-0363 FAX (512) 832-8542 ***** http://www.highend.com	 LIGHTWAVE RESEARCH
FOR PAINTED PARTS REFER TO ENG. SPEC. MANUAL WI-0592	ENG:	QA:		
MIN. DRAFT	ME:	DRW: L ROESSLER		
MIN. RADI	MEG:			
FLATNESS	DESCRIPTION: ASSY, REFLECTOR CCMD	MATERIAL: CHARTED	FINISH: NONE	
THICKNESS	INTERPRET DIMENSIONS PER ASME Y14.5M-1994 THIRD ANGLE PROJECTION	 SI METRIC A1	PART NO.	DRAWING NO. UPA006
VOLUME	DIMENSIONS ARE IN MILLIMETERS		DO NOT SCALE	SCALE: 0.750
				SHEET: 1 OF 1

PROPRIETARY NOTICE:
THIS DOCUMENT CONTAINS CONFIDENTIAL AND PROPRIETARY INFORMATION OF HIGH END SYSTEMS INC., (ALSO DBA LIGHTWAVE RESEARCH) AND IS GIVEN TO THE RECEIVER IN CONFIDENCE. THE RECEIVER ACCEPTS AND AGREES THAT, EXCEPT AS AUTHORIZED BY HIGH END SYSTEMS, THE RECEIVER WILL NOT PERMIT THE USE OF THE DOCUMENT OR ANY COPY THEREOF OR THE INFORMATION THEREIN. WILL NOT COPY OR PERMIT COPYING THE DOCUMENT WILL NOT DISCLOSE TO OTHERS EITHER THE DOCUMENT OR THE INFORMATION THEREIN, AND WILL UPON COMPLETION OF THE NEED TO RETAIN THE DOCUMENT, OR UPON DEMAND, RETURN THE DOCUMENT WITHOUT RETAINING ANY OF THE INFORMATION CONTAINED THEREIN IN ANY FORM WHATSOEVER.