

CW PROFILE HP™

user manual

©2017 **ELATION PROFESSIONAL** all rights reserved. Information, specifications, diagrams, images, and instructions herein are subject to change without notice. ELATION PROFESSIONAL logo and identifying product names and numbers herein are trademarks of ELATION PROFESSIONAL. Copyright protection claimed includes all forms and matters of copyrightable materials and information now allowed by statutory or judicial law or hereinafter granted. Product names used in this document may be trademarks or registered trademarks of their respective companies and are hereby acknowledged. All non-ELATION brands and product names are trademarks or registered trademarks of their respective companies.

ELATION PROFESSIONAL and all affiliated companies hereby disclaim any and all liabilities for property, equipment, building, and electrical damages, injuries to any persons, and direct or indirect economic loss associated with the use or reliance of any information contained within this document, and/or as a result of the improper, unsafe, insufficient and negligent assembly, installation, rigging, and operation of this product.

Elation Professional USA | 6122 S. Eastern Ave. | Los Angeles, CA. 90040
323-582-3322 | 323-832-9142 fax | www.elationlighting.com | info@elationlighting.com

Elation Professional B.V. | Junostraat 2 | 6468 EW Kerkrade, The Netherlands
+31 45 546 85 66 | +31 45 546 85 96 fax | www.elationlighting.eu | info@elationlighting.eu



DOCUMENT VERSION

Due to additional product features and/or enhancements, an updated version of this document may be available online.

Please check www.elationlighting.com for the latest revision/update of this manual, before beginning installation and/or programming.

Date	Document Version	Software Version \geq	DMX Channel Modes	Notes
08/25/17	1	1.1.1A	1 / 4	Initial release.

C O N T E N T S

General Information	4
Warranty	6
Safety Instructions and Guidelines	7
Overview	9
Lens and Gobo Holder Installation	10
Installation	11
System Menu	14
DMX Channel Functions And Values	21
Cleaning and Maintenance	22
Technical Specifications	23
Optional Accessories	25

GENERAL INFORMATION

INTRODUCTION

Congratulations, you have just purchased one of the most innovative and reliable lighting fixtures on the market today! This fixture has been designed to perform reliably for years when the guidelines in this booklet are followed. Please read and understand the instructions in this manual carefully and thoroughly before attempting to operate this unit. These instructions contain important information regarding safety during use and maintenance.

UNPACKING

Every fixture has been thoroughly tested and has been shipped in perfect operating condition. Carefully check the shipping carton for damage that may have occurred during shipping. If the carton appears to be damaged, carefully inspect your unit for damage and be sure all accessories necessary to operate the unit have arrived intact. In the event damage has been found or parts are missing, please contact our customer support team for further instructions. Please do not return this unit to your dealer without first contacting customer support at the number listed below. Please do not discard the shipping carton in the trash. Please recycle whenever possible.

BOX CONTENTS

- 5pin DMX Cable
- powerCON TRUE1 Cable
- Safety Cable

CUSTOMER SUPPORT

Elation Professional® provides a customer support line, to provide set up help and to answer any question should you encounter problems during your set up or initial operation. You may also visit us on the web at www.elationlighting.com for any comments or suggestions. For service related issue please contact Elation Professional®.

ELATION SERVICE USA - Monday - Friday 8:00am to 5:00pm PST

Voice: 323-582-3322

Fax: 323-832-9142

E-mail: support@elationlighting.com

ELATION SERVICE EUROPE - Monday - Friday 08:30 to 17:00 CET

Voice: +31 45 546 85 30

Fax: +31 45 546 85 96

E-mail: support@elationlighting.eu

WARRANTY REGISTRATION

Please complete and mail in the enclosed warranty card or register online: <http://www.elationlighting.com/Login.aspx> to validate your purchase. All returned service items whether under warranty or not, must be freight pre-paid and accompany a return authorization (R.A.) number. The R.A. number must be clearly written on the outside of the return package. A brief description of the problem as well as the R.A. number must also be written down on a piece of paper and included in the shipping container. If the unit is under warranty, you must provide a copy of your proof of purchase invoice. Items returned without a R.A. number clearly marked on the outside of the package will be refused and returned at customer's expense. You may obtain a R.A. number by contacting customer support.



IMPORTANT NOTICE!

There are no user serviceable parts inside this unit. Do not attempt any repairs yourself; doing so will void your manufactures warranty. Damages resulting from modifications to this fixture and/or the disregard of safety and general user instructions found in this user manual void the manufactures warranty and are not subject to any warranty claims and/or repairs.

LIMITED WARRANTY

A. Elation Professional® hereby warrants, to the original purchaser, Elation Professional® products to be free of manufacturing defects in material and workmanship for a period of two years (730 days), and Elation Professional® product rechargeable batteries to be free of manufacturing defects in material and workmanship for a period of six months (180 days), from the original date of purchase. This warranty excludes discharge lamps and all product accessories. This warranty shall be valid only if the product is purchased within the United States of America, including possessions and territories. It is the owner's responsibility to establish the date and place of purchase by acceptable evidence, at the time service is sought.

B. For warranty service, send the product only to the Elation Professional® factory. All shipping charges must be pre-paid. If the requested repairs or service (including parts replacement) are within the terms of this warranty, Elation Professional® will pay return shipping charges only to a designated point within the United States. If any product is sent, it must be shipped in its original package and packaging material. No accessories should be shipped with the product. If any accessories are shipped with the product, Elation Professional® shall have no liability what so ever for loss and/or or damage to any such accessories, nor for the safe return thereof.

C. This warranty is void if the product serial number and/or labels are altered or removed; if the product is modified in any manner which Elation Professional® concludes, after inspection, affects the reliability of the product; if the product has been repaired or serviced by anyone other than the Elation Professional® factory unless prior written authorization was issued to purchaser by Elation Professional®; if the product is damaged because not properly maintained as set forth in the product instructions, guidelines and/or user manual.

D. This is not a service contract, and this warranty does not include any maintenance, cleaning or periodic check-up. During the periods as specified above, Elation Professional® will replace defective parts at its expense, and will absorb all expenses for warranty service and repair labor by reason of defects in material or workmanship. The sole responsibility of Elation Professional® under this warranty shall be limited to the repair of the product, or replacement thereof, including parts, at the sole discretion of Elation Professional®. All products covered by this warranty were manufactured after January 1, 1990, and bare identifying marks to that effect.

E. Elation Professional® reserves the right to make changes in design and/or performance improvements upon its products without any obligation to include these changes in any products theretofore manufactured.

F. No warranty, whether expressed or implied, is given or made with respect to any accessory supplied with the products described above. Except to the extent prohibited by applicable law, all implied warranties made by Elation Professional® in connection with this product, including warranties of merchantability or fitness, are limited in duration to the warranty periods set forth above. And no warranties, whether expressed or implied, including warranties of merchantability or fitness, shall apply to this product after said periods have expired. The consumer's and/or dealer's sole remedy shall be such repair or replacement as is expressly provided above; and under no circumstances shall Elation Professional® be liable for any loss and/or damage, direct and/or consequential, arising out of the use of, and/or the inability to use, this product.

G. This warranty is the only written warranty applicable to Elation Professional® products and supersedes all prior warranties and written descriptions of warranty terms and conditions heretofore published.

SAFETY INSTRUCTIONS AND GUIDELINES

This fixture is an extremely sophisticated piece of electronic equipment. To guarantee a smooth operation, it is important to follow all instructions and guidelines in this manual. The manufacturer of this device is not responsible for injury and/or damages resulting from the misuse of this fixture due to the disregard of the information printed in this manual. Only qualified and/or certified personnel should perform installation of this fixture and only the original rigging parts (omega brackets) included with this fixture should be used for installation. Any modifications to the fixture and/or the mounting hardware included will void the original manufacturer's warranty and increase the risk of damage and/or personal injury.



PROTECTION CLASS 1 - FIXTURE MUST BE PROPERLY GROUNDED

DO NOT PLUG FIXTURE INTO A DIMMER PACK!



NEVER OPEN THIS FIXTURE WHILE IN USE!

UNPLUG POWER BEFORE SERVICING FIXTURE!

NEVER TOUCH FIXTURE DURING OPERATION, AS IT MAY BE HOT!

KEEP FLAMMABLE MATERIALS AWAY FROM FIXTURE!



INDOOR / DRY LOCATIONS USE ONLY!

DO NOT EXPOSE FIXTURE TO RAIN AND MOISTURE!



NEVER LOOK DIRECTLY INTO THE LIGHT SOURCE!

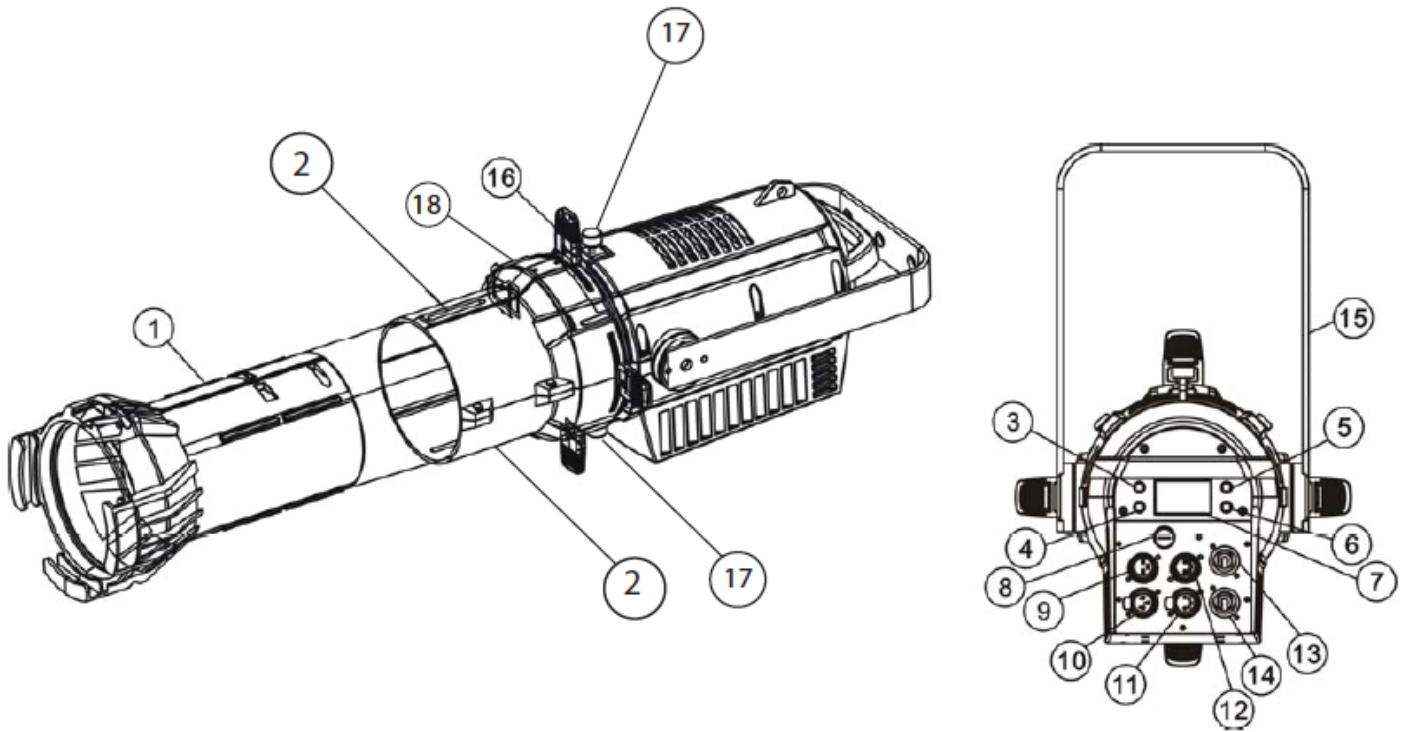
RETINA INJURY RISK - MAY INDUCE BLINDNESS!

SENSITIVE PERSONS MAY SUFFER AN EPILEPTIC SHOCK!

SAFETY INSTRUCTIONS AND GUIDELINES

- **DO NOT TOUCH** the fixture housing during operation. Turn OFF the power and allow approximately 15 minutes for the fixture to cool down before serving.
- **DO NOT** shake fixture, avoid brute force when installing and/or operating fixture.
- **DO NOT** operate fixture if the power cord has become frayed, crimped and/or damaged. If the power cord is damaged, replace it immediately with a new one of similar power rating.
- **DO NOT** block any air ventilation slots. All fan and air inlets must remain clean and never blocked. Allow approx. 6" (15cm) between fixture and other devices or a wall for proper cooling.
- When installing fixture in a suspended environment, always use mounting hardware that is no less than M10 x 25 mm, and always install fixture with an appropriately rated safety cable.
- Always disconnect fixture from main power source before performing any type of service and/or cleaning procedure. Only handle the power cord by the plug end, never pull out the plug by tugging the wire portion of the cord.
- During the initial operation of this fixture, a light smoke or smell may emit from the interior of the fixture. This is a normal process and is caused by excess paint in the interior of the casing burning off from the heat associated with the lamp and will decrease gradually over time.
- Consistent operational breaks will ensure the fixture will function properly for many years to come.
- Use the original packaging and materials to transport the fixture in for service.
- The average LED Life (hours) may vary depending on several factors including but not limited to: Environmental Conditions, Power/Voltage, Usage Patterns (On-Off Cycling), Control and Dimming.

OVERVIEW



1. Lens (not included)

2. FOCUS

3. UP Button

4. DOWN Button

5. MODE/ESC Button

6. ENTER Button

7. LCD Menu Control Display

8. FUSE

9. 5pin DMX IN

10. 3pin DMX IN

11. 3pin DMX OUT

12. 5pin DMX OUT

13. powerCON TRUE1 IN

14. powerCON TRUE1 OUT

15. Mounting Yoke

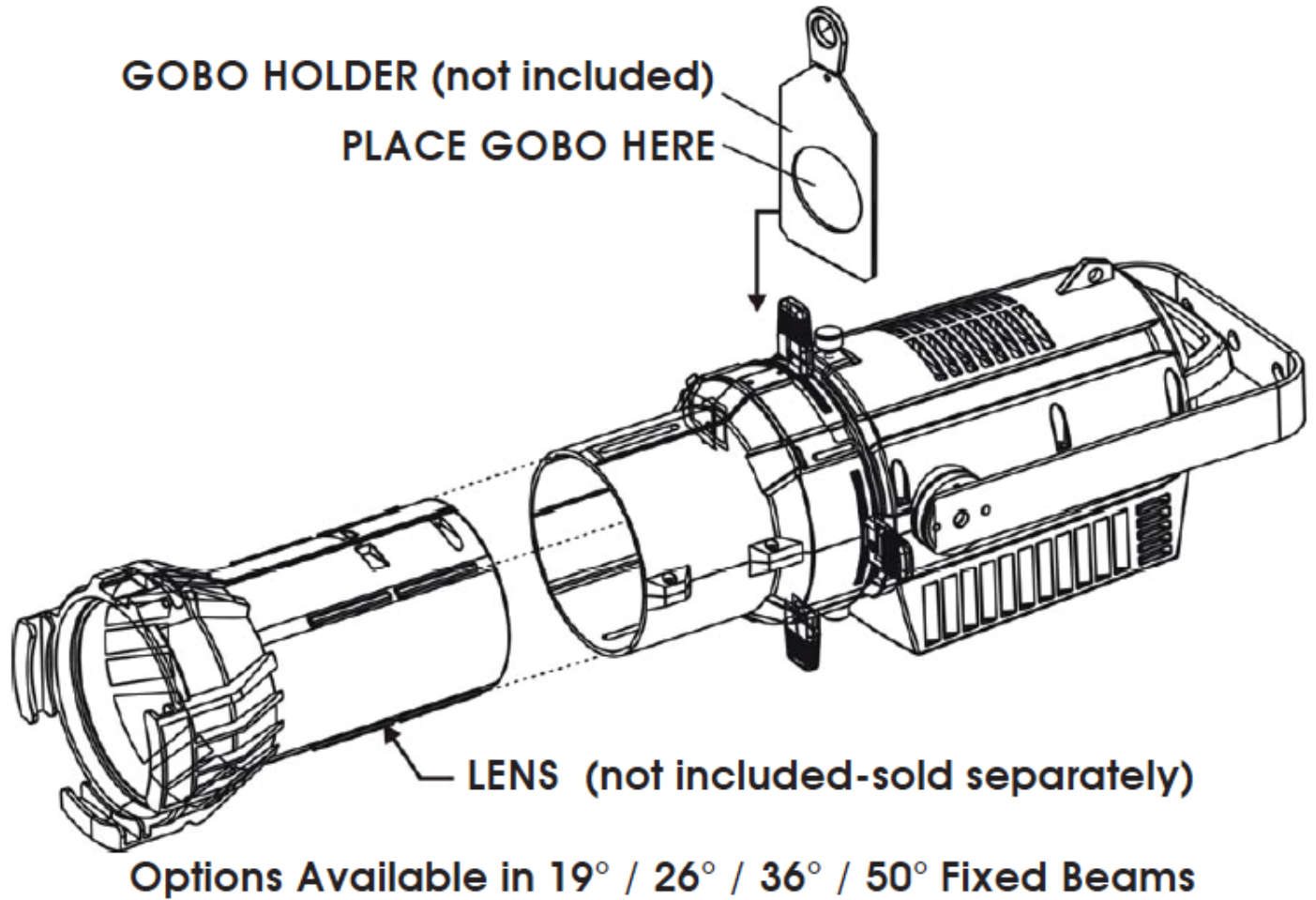
16. BLADE SHUTTERS

17. ROTATION

18. Gobo Slot*

***Gobo and Holder not included**

LENS AND GOBO HOLDER INSTALLATION



Gobo Holder (not included)
Supports "B" Size Metal and HT Transparency Gobos (not included)

INSTALLATION



FLAMMABLE MATERIAL WARNING

Keep fixture at least 5.0 feet (1.5m) away from any flammable materials, decorations, pyrotechnics, etc.



ELECTRICAL CONNECTIONS

A qualified electrician should be used for all electrical connections and/or installations.



WARNING



Minimum distance to lighted objects 0.5 meters.

Minimum distance of inflammable materials from the surface 0.5m.

CAUTIONS

- For added protection, mount the fixture in areas outside walking paths, seating areas, or in areas where unauthorized personnel might reach the fixture.
- Ambient operating temperature range for this fixture is **14° to 113°F. (-10° to 45°C)**
Do not use the fixture under or above this temperature.
- Before mounting the fixture to any surface, make sure the installation area can hold a minimum point load of 10 times the weight of the fixture.
- Fixture installation must always be secured with a secondary safety attachment, such as an appropriate safety cable.
- Never stand directly below the device when mounting, removing or servicing.

POWER LINKING

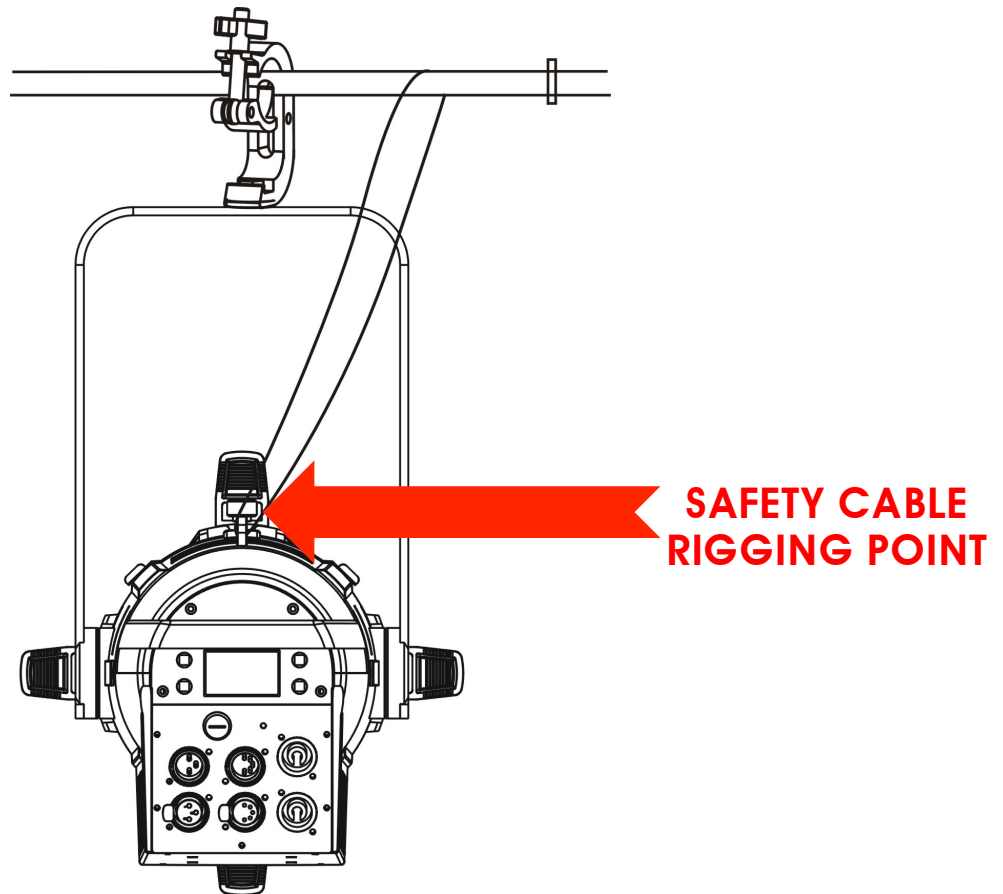
Max number of **CW PROFILE HP™** units power linked together:

5 units @120V | 10 units @240V

- ▶ **NOTE: USE CAUTION WHEN POWER LINKING OTHER FIXTURES TO CW PROFILE HP™ AS THE POWER CONSUMPTION OF OTHER LIGHTING FIXTURES WILL VARY!**

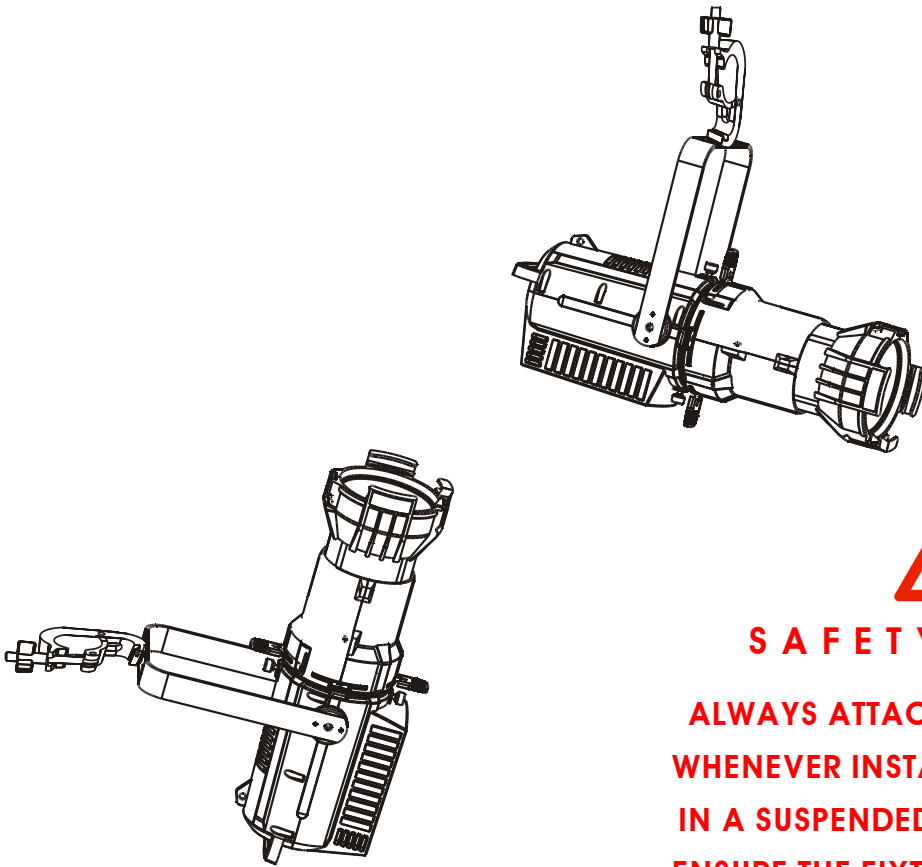
CLAMP MOUNTING

This fixture includes an adjustable mounting yoke and safety cable rigging point attached to the fixture (see the illustration below). When mounting this fixture to truss, be sure to secure an appropriately rated clamp (not included) to the yoke using an M10 screw, and attach a **SAFETY CABLE** to the fixture safety cable rigging point.



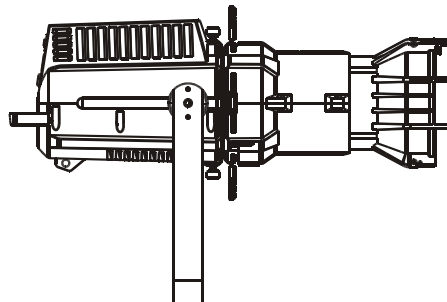
RIGGING

Overhead rigging requires extensive experience, including amongst others calculating working load limits, installation material being used, and periodic safety inspection of all installation material and the fixture. If you lack these qualifications, do not attempt the installation yourself. Improper installation can result in bodily injury. Fixture is fully operational in the specific mounting positions illustrated below.



S A F E T Y C A B L E

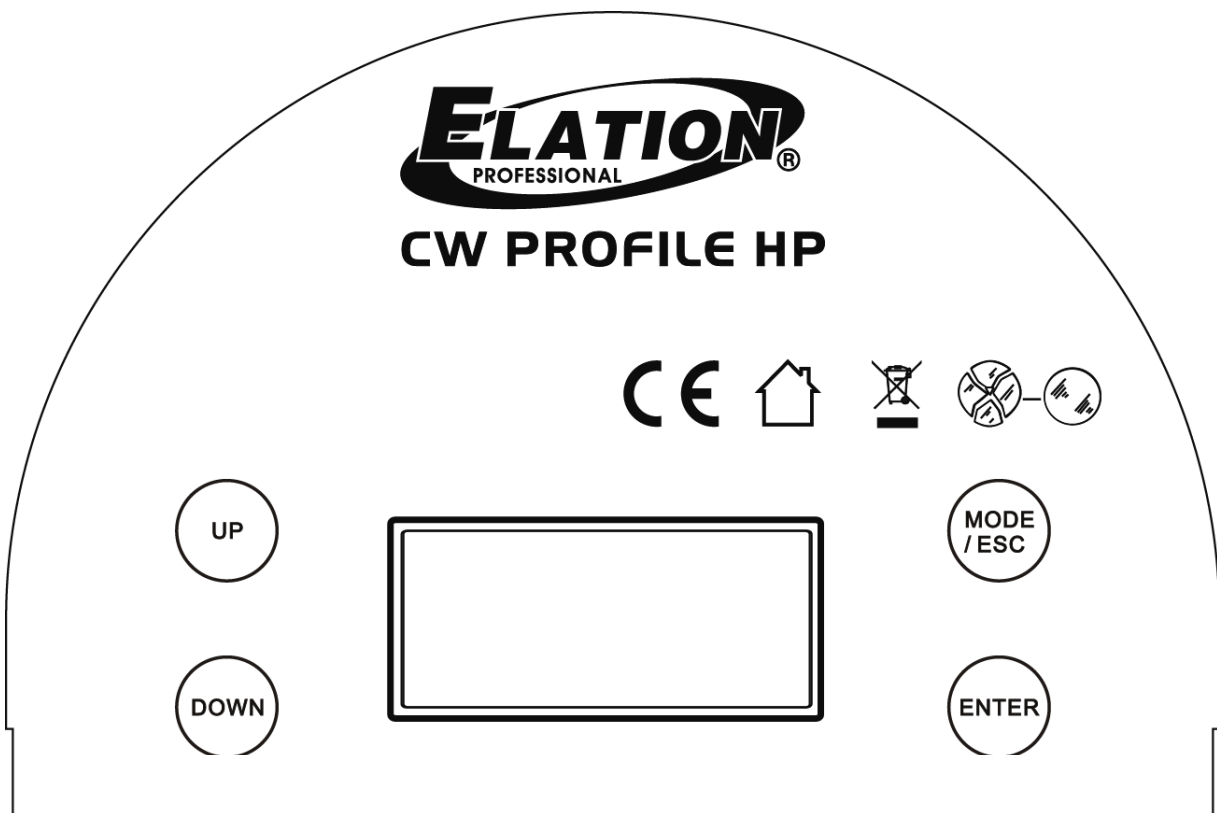
**ALWAYS ATTACH A SAFETY CABLE
WHENEVER INSTALLING THIS FIXTURE
IN A SUSPENDED ENVIRONMENT TO
ENSURE THE FIXTURE WILL NOT DROP
IF THE CLAMP FAILS.**



SYSTEM MENU

The fixture includes an easy to navigate system menu. The control panel (see image below) located on the front of the fixture, provides access to the main system menu and is where all necessary system adjustments are made to the fixture. During normal operation, pressing **MODE/ESC** button once will access the fixture's main menu. Once in the main menu you can navigate through the different functions and access the sub-menus with the **UP**, **DOWN**, **RIGHT**, and **LEFT** buttons. Once you reach a field that requires adjusting, press the **ENTER** button to activate that field and use the **UP** and **DOWN** buttons to adjust the field. Pressing the **ENTER** button once more will confirm your setting. You may exit the main menu at any time without making any adjustments by pressing the **MODE/ESC** button.

- ▶ **NOTE:** To access the LCD Menu Control Display via the internal battery, press and hold the **MODE/ESC** button for 3 seconds. The LCD Menu Control Display will shut **OFF** automatically about 1 minute from the last button press.



**ELATION® CW PROFILE HP™
SYSTEM MENU**

Supports Software Versions: ≥1.1.1A

Features are subject to change without any prior written notice.

MAIN MENU	SUB MENU	OPTIONS / VALUES (Default Settings in BOLD)		DESCRIPTION
FuncMode	Address	001~512		DMX Address Setting
	ValuDisp	=All Ch, Cool, Dimm_F, Stro, Dimm_Mo		DMX Value Display
	SetSlave	Slave1, Slave2, Slave3		Slave Setting
	AutoProg	Alone / Master		Auto Program
Info	TimeInfo	Cur Time	XXXX(Hours)	Power On Running Time
		TotalHrs	XXXX(Hours)	Fixture Running Time
		Last Hrs	XXXX(Hours)	Fixture Last Times Clear
		TimePass	Password=XXX	Timer Password 038
		Clr Last	ON/ OFF	Clear Fixture Last Time
	TemplInfo	HeadTemp	XXX C° / F°	Temperature in Fixture
	Soft Ver	=1.0.0 (or greater)		Software Version
Persnal	Stat Set	Addr DMX	ON/OFF	Address Via DMX
		NoDMXSta	CloShut/ Hold /Auto	Auto Run If No DMX
	Disp Set	Off Time	02~60m 05m	LCD Display Shut Off Time
		Key Lock	ON/ OFF	When ON, Control Panel Buttons Lock After 15 secs. Press/Hold MODE/ESC Button For 3 secs to Unlock.
	Temp C/F	Cels/ Fahren		Temperature Switch Between C° / F°
	Man Hold	ON/ OFF		Keep Manual Settings after Power Loss
	Refresh	Fq = 900 - 1500, 25000 (1200)		Refresh Frequency Rate Setting
	Gamma	Gama = 2.0, 2.2 , 2.4, 2.8		Gamma Setting
ResetDef	ON/ OFF	Passcode 011	Restore factory settings	
ManCntrl	ManCntrl	Cool= 000 -255 DimF= 000 -255 Stro= 000 -255 DIMo= 000 -255		Adjust Functions Manually
		Calibrat	Password	Passcode 050
		White [255 -0]		Calibrate LED
Mode Set	UserMode	=1CH , =4CH		DMX Channel Modes
Dimming	DimModes	Standar , Stage, TV, Archite, Theatre		Dimming Curve Modes
EditProg	Sel Prog	ProPart1 = Prog 1~10 (Program 1)		Select Programs To Be Run
		ProPart2 = Prog 1~10 (Program 2)		
		ProPart3 = Prog 1~10 (Program 3)		
	EditProg	Prog 1	ProgTest = T01SCxxx	Testing Program
		: Prog 10	EdStep 01 = S01SCxxx EdStep 64 = S64SCxxx	Program In Loop Save and Exit
EditScen	Scene 001 ~ Scene 250	Cool = Cool=xxx ~ InByOut = Time=xx.xs	Save and Automatically Return Manual Scenes Edit	
RecCntrl	XX~XX		Automatic Scenes Recorder	

Persnal - Stat Set - Addr DMX

When ON, define the desired fixture DMX address via an external controller.

NOTE: This process assumes the fixture DMX address is set to 001. If fixture DMX address is not at 001, you must adjust the channel numbers listed below accordingly in order for this feature to work. For example: if your fixture address is 010, then Channel 1 becomes Channel 10, Channel 2 becomes Channel 11, and Channel 3 becomes Channel 12.

1. Connect the fixture to the external controller and power ON.
2. Set the DMX value of **Channel 1** on the controller to **(7)**.
3. Set the DMX value of **Channel 2** on the controller to **(7)** or **(8)**.
When set to **(7)**, the DMX address can be set between **(1)** and **(255)**.
When set to **(8)**, the DMX address can be set between **(256)** and **(511)**.
4. Using **Channel 3** on the controller set the desired DMX address of the fixture.

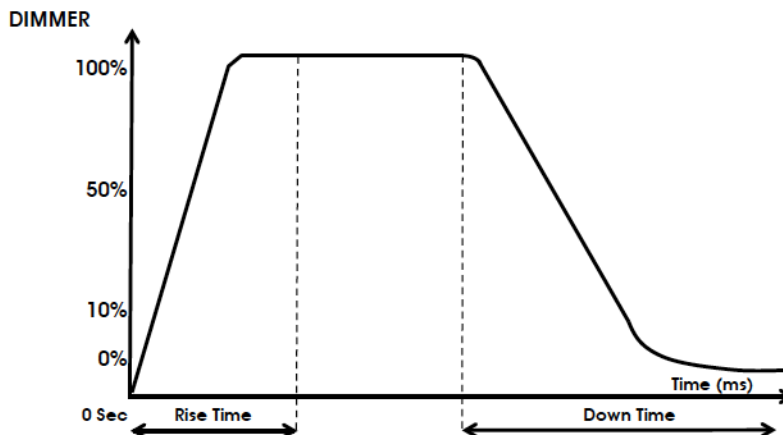
Example 1: If the desired DMX address is **57**, set **Channel 1** to a value of **(7)**, set **Channel 2** to a value of **(7)**, and then set **Channel 3** to a value of **(57)**.

Example 2: If the desired DMX address is **420**, set **Channel 1** to a value of **(7)**, set **Channel 2** to a value of **(8)**, and then set **Channel 3** to a value of **(164)**.
(256+164=420)

5. After setting **Channel 3** to the desired DMX address value, wait approximately 20-45 seconds for the new address to be assigned to the fixture.

Dimming – DimModes

Select dimming modes (Standar, Stage, TV, Archite, Theatre).



Dimming Curve Ramp Effect	0 sec Fade Time		1 sec Fade Time	
	Rise Time (ms)	Down Time (ms)	Rise Time (ms)	Down Time (ms)
Standard (default)	0	0	0	0
Stage	780	1100	1540	1660
TV	1180	1520	1860	1940
Architectural	1380	1730	2040	2120
Theatre	1580	1940	2230	2280

Personal - Reset Default (011)



ONLY QUALIFIED TECHNICIANS SHOULD PERFORM THIS FUNCTION.

NOTE: SAVED WHITE BALANCE IS ERASED AFTER A RESET IS PERFORMED.

This function restores all fixture settings to the factory default settings. The password is **011** and must be entered each time a reset is performed.

EditProg – Sel Prog

Select one of the (10) user defined internal Auto Programs.

EditProg – EditProg

Edit any of the (10) user defined internal Auto Programs.

EditProg – EditScen

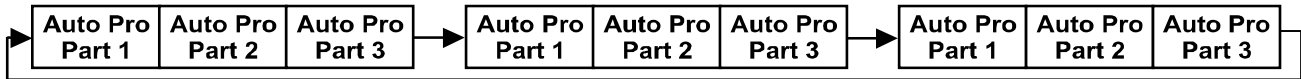
Edit any of the (250) scenes of the internal Auto Programs.

EditProg – RecCntrl

The fixture features an integrated DMX-recorder by which you can transmit the programmed scenes from your DMX-controller to the moving head. Adjust the desired scene numbers via the encoder (from – to). When you call up the scenes at your controller, they will automatically be transmitted to the moving head.

EDIT PROGRAM – Record Controller – Working With Built In Programs

A Master unit can send up to 3 different data groups to the Slave units, i.e. a Master unit can start 3 different Slave units, which run 3 different programs. The Master unit sends the 3 program parts in a continuous loop.



The Slave unit receives data from the Master unit according to the group which the Slave unit was assigned to. If e.g. a Slave unit is set to “**Slave 1**” in the menu “**Set to Slave**”, the Master unit sends “**Auto Program Part 1**” to the Slave unit.

If set to “**Slave 2**”, the Slave unit receives “**Auto Program Part 2**”.

To start an Auto Program proceed as follows:

1. Slave Setting

- Select “**Function Mode**”.
- Press **ENTER** to confirm.
- Select “**Set to Slave**”.
- Press **ENTER** to confirm.
- Select “**Slave 1**”, “**Slave 2**” or “**Slave 3**”.
- Press **ENTER** to confirm.
- Press **MODE/ESC** in order to return to the main menu.

2. Automatic Program Run

- Select “**Function Mode**”.
- Press **ENTER** to confirm.
- Select “**Auto Program**”.
- Press **ENTER** to confirm.
- Select “**Master**” or “**Alone**”.
- Press **ENTER** to confirm.
- Press **MODE/ESC** in order to return to the main menu.

EDIT PROGRAM – Record Controller – Working With Built-In Program [continued]

3. Program Selection for Auto Pro Part

- Select “**Edit Program**”.
- Press **ENTER** to confirm.
- Select “**Select Programs**”.
- Press **ENTER** to confirm.
- Select “**Auto Pro Part 1**”, “**Auto Pro Part 2**” or “**Auto Pro Part 3**”, and select which Slave program is to be sent. Selection “**Part 1**” means, that the Slave unit runs the same program as the master units.
- Press **ENTER** to confirm.
- Press **MODE/ESC** in order to return to the main menu.

4. Program Selection for Edit Program

- Select “**Edit Program**”.
- Press **ENTER** to confirm.
- Select “**Edit Program**”.
- Press **ENTER** to confirm.
- Select the desired program to edit specific scenes into a specific program.
- Press **ENTER** to confirm.
- Press **MODE/ESC** in order to return to the main menu.

5. Automatic Scene Recording

- Select “**Edit Program**”.
- Press **ENTER** to confirm.
- Select “**Edit Scenes**”.
- Select desired scene numbers. A maximum of 250 scenes can be programmed.
- Press **ENTER** to confirm.
- Press **MODE/ESC** in order to return to the main menu.

EDIT PROGRAM – Record Controller – Working With Built-In Program [continued]

Example:

Program 2 includes scenes: 10, 11, 12, & 13

Program 4 includes scenes: 8, 9, & 10

Program 6 includes scenes: 12, 13, 14, & 15

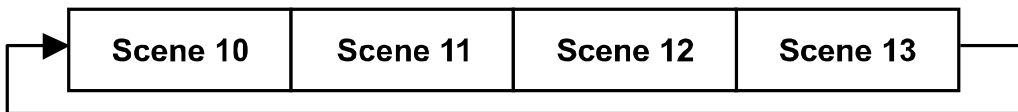
Auto Pro Part 1 is Program 2

Auto Pro Part 2 is Program 3

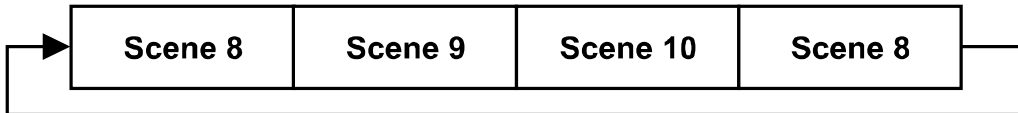
Auto Pro Part 3 is Program 6

The 3 Slave groups run the Auto Program in certain time segments. (See diagram below)

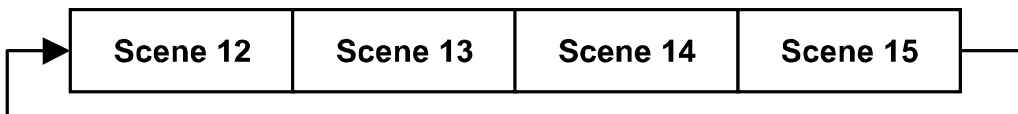
Part 1:



Part 2:



Part 3:



DMX CHANNEL FUNCTIONS AND VALUES

ELATION® CW PROFILE HP™			
DMX Channel Values / Functions (4 DMX Channels)			
Specifications are subject to change without any prior written notice.			
MODE / CHANNEL		VALUE	FUNCTION
1CH	4CH		
1	1		DIMMER
		0-255	Intensity 0 to 100%
	2		DIMMER FINE
		0-255	FINE Intensity 0 to 100%
	3		STROBE
		0-31	LED OFF
		32-63	LED ON
		64-95	Strobe Effect SLOW to FAST
		96-127	LED ON
		128-159	Pulse Effect In Sequences
		160-191	LED ON
		192-223	Random Strobe Effect SLOW to FAST
		224-255	LED ON
	4		DIMMING CURVES
		0-20	STANDARD
		21-40	STAGE
		41-60	TV
		61-80	ARCHITECTURAL
		81-100	THEATRE
		101-255	Default to Unit Dimming Curve Setting

CLEANING AND MAINTENANCE



C A U T I O N

Disconnect power before cleaning or maintenance.

CLEANING

Frequent cleaning is recommended to insure proper function, optimized light output, and an extended life. The frequency of cleaning depends on the environment in which the fixture operates: damp, smoky or particularly dirty environments can cause greater accumulation of dirt on the fixture's optics.

- Clean the external lens surface at least every 20 days with a soft cloth to avoid dirt/debris accumulation.
- Never use alcohol, solvents, or ammonia based cleaners.

MAINTENANCE

Regular inspections are recommended to insure proper function and extended life. There are no user serviceable parts inside this fixture, please refer all other service issues to an authorized Elation service technician. Should you need any spare parts, please order genuine parts from your local Elation dealer.

Please refer to the following points during routine inspections:

- A detailed electric check by an approved electrical engineer every three months, to make sure the circuit contacts are in good condition and prevent overheating.
- Be sure all screws and fasteners are securely tightened at all times. Loose screws may fall out during normal operation resulting in damage or injury as larger parts could fall.
- Check for any deformations on the housing, color lenses, rigging hardware and rigging points (ceiling, suspension, trussing). Deformations in the housing could allow for dust to enter into the fixture. Damaged rigging points or unsecured rigging could cause the fixture to fall and seriously injure a person(s).
- Electric power supply cables must not show any damage, material fatigue or sediments. Never remove the ground prong from the power cable.

TECHNICAL SPECIFICATIONS

SOURCE

High Power Cool White LED
50,000 Hour Average LED Life*

*May vary depending on several factors including but not limited to:
Environmental Conditions, Power/Voltage, Usage Patterns (On-Off Cycling), Control, and Dimming.

EFFECTS

Electronic Strobe and Dimming
Variable Dimming Curve Modes

GOBOS

Supports "B" Size Metal, HT Transparency Gobos* (*Gobos and Holder not included)

CONTROL / CONNECTIONS

2 DMX Channel Modes (1 / 4)
Adjustable Refresh Rate (900-1500, 25,000 Hz)
Adjustable Gamma Brightness (2.0, 2.2, 2.4, 2.8)
4 Button Control Panel / LED Menu Display
3/5pin DMX In/Out / powerCON In/Out

SIZE / WEIGHT

Length: 24.3" (618mm)
Width: 12.2" (310mm)
Vertical Height: 15.7" (398mm)
Weight: 21.0 lbs. (9.5 kg)

ELECTRICAL / THERMAL

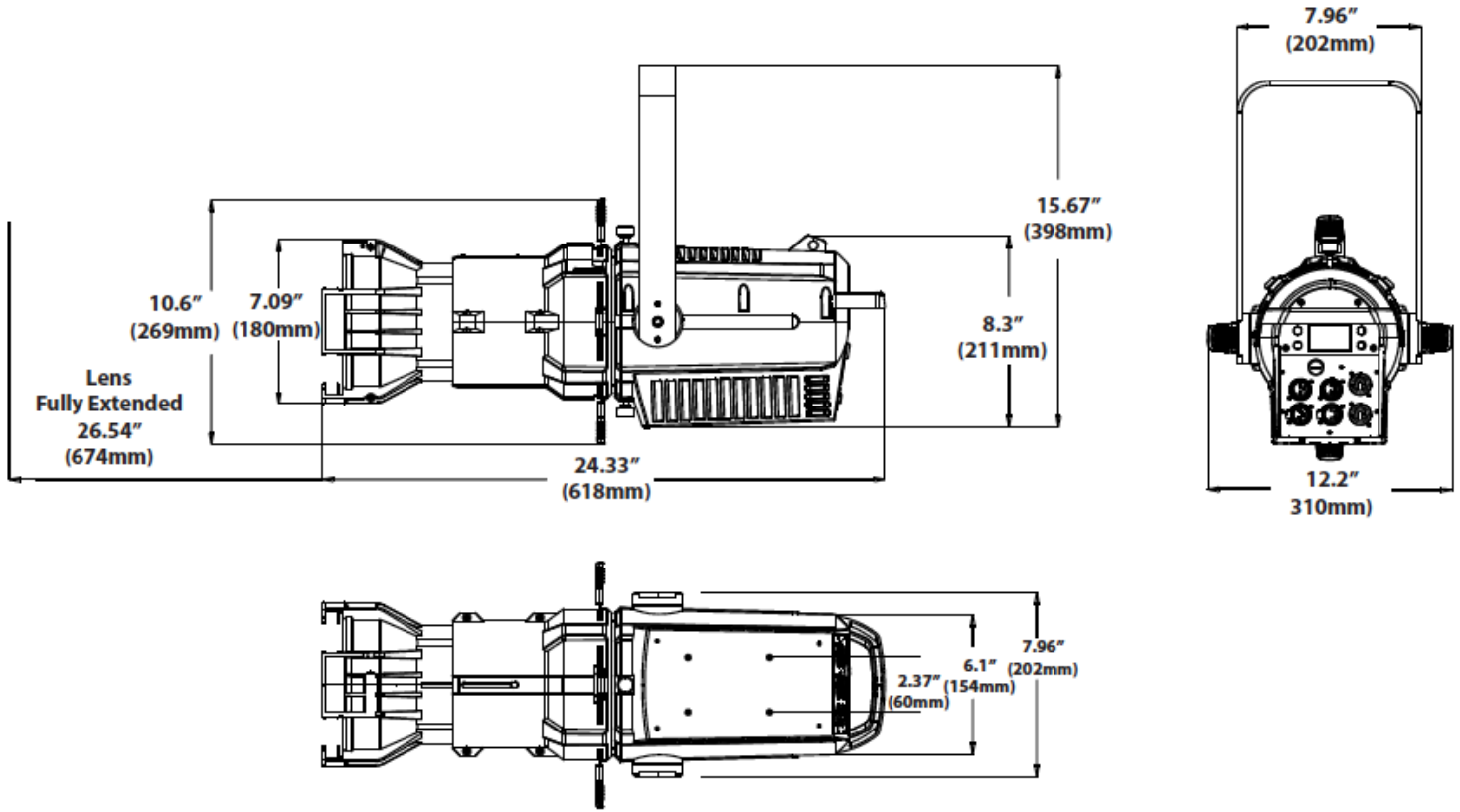
AC 100-240V - 50/60Hz
170W Max Power Consumption
14°F to 113°F (-10°C to 45°C)

APPROVALS / RATINGS



Please Note: Specifications and improvements in the design of this unit and this manual are subject to change without any prior written notice.

DIMENSIONAL DRAWINGS



Please Note: Specifications and improvements in the design of this unit and this manual are subject to change without any prior written notice.

OPTIONAL ACCESSORIES

ORDER CODE	ITEM
QUICK RIG CLAMP	Low Profile Quick Release Clamp
PHD019	Profile High Definition Lens 19°
PHD126	Profile High Definition Lens 26°
PHD236	Profile High Definition Lens 36°
PHD350	Profile High Definition Lens 50°
AC3PDMX5PRO	5 ft. (1.5m) 3pin PRO DMX Cable
AC5PDMX5PRO	5 ft. (1.5m) 5pin PRO DMX Cable
NEU088	3 ft. (1m) powerCON TRUE1 Power Link Cable
	Additional Cable Lengths Available

