

REVISION HISTORY					
SCH REV	PCB REV	ECO NO.	DATE	COMMENT	
3.1	3.1	7030	07/29/97	INITIAL	
3.1.4	3.1	8611	6/10/99	BOM CHANGE	
3.1.5	3.1	8657	7/26/99	BOM CHANGE	
3.1.8	3.1	1802	08/14/05	DRAWING CHANGE - LEAD BEND ON T0220	
3.1.9	3.1	1851	11/03/05	BOM CHANGE - IC11 TO PROGRAMMED PART	

NOTES:

- UNLESS OTHERWISE SPECIFIED:
1. ALL RESISTOR VALUES ARE IN OHMS
 2. ALL RESISTORS ARE 1/4 WATT 5% OR BETTER
 3. CAPACITOR VALUES ARE IN PICO FARADS
 4. ALL NON POLARIZED CAPACITORS ARE 50V OR BETTER
VALUES BELOW 470pF ARE NPO/COG TYPE 5%
VALUES 470pF TO 1000pF ARE X7R 10%
VALUES ABOVE 1000pF ARE Z5U +/- 20%
 5. ALL POLARIZED CAPACITORS ARE 20% OR BETTER
 6. ALL DIODES ARE 1N4148

**PRODUCTION
PRINT**

High End Systems

11/4/2005

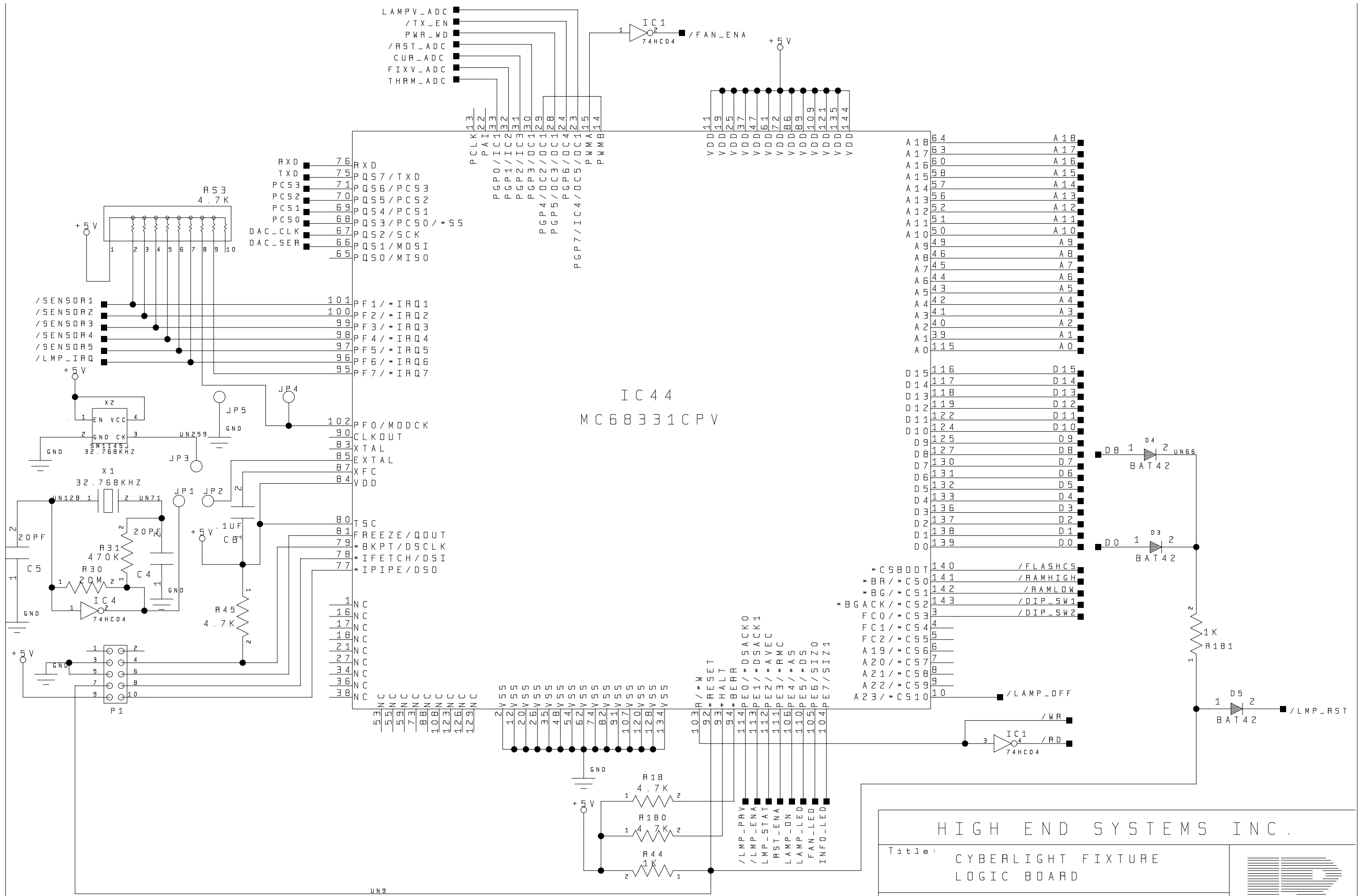
Issued By: Lee Fredrickson

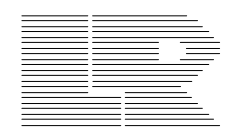
CYBERLIGHT LOGIC BOARD

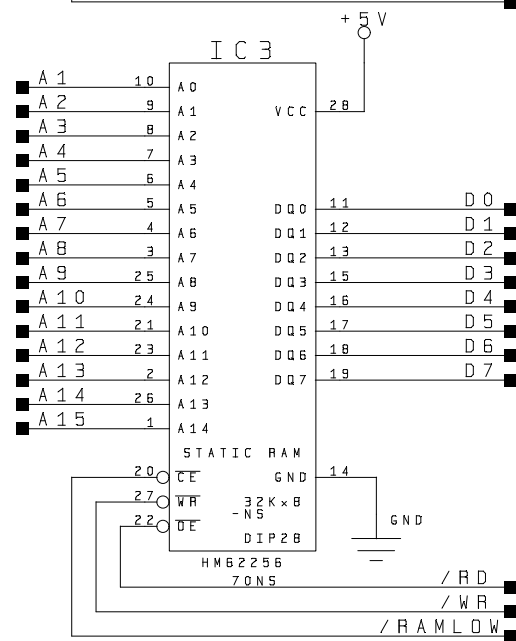
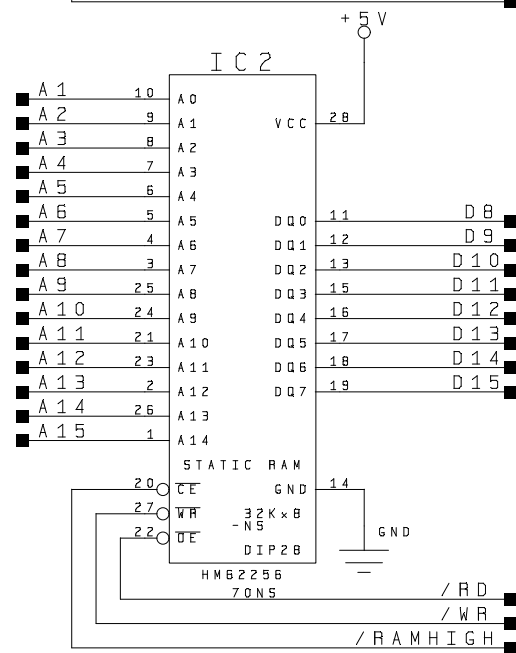
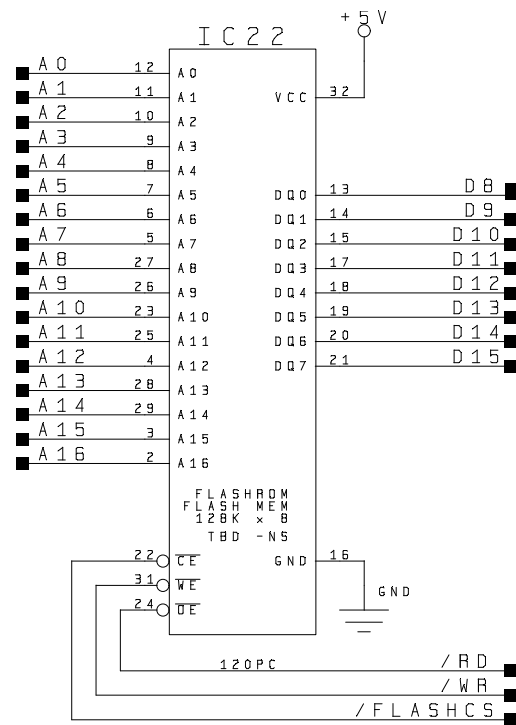
Copyright (c) 1994-1999 High End Systems, Inc. All rights reserved worldwide.

Cyberlight, Lightwave Research, the Lightwave Research logo, High End Systems and the High End Systems logo are registered trademarks of High End Systems, Inc. Trademarks and trade names of others may be used in this document to refer to either such other entities or to their products. High End Systems Inc. disclaims any proprietary interest or connection to such marks or entities.

HIGH END SYSTEMS INC.			
Title:		CYBERLIGHT FIXTURE LOGIC BOARD	
Function:		COVER SHEET 80R319	
Drawing No.	REV.	Designed:	
80010068	3.1.9	STEVE TULK	
Drawn:		Approved:	
DERRICK RIVERS			
Date 11-3-2005-16:55	Size A2	Page	1 of 13



HIGH END SYSTEMS INC.			
Title: CYBERLIGHT FIXTURE LOGIC BOARD			
Function: CPU (68331)		80R319	
Drawing No. 80010068	REV. 3.1.9	Size A2	Date 11-3-2005-16:56 Page 2 of 13



HIGH END SYSTEMS INC.

Title: CYBERLIGHT FIXTURE
LOGIC BOARD



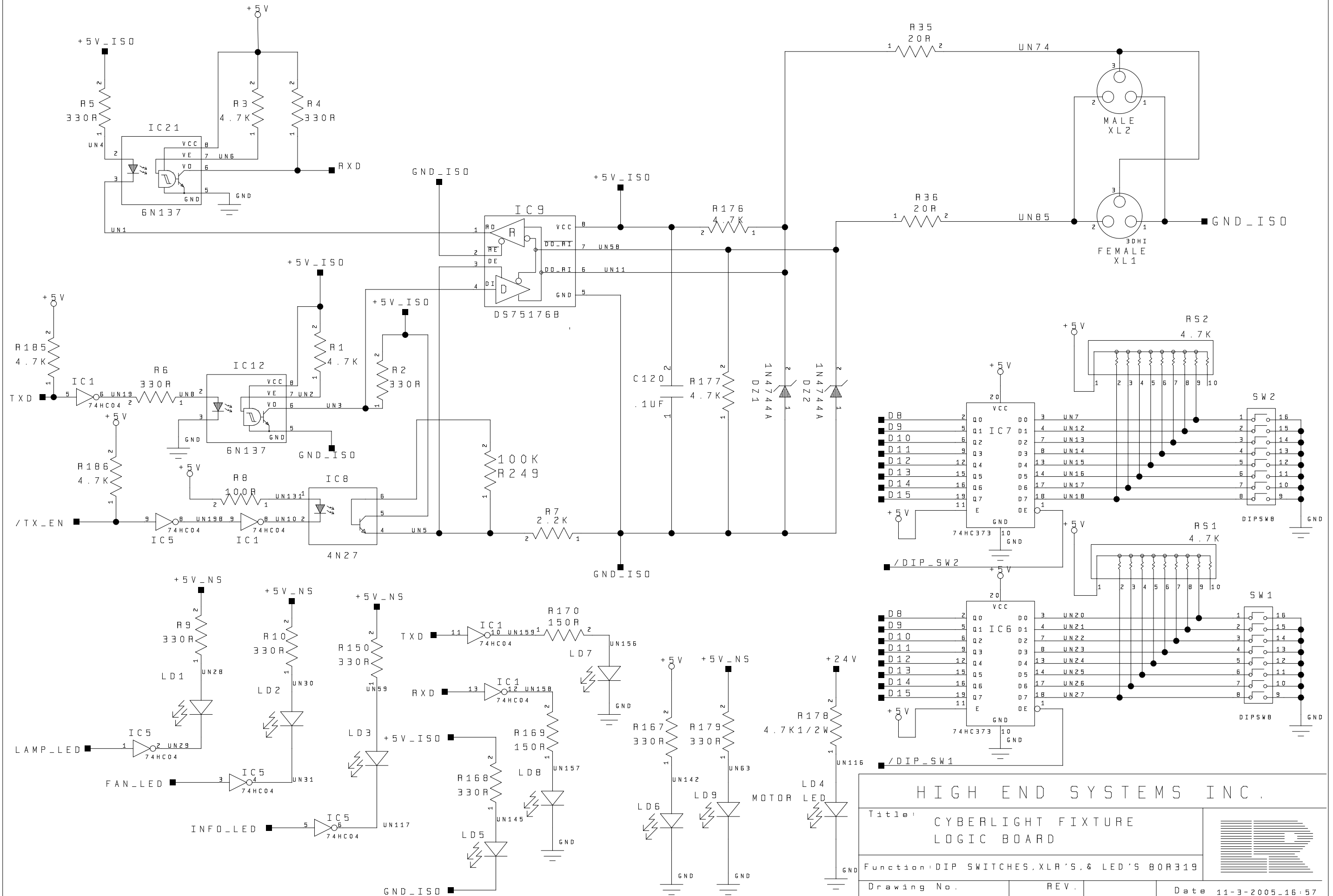
Function: MEMORY FLASHROM & RAM 80R319

Drawing No. 80010068

REV. 3.1.9

Size A2

Date 11-3-2005_16:56
Page 3 of 13

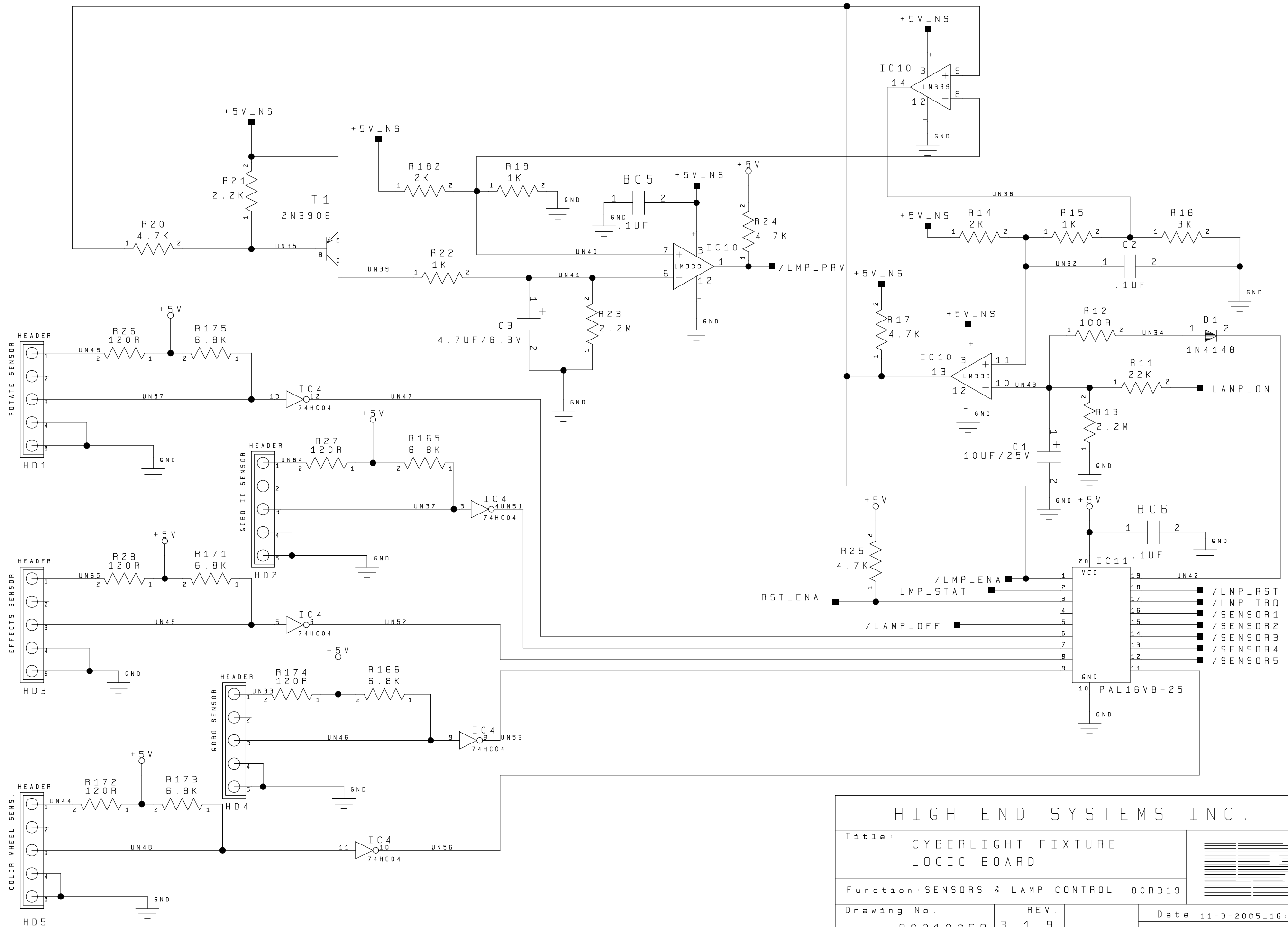


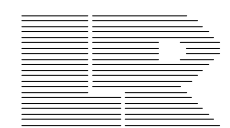
HIGH END SYSTEMS INC.

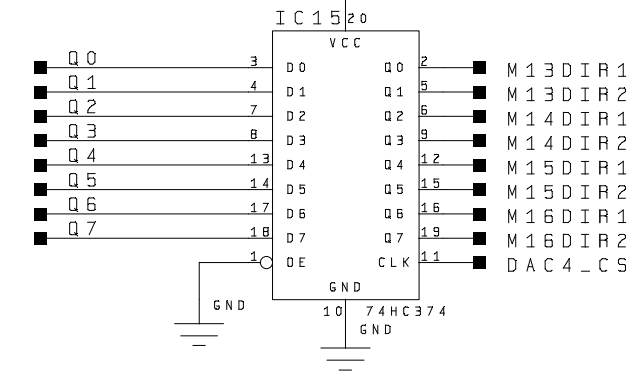
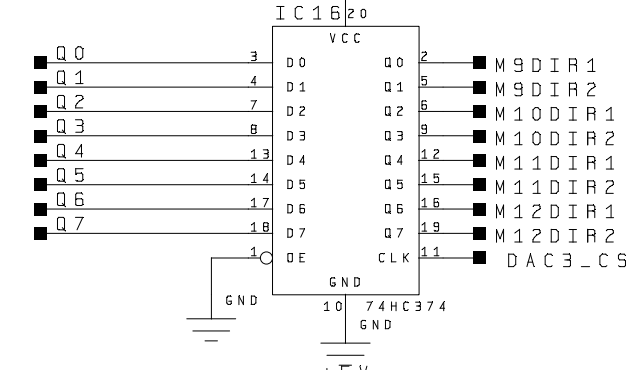
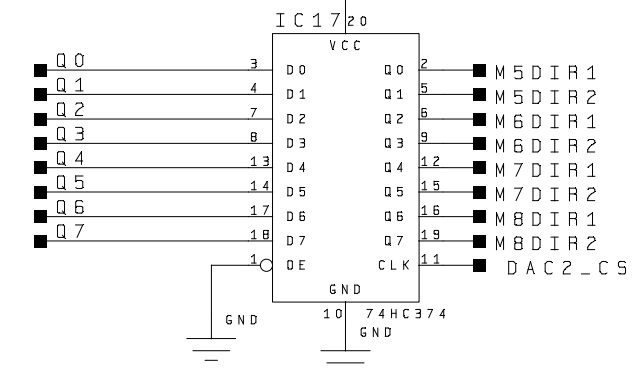
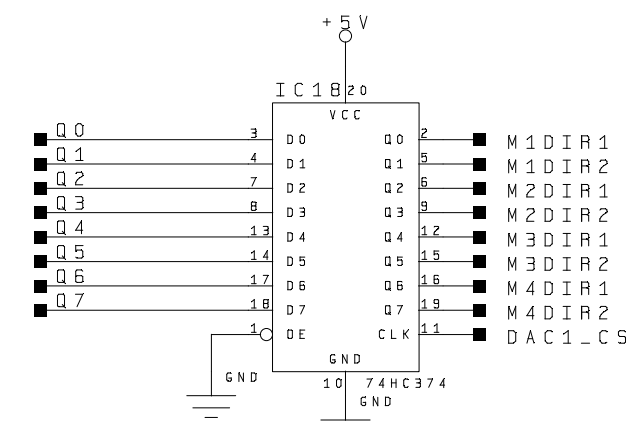
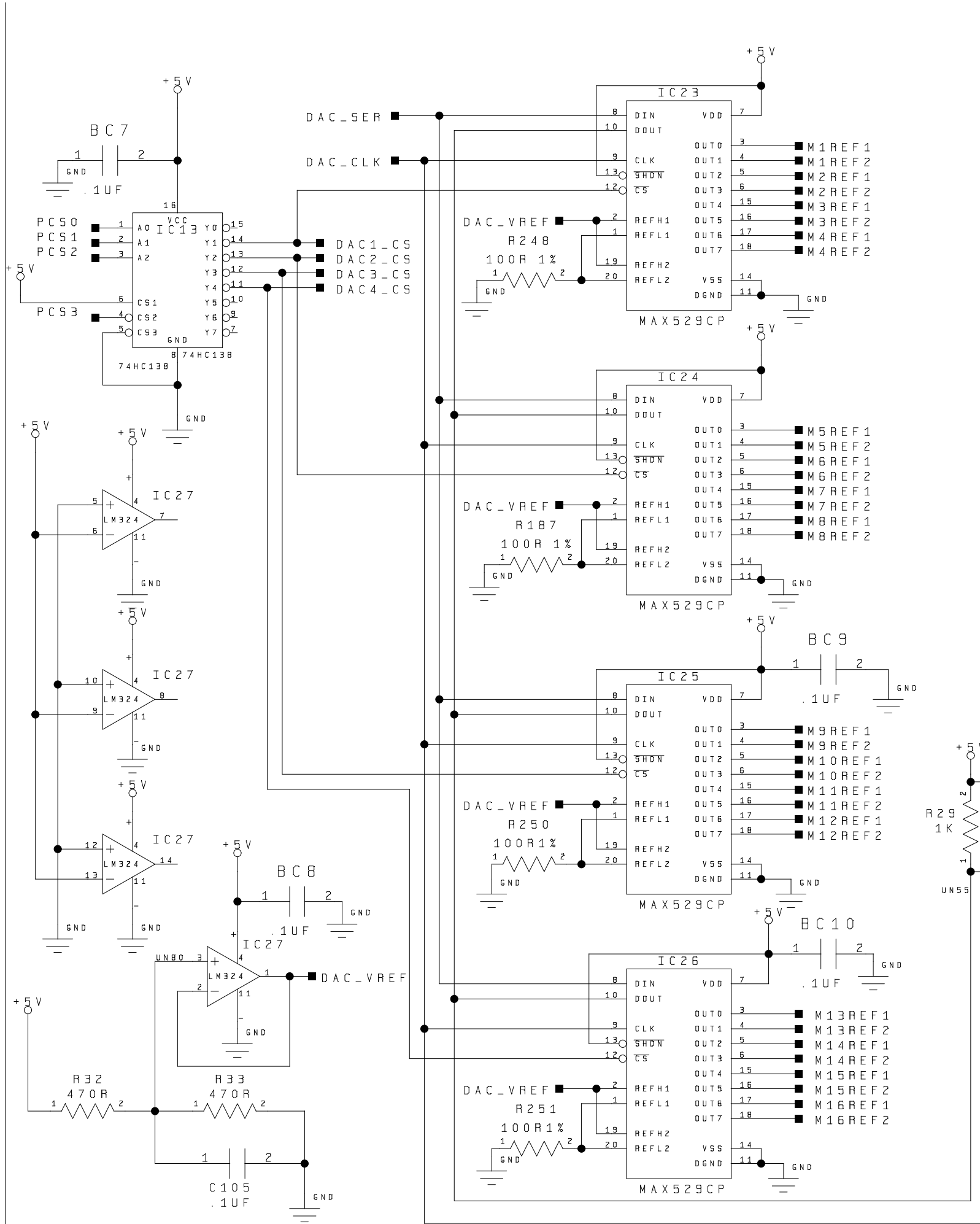
Title: CYBERLIGHT FIXTURE LOGIC BOARD

Function: DIP SWITCHES, XLR'S & LED'S BOARD

Drawing No.	REV.	Date	Page
80010068	3.1.5	11-3-2005-16:57	4 of 13



HIGH END SYSTEMS INC.			
Title: CYBERLIGHT FIXTURE LOGIC BOARD			
Function: SENSORS & LAMP CONTROL 80R319			
Drawing No. 80010068	REV. 3.1.9	Size A2	Date 11-3-2005-16:57 Page 5 of 13

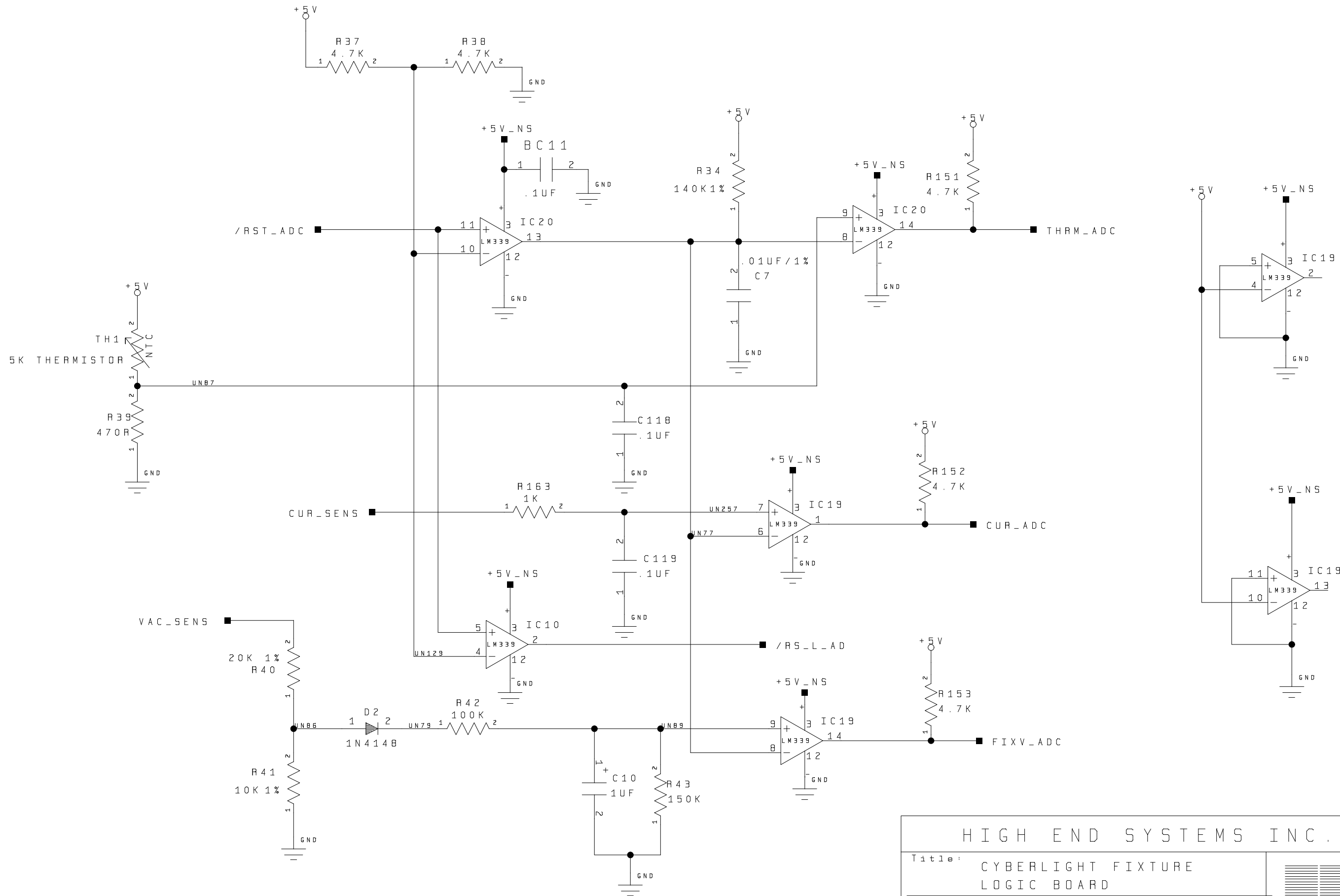


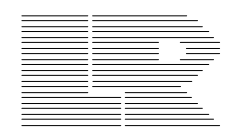
HIGH END SYSTEMS INC.

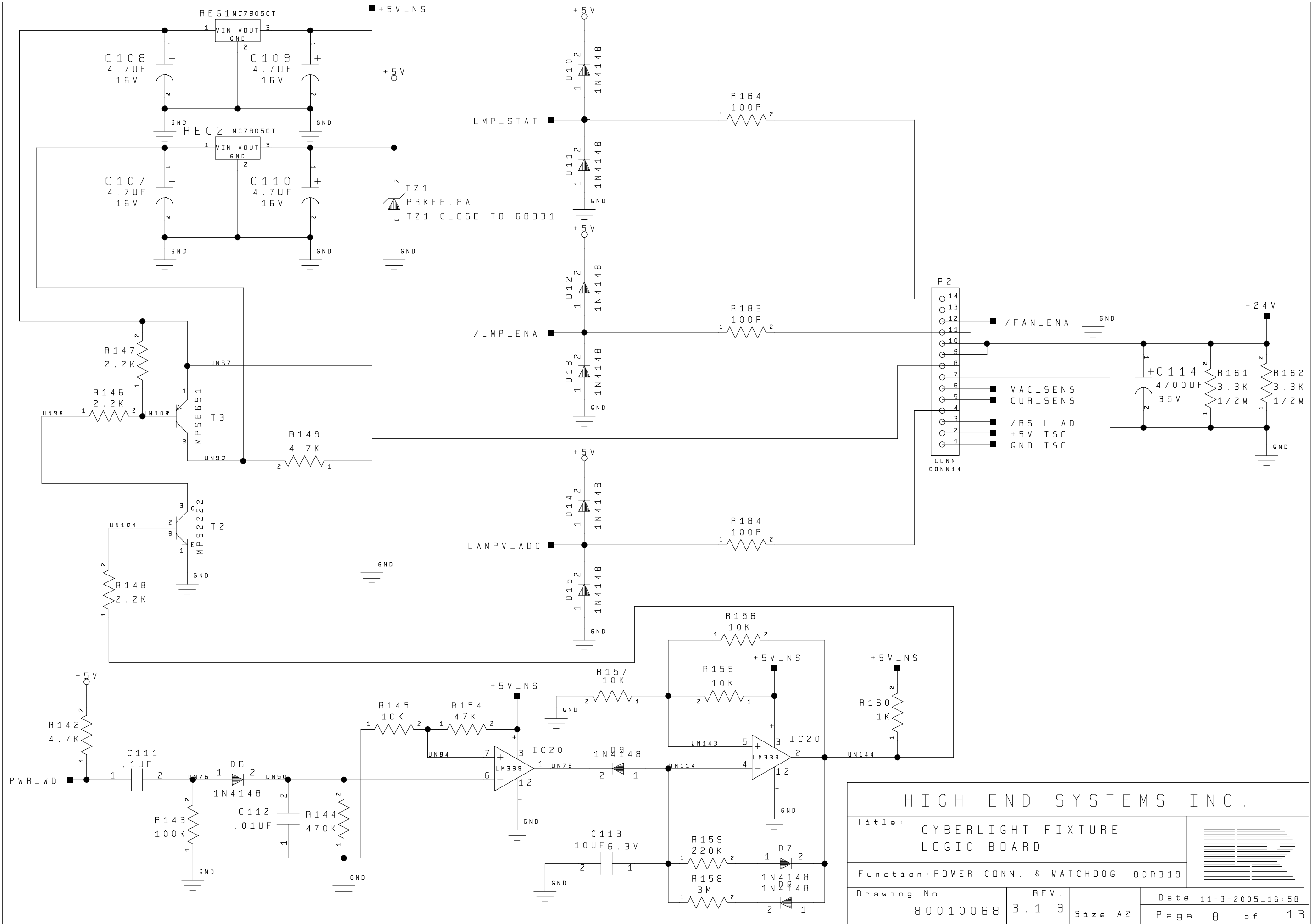
Title: **CYBERLIGHT FIXTURE LOGIC BOARD**

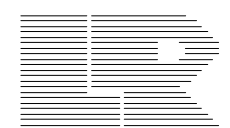
Function: **D TO A CONVERTERS** **BOR319**

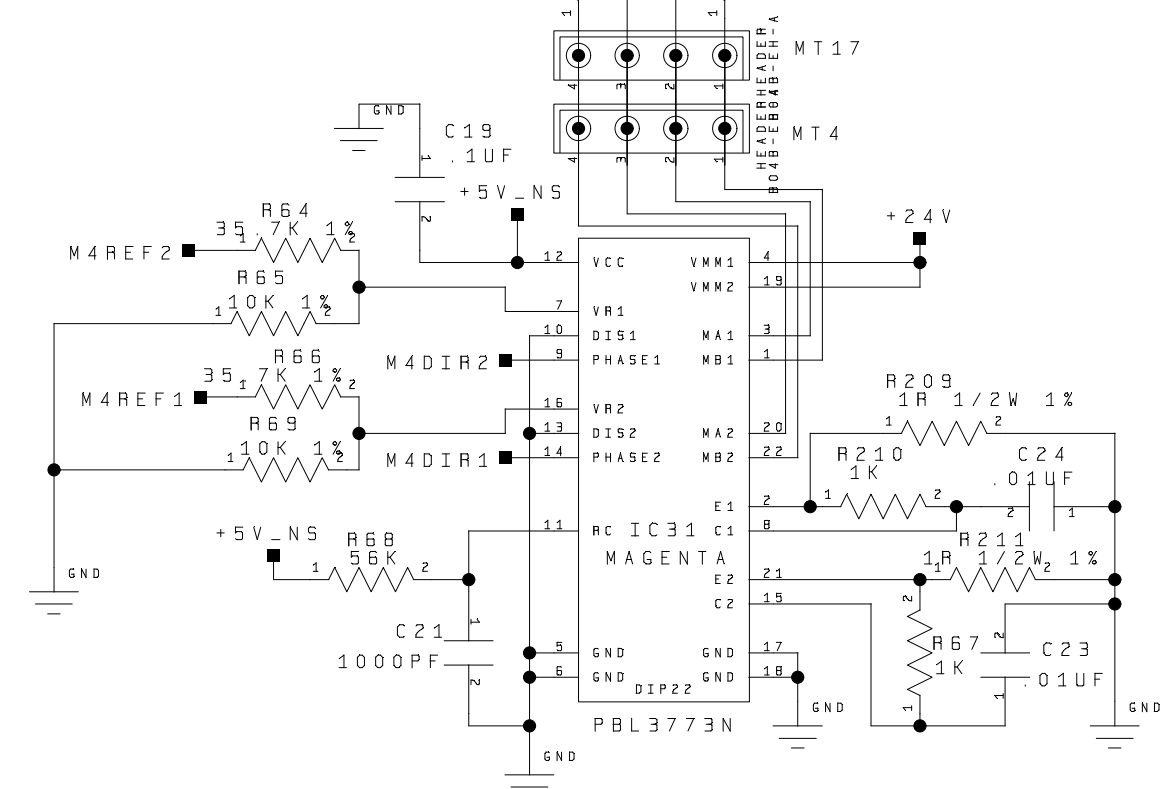
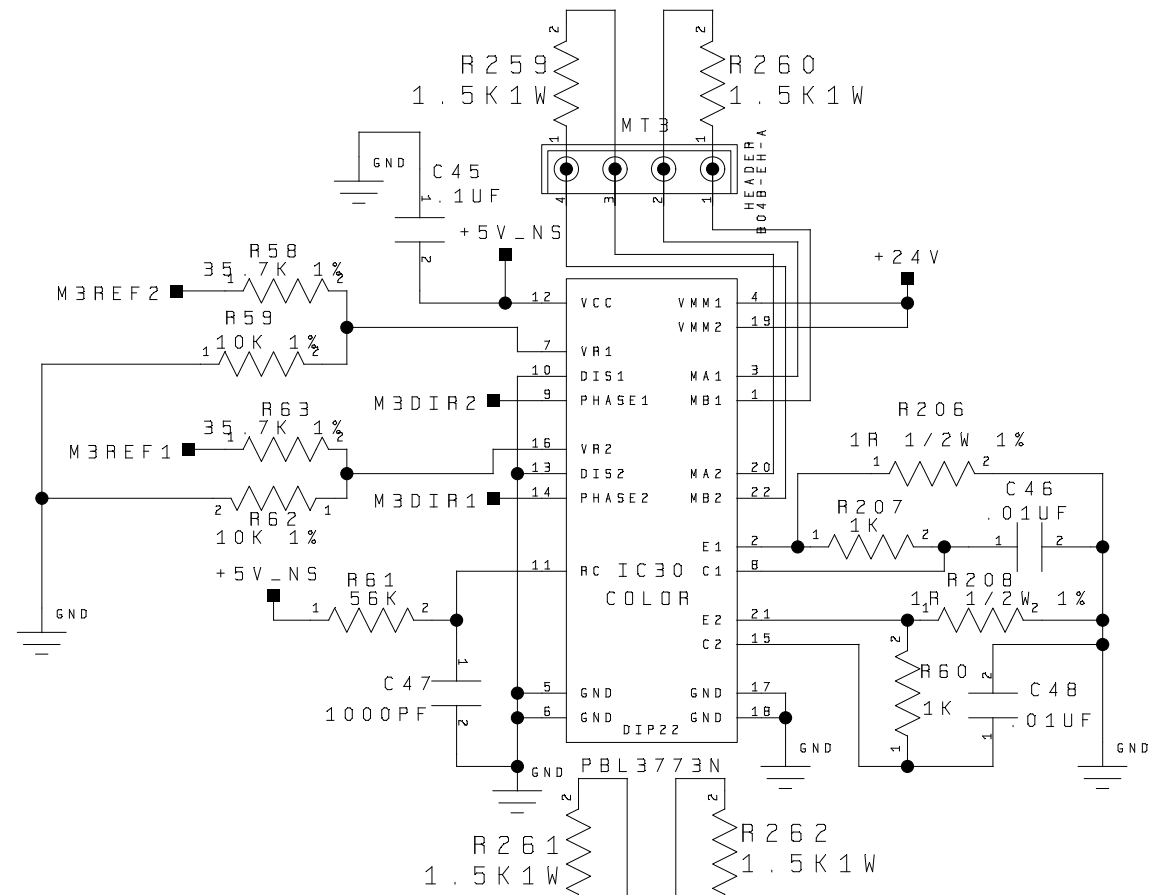
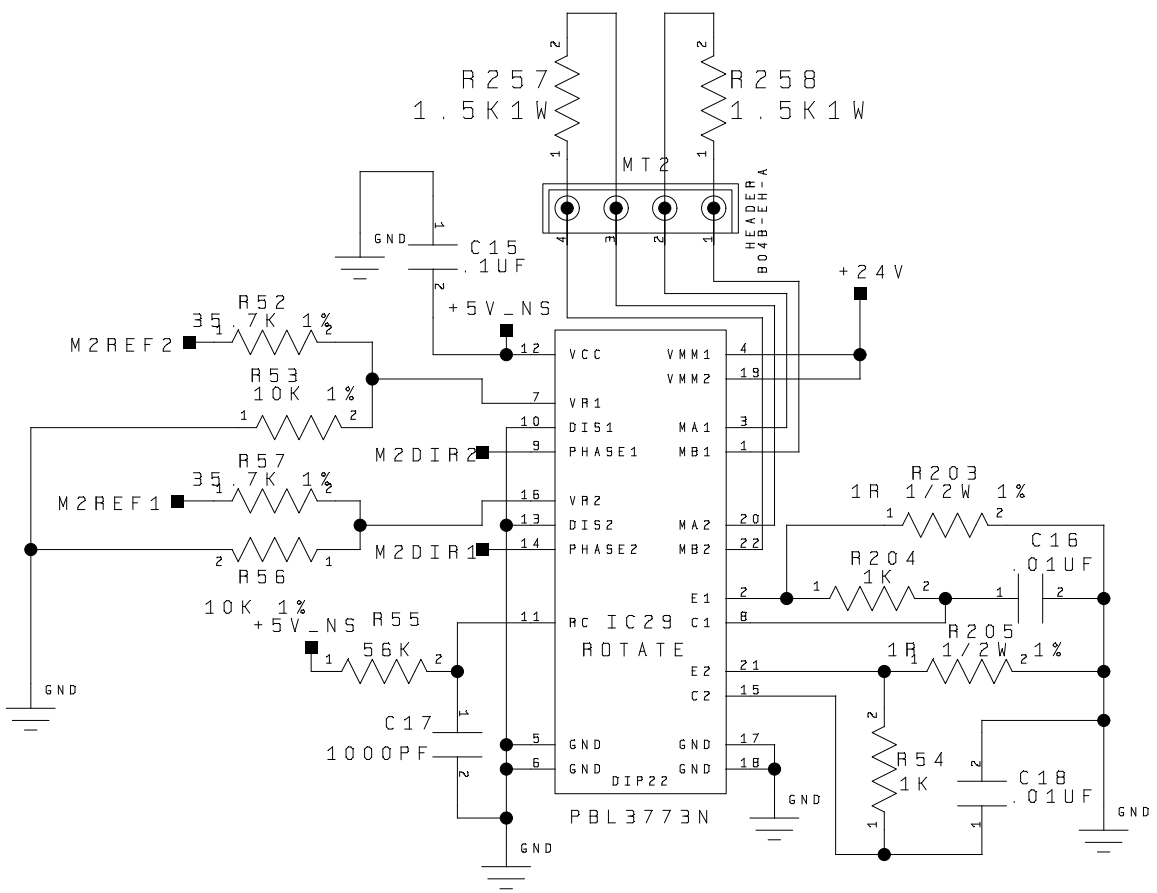
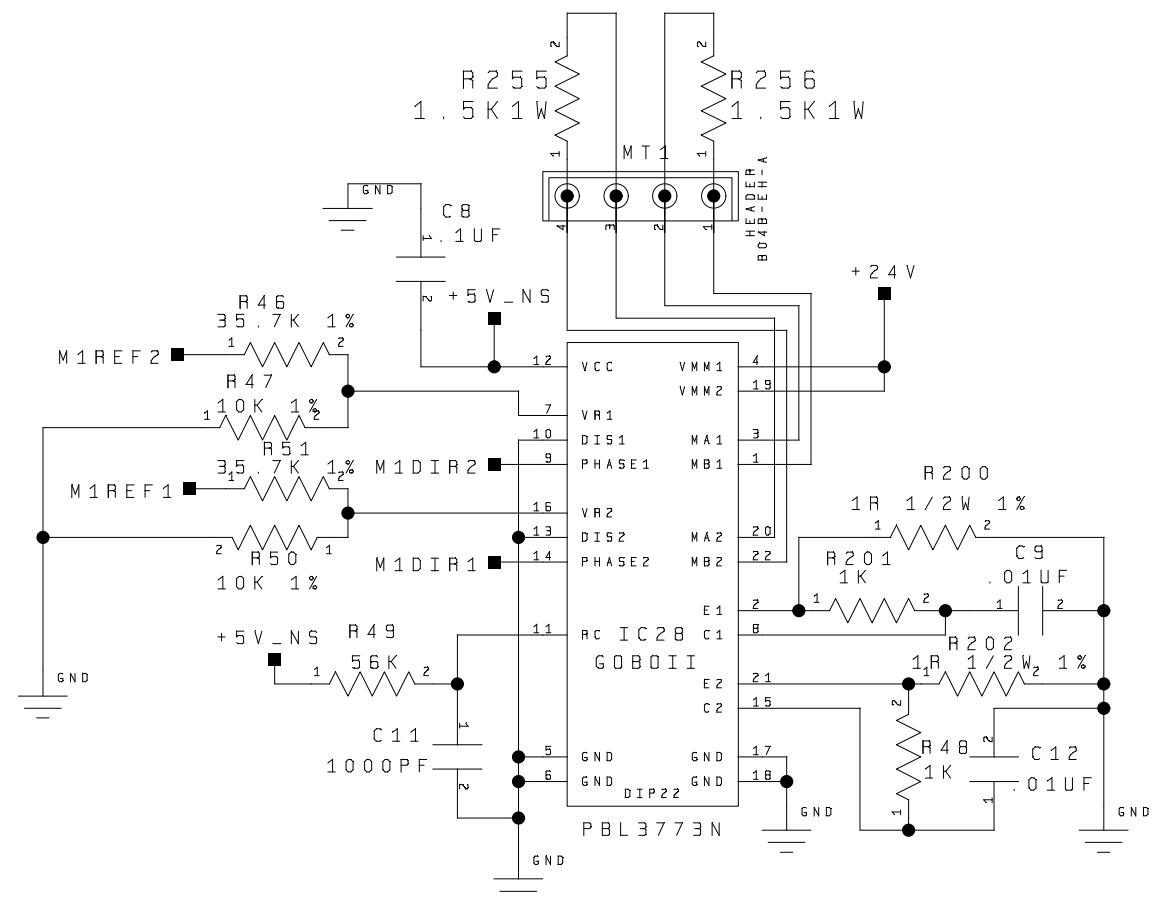
Drawing No. 80010068	REV. 3.1.9	Size A2	Date 11-3-2005-16:57
			Page 6 of 13

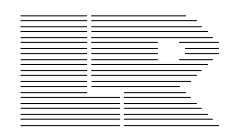


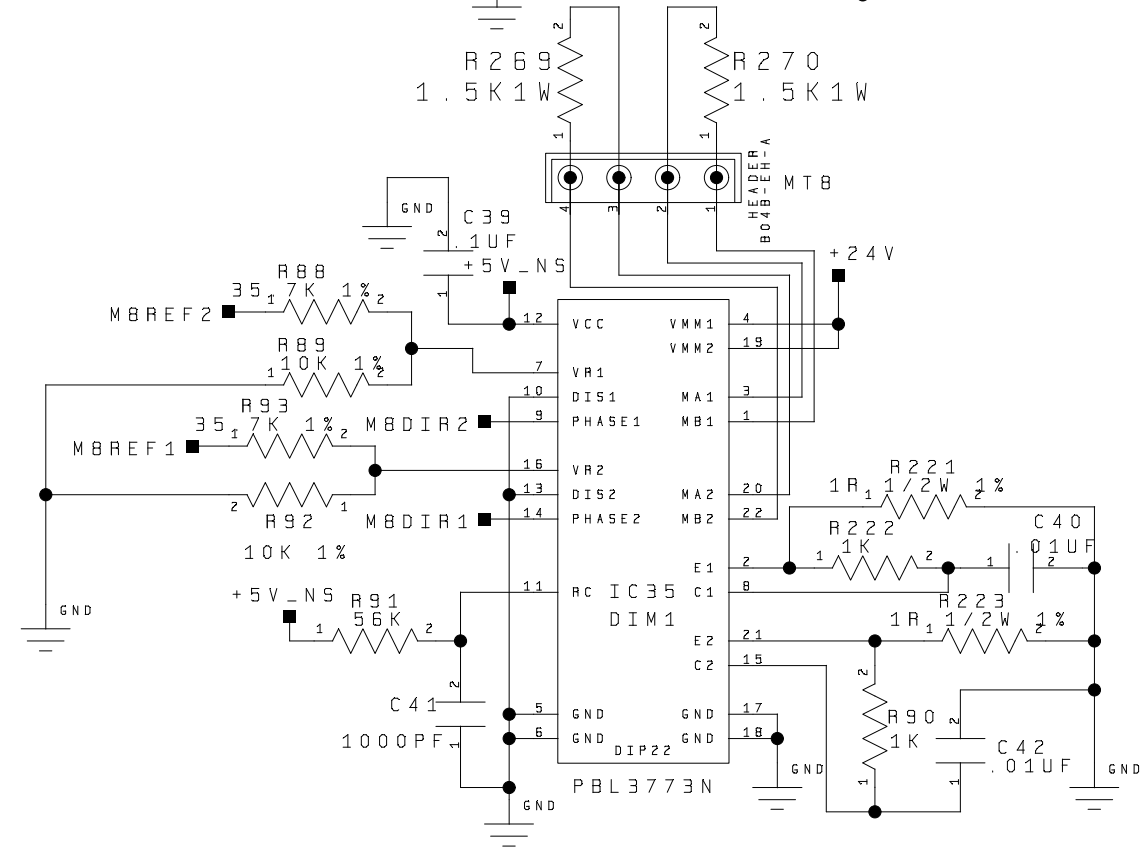
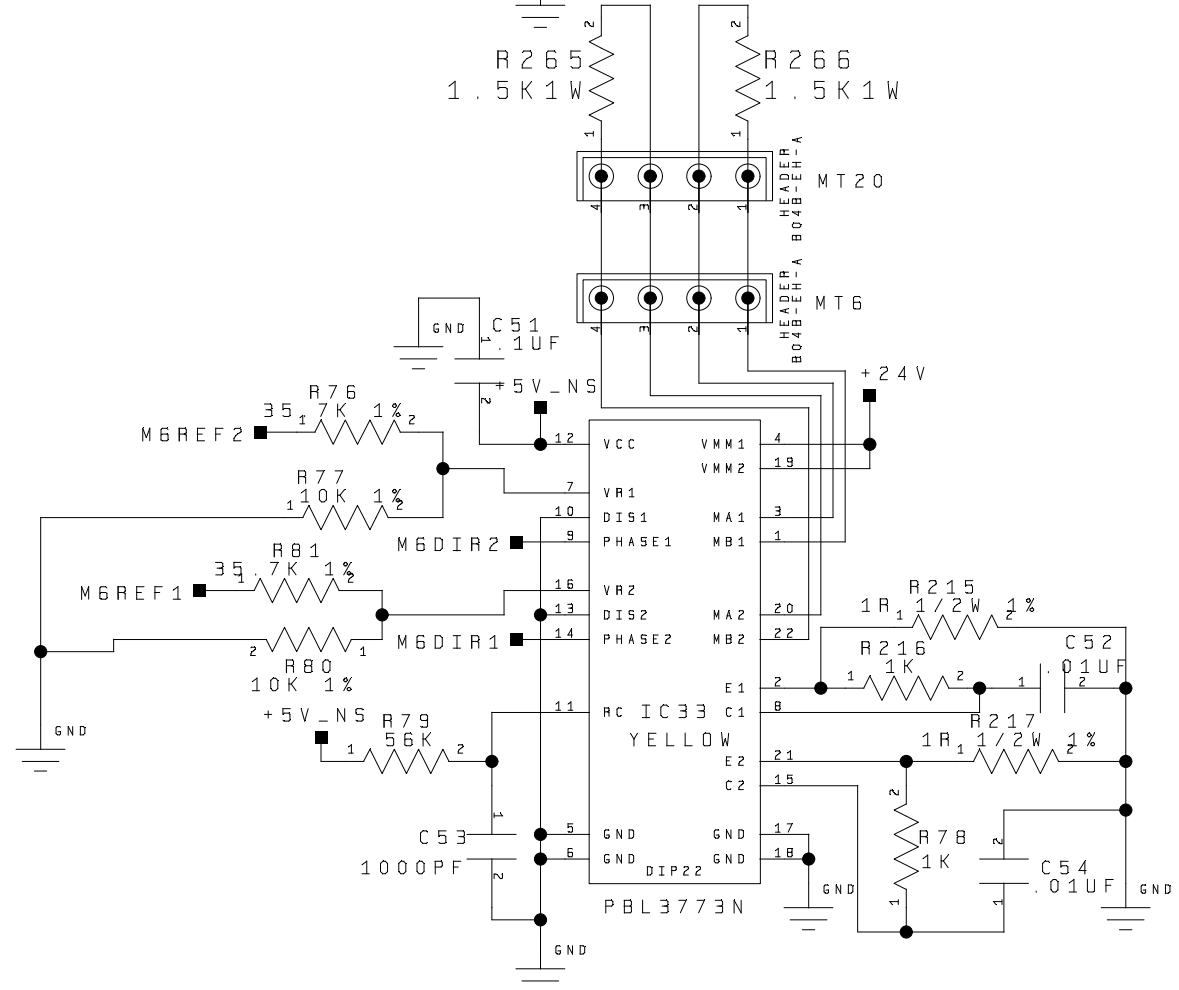
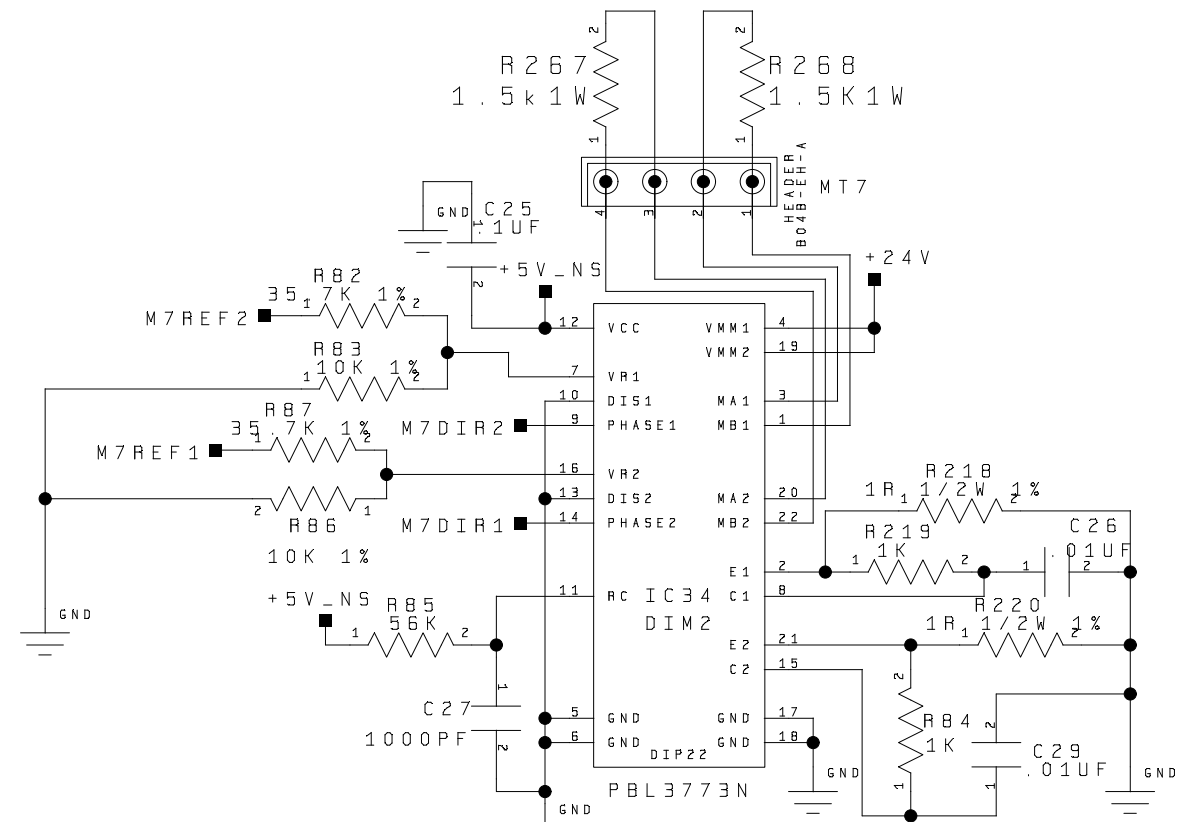
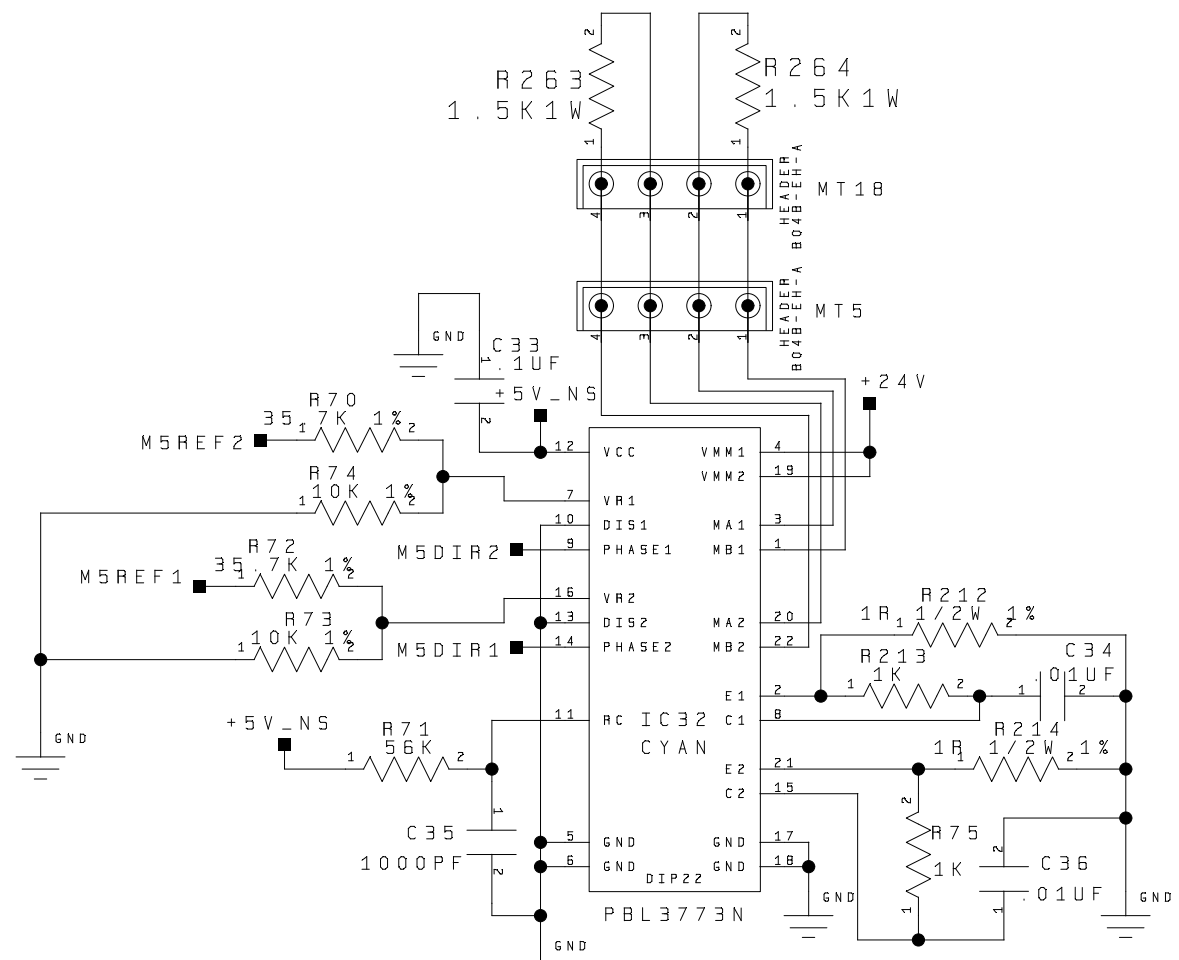
HIGH END SYSTEMS INC.			
Title: CYBERLIGHT FIXTURE LOGIC BOARD			
Function: FUNCTION-A TO D CONVERTERS 80R319			
Drawing No. 80010068	REV. 3.1.9	Size A2	Date 11-3-2005_16:58 Page 7 of 13

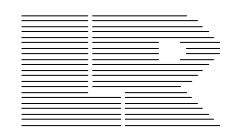


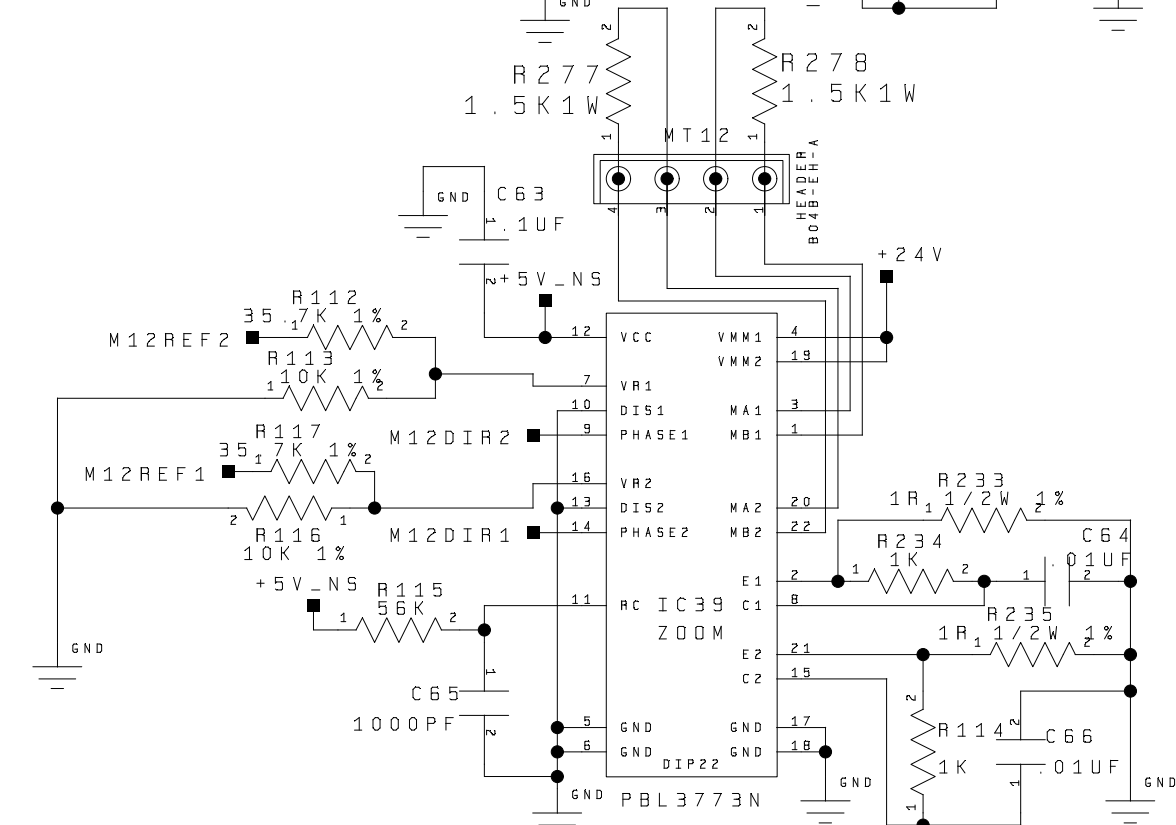
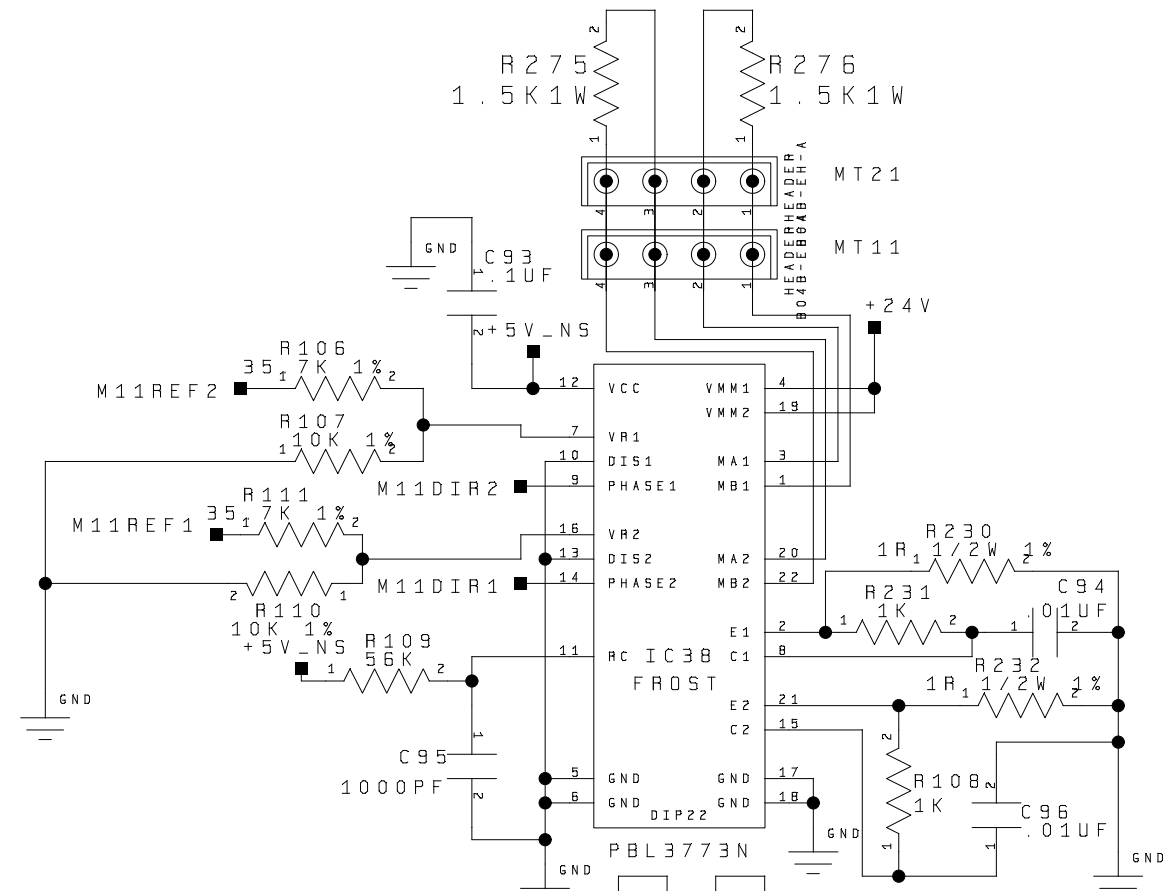
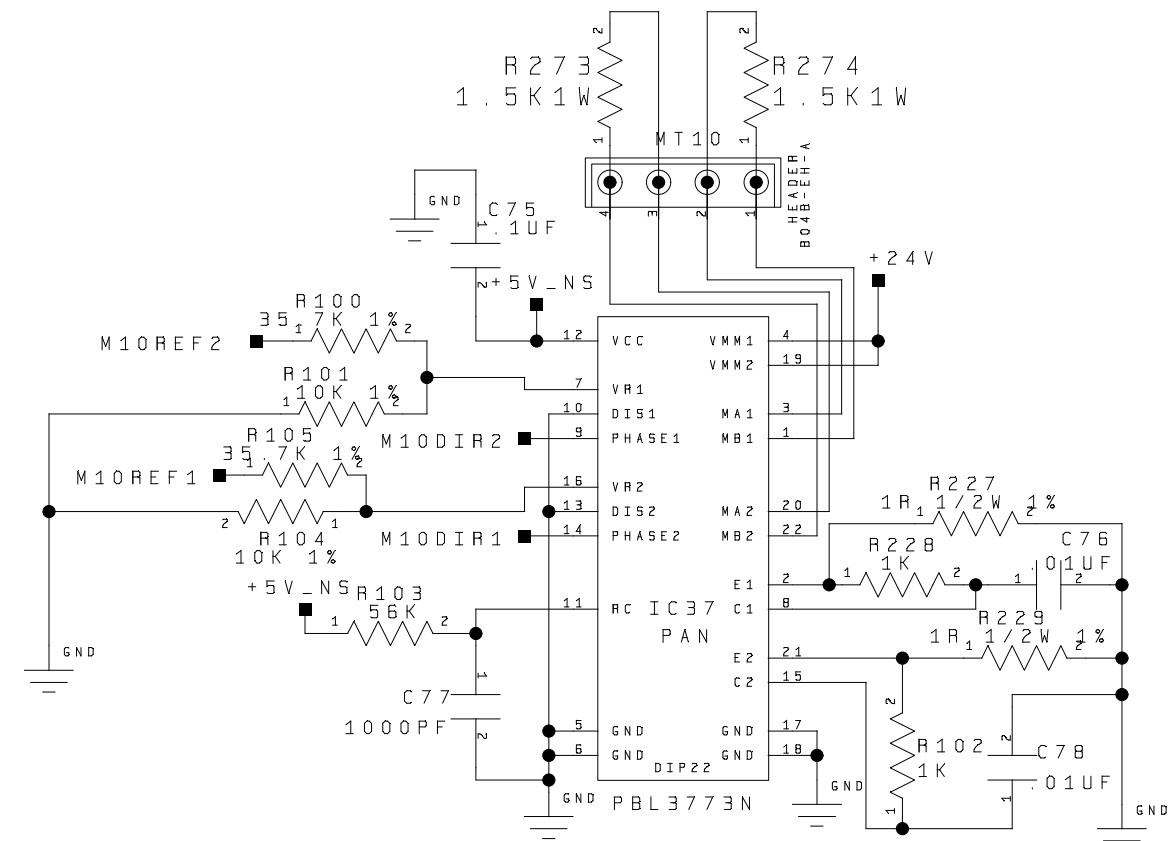
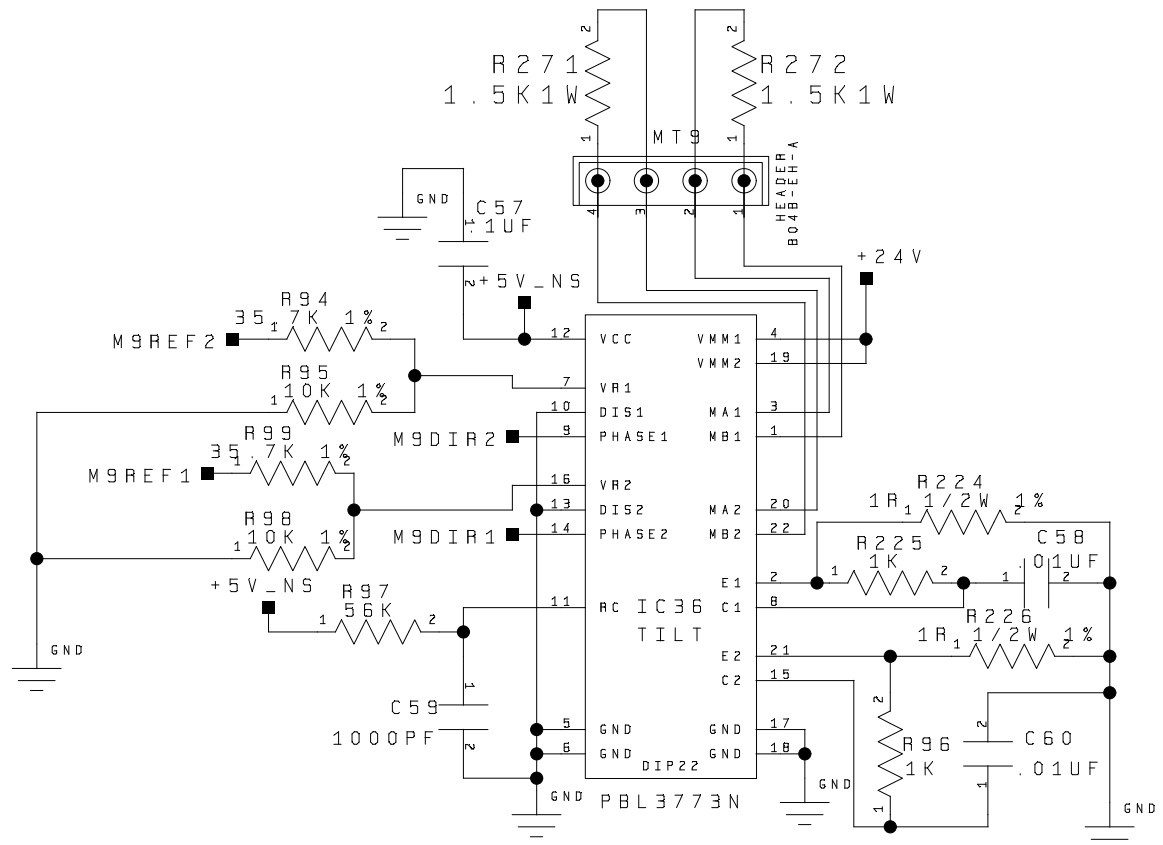
HIGH END SYSTEMS INC.			
Title: CYBERLIGHT FIXTURE LOGIC BOARD			
Function: POWER CONN. & WATCHDOG 80R319			
Drawing No. 80010068	REV. 3.1.9	Size A2	Date 11-3-2005_16:58 Page 8 of 13



HIGH END SYSTEMS INC.			
Title: CYBERLIGHT FIXTURE LOGIC BOARD			
Function: 3773 MOTOR DRIVERS		80R319	
Drawing No. 80010068	REV. 3.1.9	Size A2	Date 11-3-2005_16:58
			Page 9 of 13



HIGH END SYSTEMS INC.			
Title: CYBERLIGHT FIXTURE LOGIC BOARD			
Function: 3773 MOTOR DRIVERS		80R319	
Drawing No. 80010068	REV. 3.1.9	Size A2	Date 11-3-2005-16:59
			Page 10 of 13



HIGH END SYSTEMS INC.

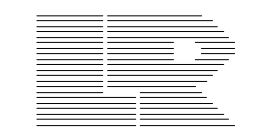
Title: CYBERLIGHT FIXTURE
LOGIC BOARD

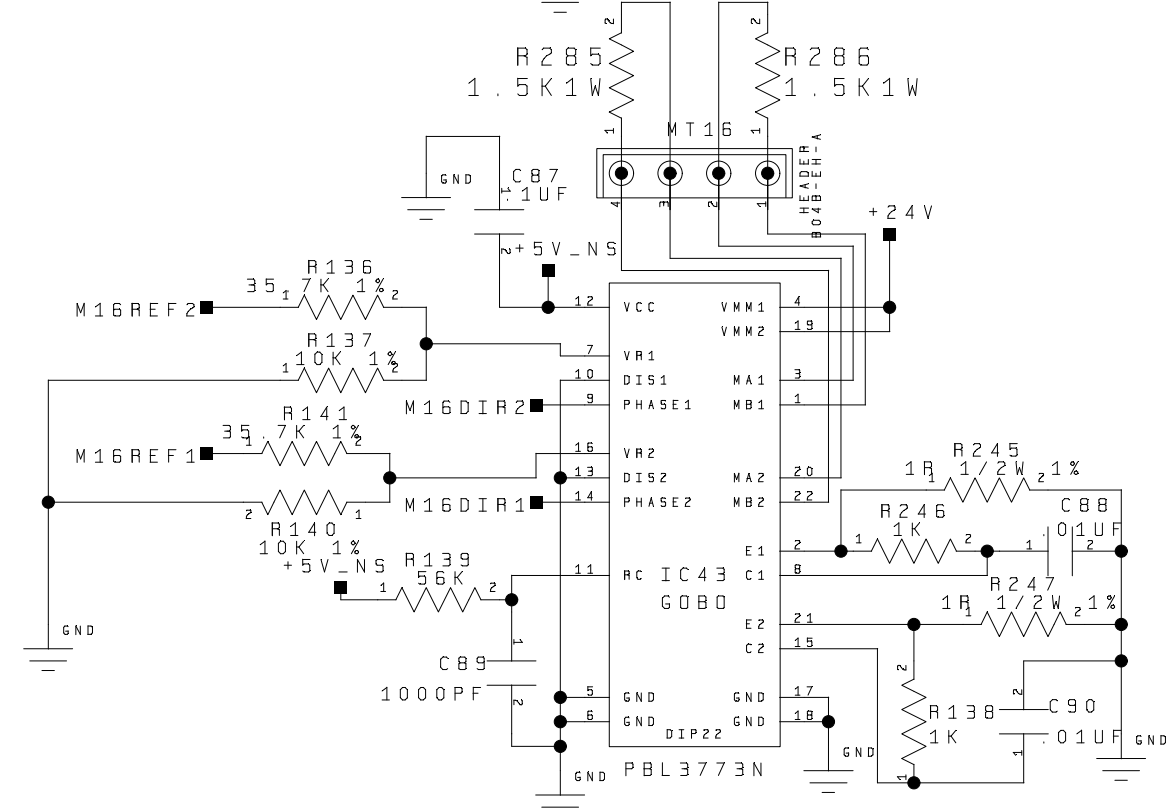
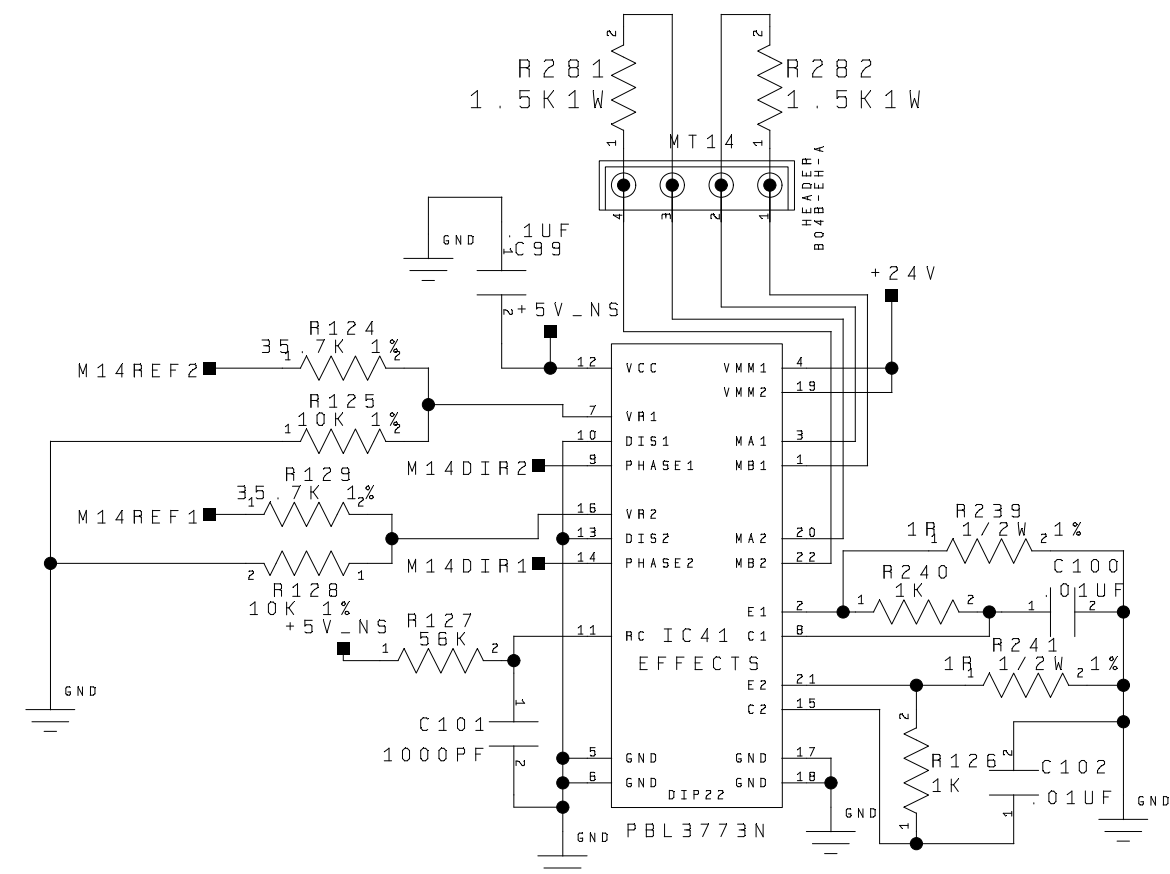
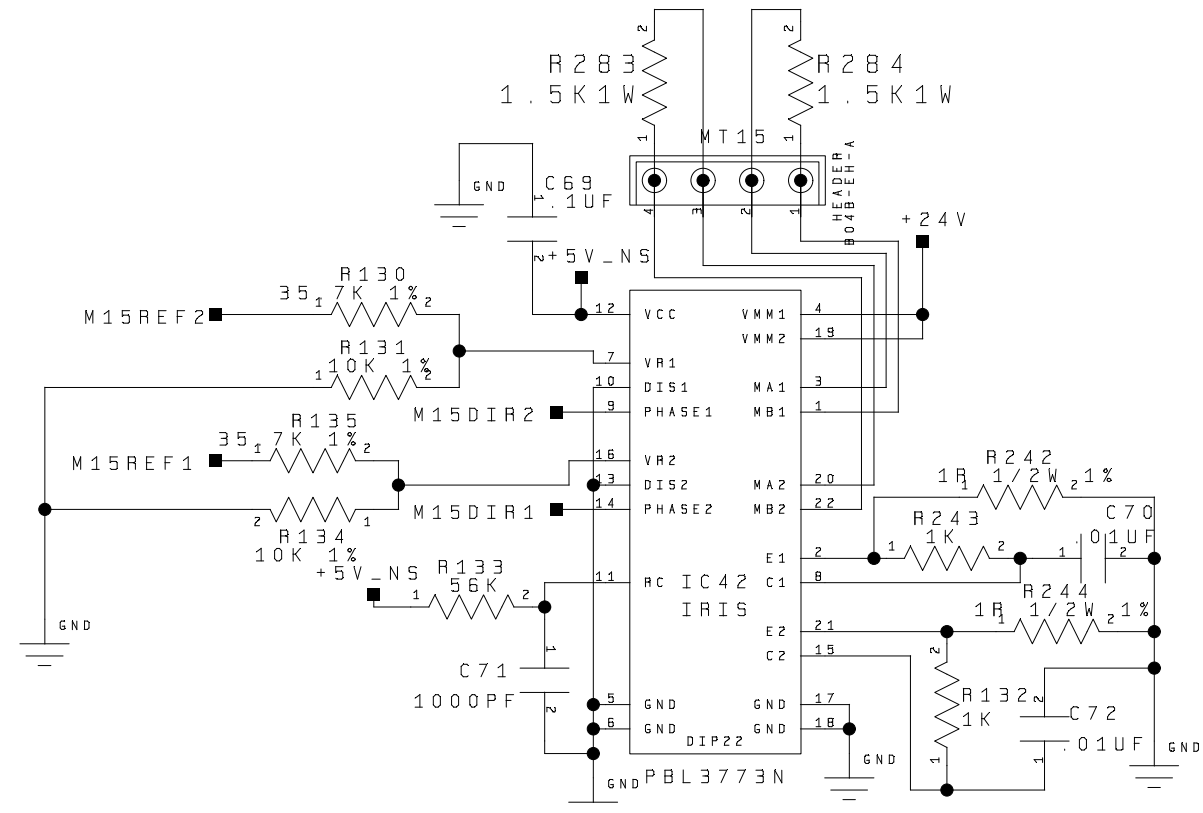
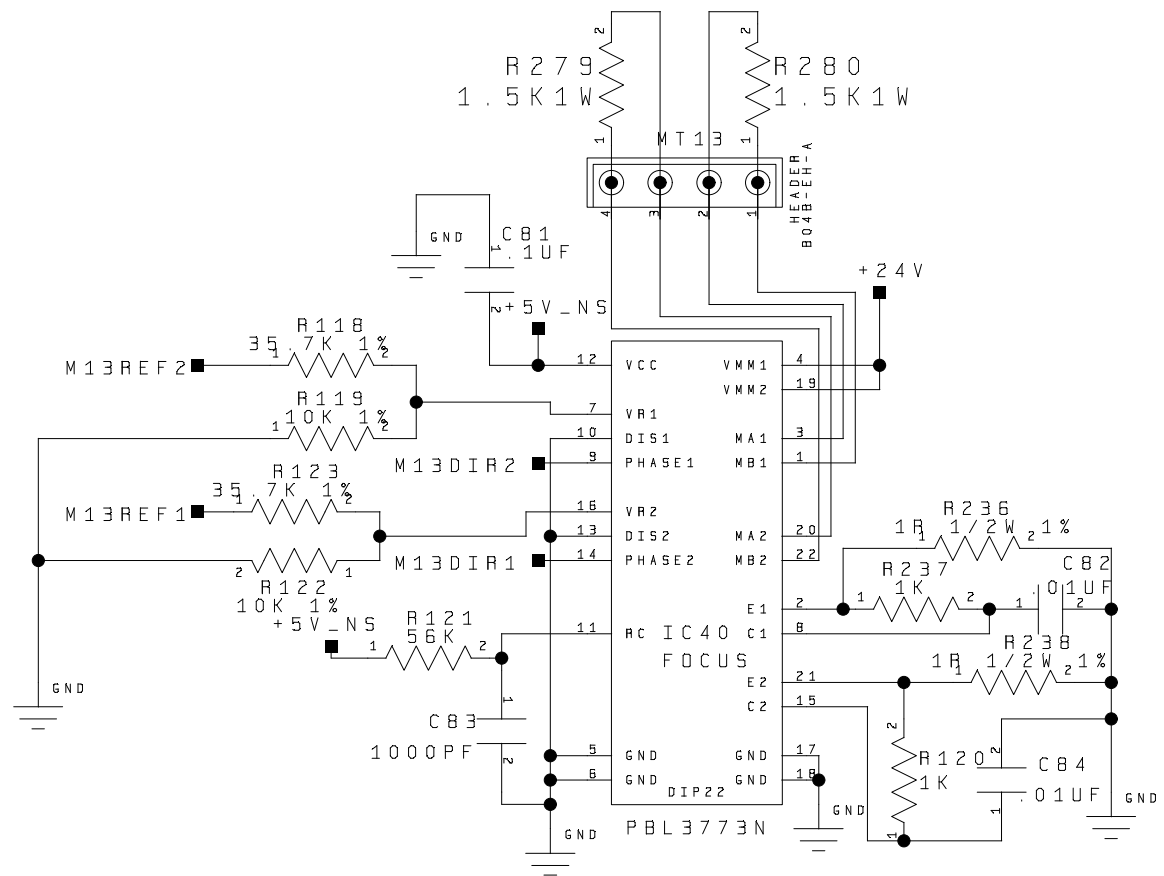
Function: 3773 MOTOR DRIVERS 80R319

Drawing No. 80010068

REV. 3.1.9

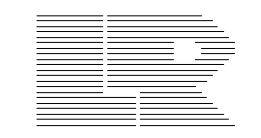
Date 11-3-2005_16:59
Page 11 of 13





HIGH END SYSTEMS INC.

Title: CYBERLIGHT FIXTURE
LOGIC BOARD

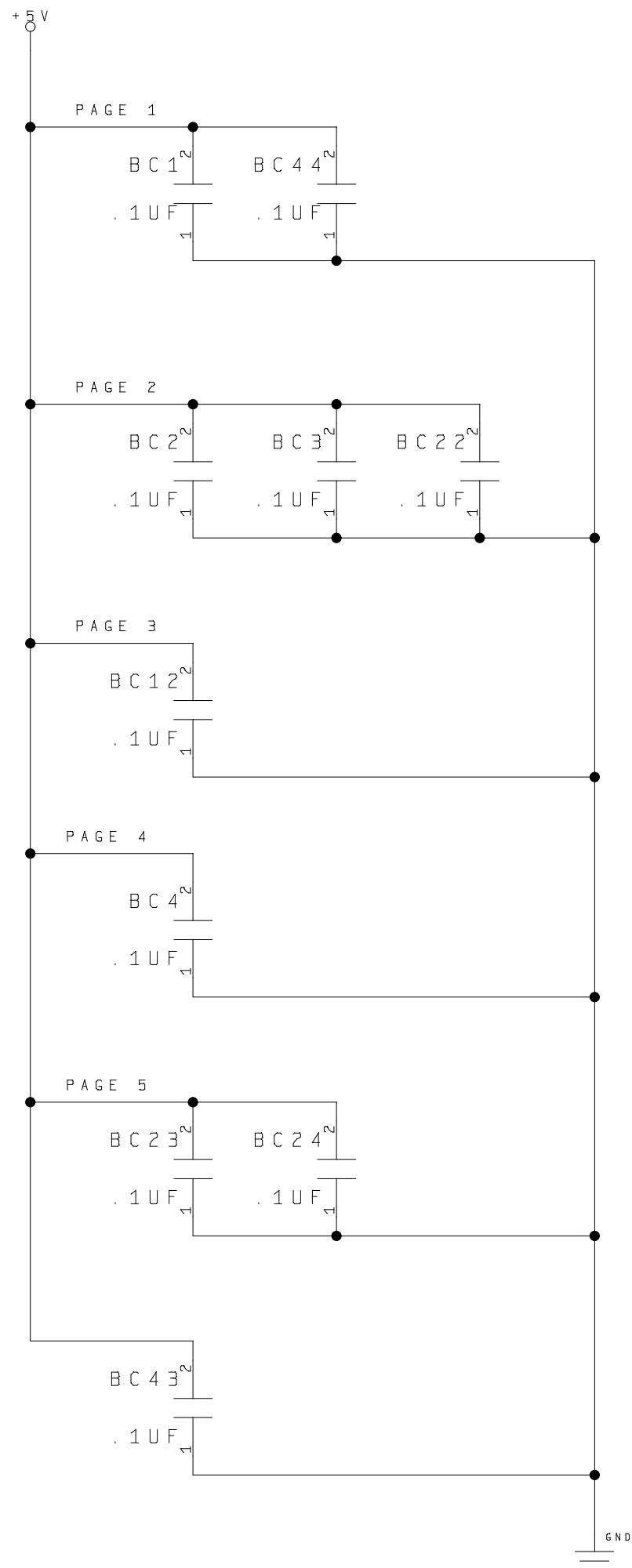


Function: 3773 MOTOR DRIVERS 80R319

Drawing No. 80010068

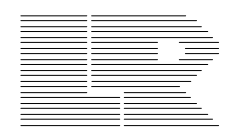
REV. 3.1.9
Size A2

Date 11-3-2005_17:00
Page 12 of 13



HIGH END SYSTEMS INC.

Title: CYBERLIGHT FIXTURE
LOGIC BOARD



Function: ALL BYPASS CAPS 0.1uf 80R319

Drawing No.
80010068

REV.
3.1.9

Size A2

Date 11-3-2005_17:00
Page 13 of 13