

ALPHA SPOT EASY 1200

CHANNEL	Dmx MODALITY		
	Option Stnd	Option 16 b	Option Extn
1	COLOUR WHEEL 1 <input type="text" value="C o l 1"/>	COLOUR WHEEL 1 <input type="text" value="C o l 1"/>	COLOUR WHEEL 1 <input type="text" value="C o l 1"/>
2	COLOUR WHEEL 2 <input type="text" value="C o l 2"/>	COLOUR WHEEL 2 <input type="text" value="C o l 2"/>	COLOUR WHEEL 2 <input type="text" value="C o l 2"/>
3	STOP/STROBE <input type="text" value="S h u t"/>	STOP/STROBE <input type="text" value="S h u t"/>	STOP/STROBE <input type="text" value="S h u t"/>
4	DIMMER <input type="text" value="D i m r"/>	DIMMER <input type="text" value="D i m r"/>	DIMMER <input type="text" value="D i m r"/>
5	IRIS <input type="text" value="I r i s"/>	IRIS <input type="text" value="I r i s"/>	IRIS <input type="text" value="I r i s"/>
6	FIXED GOBO CHANGE <input type="text" value="G o b F"/>	FIXED GOBO CHANGE <input type="text" value="G o b F"/>	FIXED GOBO CHANGE <input type="text" value="G o b F"/>
7	ROTATING GOBO CHANGE <input type="text" value="G o b R"/>	ROTATING GOBO CHANGE <input type="text" value="G o b R"/>	ROTATING GOBO CHANGE <input type="text" value="G o b R"/>
8	GOBO ROTATION <input type="text" value="G o R o"/>	GOBO ROTATION <input type="text" value="G o R o"/>	GOBO ROTATION <input type="text" value="G o R o"/>
9	FROST / PRISM / LENS CHANGE <input type="text" value="F r s t"/>	FROST / PRISM / LENS CHANGE <input type="text" value="F r s t"/>	GOBO FINE
10	FOCUS <input type="text" value="F o c u"/>	FOCUS <input type="text" value="F o c u"/>	FROST / PRISM / LENS CHANGE <input type="text" value="F r s t"/>
11	ZOOM <input type="text" value="Z o o m"/>	ZOOM <input type="text" value="Z o o m"/>	FOCUS <input type="text" value="F o c u"/>
12	PAN <input type="text" value="P a n"/>	PAN <input type="text" value="P a n"/>	ZOOM <input type="text" value="Z o o m"/>
13	TILT <input type="text" value="T i l t"/>	TILT <input type="text" value="T i l t"/>	PAN <input type="text" value="P a n"/>
14	RESET	RESET	PAN-FINE
15	LAMP ON-OFF (with option LDmx ON)	LAMP ON-OFF (with option LDmx ON)	TILT <input type="text" value="T i l t"/>
16		PAN-FINE	TILT FINE
17		TILT FINE	RESET
18		GOBO FINE	LAMP ON-OFF (with option LDmx ON)

• COLOUR WHEEL 1 - channel 1

Operation with option **FuIC Off LinC Off Rain On**



BIT	%	EFFECT
255	100	FAST ROTATION (200 rpm)
128	50.0	SLOW ROTATION (0,2 rpm)
117 - 127	46.0 - 49.7	BLUE + WHITE
108 - 116	42.5 - 45.5	BLUE
99 - 107	38.7 - 42.0	ORANGE + BLUE
90 - 98	35.0 - 38.2	ORANGE
81 - 89	31.7 - 34.7	GREEN + ORANGE
72 - 80	28.2 - 31.2	GREEN
63 - 71	24.7 - 28.0	VIOLET + GREEN
54 - 62	21.2 - 24.2	VIOLET
45 - 53	17.5 - 21.0	YELLOW + VIOLET
36 - 44	14.0 - 17.0	YELLOW
27 - 35	10.5 - 13.7	RED + YELLOW
18 - 26	7.0 - 10.0	RED
9 - 17	3.7 - 6.7	WHITE + RED
0 - 8	0.0 - 3.2	WHITE

Operation with option **LinC On Rain On**



BIT	%	EFFECT
255	100	FAST ROTATION (200 rpm)
128	50.0	SLOW ROTATION (0,2 rpm)
127	49.7	BLUE + WHITE
0	0.0	WHITE

Operation with option **FuIC Off LinC Off Rain Off**



BIT	%	EFFECT
234 - 255	91.7 - 100	BLUE + WHITE
216 - 233	84.7 - 91.2	BLUE
198 - 215	77.5 - 84.2	ORANGE + BLUE
180 - 197	70.5 - 77.00	ORANGE
162 - 179	63.7 - 70.0	GREEN + ORANGE
144 - 161	56.2 - 63.2	GREEN
126 - 143	49.5 - 56.0	VIOLET + GREEN
108 - 125	42.5 - 49.0	VIOLET
90 - 107	35.0 - 42.0	YELLOW + VIOLET
72 - 89	28.2 - 34.7	YELLOW
54 - 71	21.2 - 28.0	RED + YELLOW
36 - 53	14.0 - 21.0	RED
18 - 35	7.0 - 13.7	WHITE + RED
0 - 17	0.0 - 6.7	WHITE

Operation with option **FuIC On LinC Off Rain Off**



BIT	%	EFFECT
216 - 255	84.7 - 100	BLUE
180 - 215	70.5 - 84.2	ORANGE
144 - 179	56.2 - 70.0	GREEN
108 - 143	42.5 - 56.0	VIOLET
72 - 107	28.2 - 42.0	YELLOW
36 - 71	14.0 - 28.0	RED
0 - 35	0.0 - 13.7	WHITE

Operation with option **FuIC On LinC Off Rain On**



BIT	%	EFFECT
255	100	FAST ROTATION (200 rpm)
128	50.0	SLOW ROTATION (0,2 rpm)
108 - 127	42.5 - 49.7	BLUE
90 - 107	35.0 - 42.0	ORANGE
72 - 89	28.2 - 34.7	GREEN
54 - 71	21.2 - 28.0	VIOLET
36 - 53	14.0 - 21.0	YELLOW
18 - 35	7.0 - 13.7	RED
0 - 17	0.0 - 6.7	WHITE

Operation with option **LinC On Rain Off**



BIT	%	EFFECT
255	100	BLUE + WHITE
0	0.0	WHITE

• COLOUR WHEEL 2 - channel 2

Operation with option **FuIC Off LinC Off Rain On**



BIT	%	EFFECT
255	100	FAST ROTATION (200 rpm)
128	50.0	SLOW ROTATION (0,2 rpm)
117 - 127	46.0 - 49.7	PINK + WHITE
108 - 116	42.5 - 45.5	PINK
99 - 107	38.7 - 42.0	LIGHT GREEN + PINK
90 - 98	35.0 - 38.2	LIGHT GREEN
81 - 89	31.7 - 34.7	LIGHT BLUE + LIGHT GREEN
72 - 80	28.2 - 31.2	LIGHT BLUE
63 - 71	24.7 - 28.0	TURQUOISE + LIGHT BLUE
54 - 62	21.2 - 24.2	TURQUOISE
45 - 53	17.5 - 21.0	COLD FILTER + TURQUOISE
36 - 44	14.0 - 17.0	COLD FILTER
27 - 35	10.5 - 13.7	WARM FILTER + COLD FILTER
18 - 26	7.0 - 10.0	WARM FILTER
9 - 17	3.7 - 6.7	WHITE + WARM FILTER
0 - 8	0.0 - 3.2	WHITE

Operation with option **FuIC On LinC Off Rain On**



BIT	%	EFFECT
255	100	FAST ROTATION (200 rpm)
128	50.0	SLOW ROTATION (0,2 rpm)
108 - 127	42.5 - 49.7	PINK
90 - 107	35.0 - 42.0	LIGHT GREEN
72 - 89	28.2 - 34.7	LIGHT BLUE
54 - 71	21.2 - 28.0	TURQUOISE
36 - 53	14.0 - 21.0	COLD FILTER
18 - 35	7.0 - 13.7	WARM FILTER
0 - 17	0.0 - 6.7	WHITE

Operation with option **LinC On Rain On**



BIT	%	EFFECT
255	100	FAST ROTATION (200 rpm)
128 127	50.0 49.7	SLOW ROTATION (0.2 rph) PINK + WHITE
0	0.0	WHITE

Operation with option **FulC Off LinC Off Rain Off**



BIT	%	EFFECT
234 - 255	91.7 - 100	PINK + WHITE
216 - 233	84.7 - 91.2	PINK
198 - 215	77.5 - 84.2	LIGHT GREEN + PINK
180 - 197	70.5 - 77.00	LIGHT GREEN
162 - 179	63.7 - 70.0	LIGHT BLUE + LIGHT GREEN
144 - 161	56.2 - 63.2	LIGHT BLUE
126 - 143	49.5 - 56.0	TURQUOISE + LIGHT BLUE
108 - 125	42.5 - 49.0	TURQUOISE
90 - 107	35.0 - 42.0	COLD FILTER + TURQUOISE
72 - 89	28.2 - 34.7	COLD FILTER
54 - 71	21.2 - 28.0	WARM FILTER + COLD FILTER
36 - 53	14.0 - 21.0	WARM FILTER
18 - 35	7.0 - 13.7	WHITE + WARM FILTER
0 - 17	0.0 - 6.7	WHITE

Operation with option **FulC On LinC Off Rain Off**



BIT	%	EFFECT
216 - 255	84.7 - 100	PINK
180 - 215	70.5 - 84.2	LIGHT GREEN
144 - 179	56.2 - 70.0	LIGHT BLUE
108 - 143	42.5 - 56.0	TURQUOISE
72 - 107	28.2 - 42.0	COLD FILTER
36 - 71	14.0 - 28.0	WARM FILTER
0 - 35	0.0 - 13.7	WHITE

Operation with option **LinC On Rain Off**



BIT	%	EFFECT
255	100	PINK + WHITE
0	0.0	WHITE

• **STOP / STROBE - channel 3**



BIT	%	EFFECT
252 - 255	98.7 - 100	OPEN
232 - 251	91.0 - 98.2	RANDOM FAST STROBE
213 - 231	83.7 - 90.5	RANDOM MEDIUM STROBE
208 - 212	81.7 - 83.2	OPEN
207	81.2	FAST PULSATION
108	42.5	SLOW PULSATION
104 - 107	41.0 - 42.0	OPEN
103	40.5	FAST STROBE (12 flash/sec)
4	1.7	SLOW STROBE (2 flash/sec)
0 - 3	0.0 - 1.2	CLOSED

IMPORTANT: The lamp dim to half power 3 seconds after the channel stay at 0% level. The lamp goes back to full power when the channel level is put higher than 0%.

• **DIMMER - channel 4**



BIT	%	EFFECT
255	100	DIMMER OPEN
0	0.0	DIMMER CLOSED

IMPORTANT: The lamp dim to half power 3 seconds after the channel stay at 0% level. The lamp goes back to full power when the channel level is put higher than 0%.

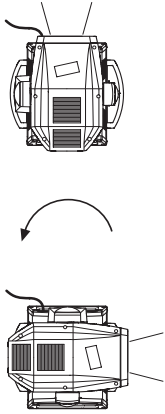
• **IRIS - channel 5**



BIT	%	EFFECT
252 - 255	98.7 - 100	MAXIMUM APERTURE
251	98.2	FAST PULSATION, FAST CLOSING
212	83.2	SLOW PULSATION, FAST CLOSING
211	83	FAST PULSATION, FAST OPENING
172	67.5	SLOW PULSATION, FAST OPENING
171	67	FAST PULSATION
132	51.7	SLOW PULSATION
128 - 131	50.0 - 51.2	MAXIMUM APERTURE
0	0.0	MINIMUM APERTURE

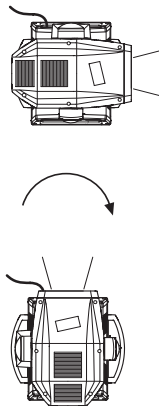
• PAN - channel: 12 (Std) - 12 (16 b) - 13 (Extn)

Operation with option Pan \diamond Off
(Tilt conventionally represented at 15% and option Til \diamond Off)



BIT	%
255	100
0	0.0

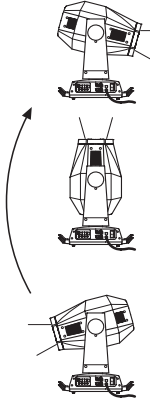
Operation with option Pan \diamond On



BIT	%
255	100
0	0.0


• TILT - channel: 13 (Std) - 13 (16 b) - 15 (Extn)

Operation with option Til \diamond Off
(Pan conventionally represented at 0% and option Pan \diamond Off)



BIT	%
255	100
128	50.0
0	0.0

Operation with option Til \diamond On
(Pan conventionally represented at 0% and option Pan \diamond Off)



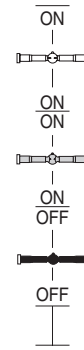
BIT	%
255	100
128	50.0
0	0.0

• RESET - channel: 14 (Std) - 14 (16 b) - 17 (Extn)

BIT	%	EFFECT
255	100	COMPLETE RESET Complete reset is activated passing through the unused range and staying 5 seconds in complete reset levels.
128	50.0	COMPLETE RESET PAN / TILT RESET Pan / Tilt reset is activated passing through the unused range and staying 5 seconds in Pan / Tilt reset levels.
127	49.7	
77	30.0	PAN / TILT RESET EFFECTS RESET Effects reset is activated passing through the unused range and staying 5 seconds in Effects reset levels.
76	29.7	
26	10.0	EFFECTS RESET UNUSED RANGE
25	9.7	
0	0.0	

• LAMP CONTROL (only with option Ldmx On) - channel: 15 (Std) - 15 (16 b) - 18 (Extn)

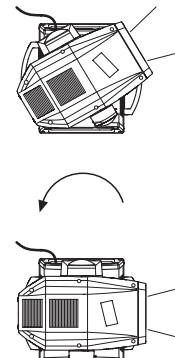
IMPORTANT: Alpha Spot Easy is not provided with hot restrike igniter



BIT	%	EFFECT
255	100	LAMP ON (FULL POWER) Lamp ignition after 10 s in full power levels.
180	70.5	LAMP ON (FULL POWER) LAMP ON (HALF POWER) Immediate transition from full to half power. Lamp ignition not allowed in half power.
179	70.0	
101	39.5	LAMP ON (HALF POWER) LAMP OFF Lamp switch off passing through the unused range and staying 5 s in Lamp OFF levels.
100	39.0	
26	10.0	LAMP OFF UNUSED RANGE
25	9.7	
0	0.0	

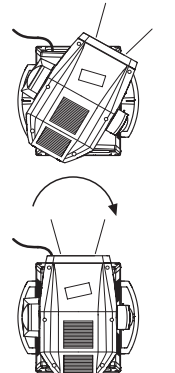
• PAN FINE - channel: 16 (16 b) - 14 (Extn)

Operation with option Pan \diamond Off
(Tilt conventionally represented at 15% and option Til \diamond Off)



BIT	%
255	100
0	0.0

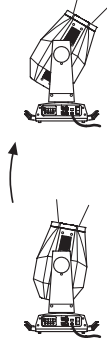
Operation with option Pan \diamond On
(Tilt conventionally represented at 15% and option Til \diamond Off)



BIT	%
255	100
0	0.0

• **TILT FINE - channel: 17 (16 b) - 16 (Extn)**

Operation with option *Til* ⚡ Off
 (Pan conventionally represented
 at 0% and option *Pan* ⚡ Off)



BIT	%
255	100
0	0.0

Operation with option *Til* ⚡ On
 (Pan conventionally represented
 at 0% and option *Pan* ⚡ Off)



BIT	%
255	100
0	0.0

• **GOBO FINE - channel: 18 (16 b) - 9 (Extn)**



BIT	%
255	100
127	50.0
0	0.0